

FIRST FLOOR FRAMING PLAN

- NOTES: 1) T.O.S. ELEVATION (+21'-2 3/4") U.N.O. ON PLAN
 2) (-) DENOTES NUMBER OF 3/4" SHEAR STUDS
 3) ALL W SHAPE STEEL TO BE A572 GR.50 U.N.O.
 ALL TUBE STEEL TO BE A500 U.N.O.
 ALL PIPE STEEL TO BE A501 U.N.O.
 4) ALL BOLTS TO BE 3/4" A325-SC U.N.O.
 5) FOR BRACE FRAMES SEE DWG. NO. E6
 6) FOR TRUSSES SEE DWG. NO. E8
 7) [+X'-X"] INDICATES TOP OF BEARING R.

APPROVAL/REVIEW AUTHORITY:
 PLEASE REVIEW THIS DRAWING CAREFULLY.
 IT REPRESENTS OUR INTERPRETATION OF THE INTENT OF THE CONTRACT DOCUMENTS. HOWEVER, THE STEEL FABRICATOR AND THE STRUCTURAL STEEL DETAILER ASSUME NO RESPONSIBILITY FOR THE ACCURACY OF THE INFORMATION SHOWN ON THIS DRAWING. THIS IS THE RESPONSIBILITY OF THE BUYER.
 IT WILL BE ASSUMED THAT ALL INFORMATION SHOWN HEREIN HAS THE AFFIRMATION OF THE APPROVAL AUTHORITY UNLESS NOTED TO THE CONTRARY ON THIS DRAWING WHEN IT IS RETURNED FROM APPROVAL.
 SUBSEQUENT CHANGES TO INFORMATION SHOWN ON THESE DRAWINGS AFTER FIRST SUBMISSION WILL BE CONSIDERED AS CONTRACT CHANGES.
 ADOPTED BY THE NATIONAL INSTITUTE OF STEEL DETAILING 1977.

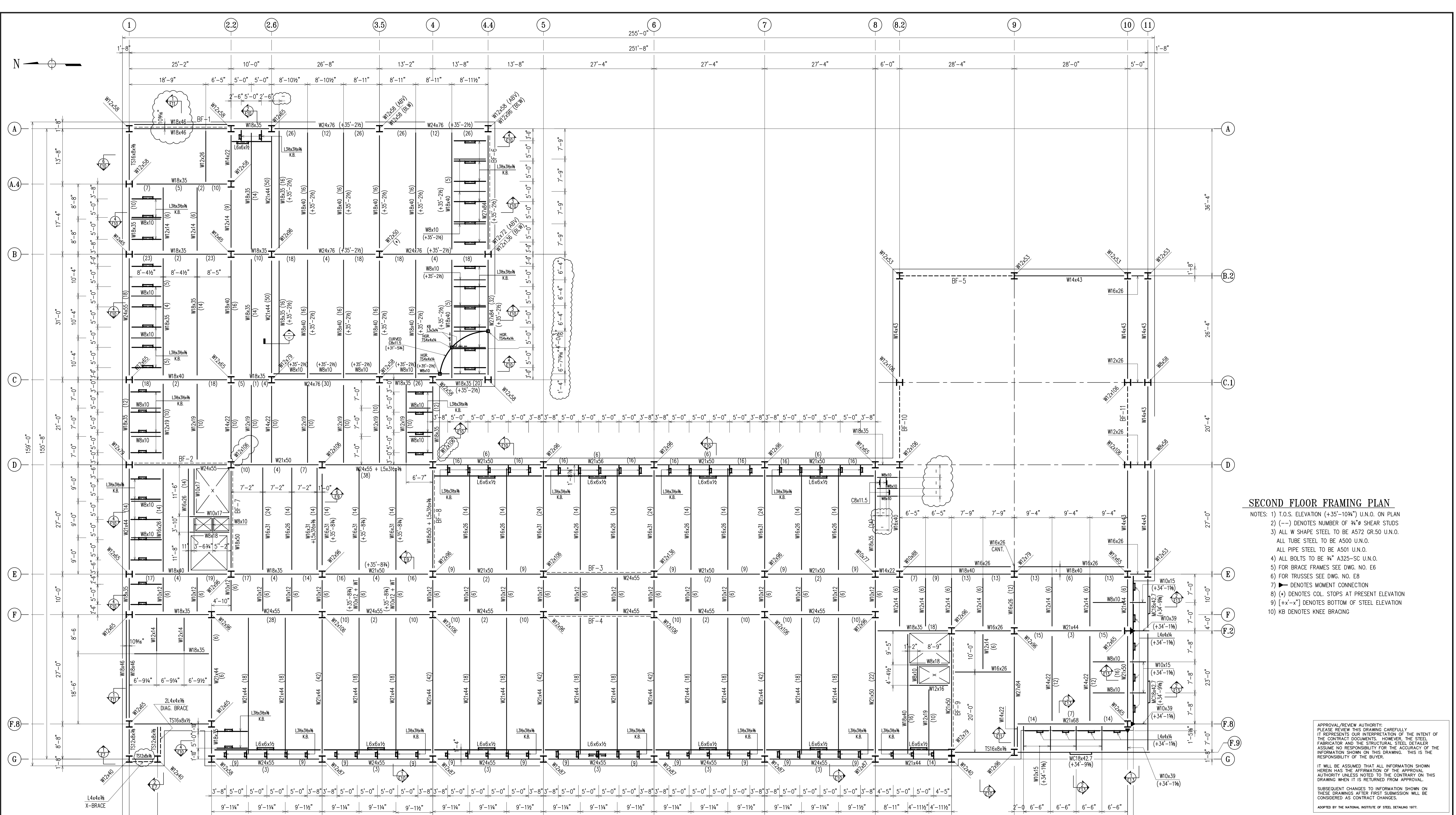
PAINT: ONE SHOP COAT U/NOTED					FOR FIELD
MATERIAL: A36 U/NOTED					4th APPVL
HOLES: 13/16 U/NOTED					3rd APPVL
ELECTRODES: E70XX					2nd APPVL
TOTAL WEIGHT	NO DATE	DESCRIPTION	NO DATE	DESCRIPTION	1st APPVL
REVISIONS					DATE
CUSTOMER:					ISSUE

DRAWINGS PREPARED BY:
 DIVISION FIVE DETAILING INC.
 1770 Gallagher Drive
 Vineland, New Jersey 08360
 Phone: (856) 794-9474
 Fax: (856) 696-2027

WEIR WELDING CO. INC.
 316 12th STREET CARLSTADT, NJ 07072
 PHONE: (201) 939-2284 FAX: (201) 939-5525

PROJECT: P.S. 253-0	CONTRACT NO: S-642
LOCATION: FAR ROCKAWAY, QUEENS, NY	DWG NO
DWG TITLE: FIRST FLOOR FRAMING PLAN	E1

PLEASE VERIFY/SUPPLY CLOUDED DIMS



SECOND FLOOR FRAMING PLAN

- NOTES:
- 1) T.O.S. ELEVATION (+35'-10 3/4") U.N.O. ON PLAN
 - 2) (--) DENOTES NUMBER OF 3/4" Ø SHEAR STUDS
 - 3) ALL W SHAPE STEEL TO BE A572 GR.50 U.N.O. ALL TUBE STEEL TO BE A500 U.N.O. ALL PIPE STEEL TO BE A501 U.N.O.
 - 4) ALL BOLTS TO BE 3/4" A325-SC U.N.O.
 - 5) FOR BRACE FRAMES SEE DWG. NO. E6
 - 6) FOR TRUSSES SEE DWG. NO. E8
 - 7) ▶ DENOTES MOMENT CONNECTION
 - 8) (+) DENOTES COL. STOPS AT PRESENT ELEVATION
 - 9) [+x'-x"] DENOTES BOTTOM OF STEEL ELEVATION
 - 10) KB DENOTES KNEE BRACING

APPROVAL/REVIEW AUTHORITY:
 IT REPRESENTS OUR INTERPRETATION OF THE INTENT OF THE CONTRACT DOCUMENTS. HOWEVER, THE STEEL FABRICATOR AND THE STRUCTURAL STEEL DETAILER ASSUME NO RESPONSIBILITY FOR THE ACCURACY OF THE INFORMATION SHOWN ON THIS DRAWING. THIS IS THE RESPONSIBILITY OF THE BUYER.

IT WILL BE ASSUMED THAT ALL INFORMATION SHOWN HEREIN HAS THE AFFIRMATION OF THE APPROVAL AUTHORITY UNLESS NOTED TO THE CONTRARY ON THIS DRAWING WHEN IT IS RETURNED FOR APPROVAL.

SUBSEQUENT CHANGES TO INFORMATION SHOWN ON THESE DRAWINGS AFTER FIRST SUBMISSION WILL BE CONSIDERED AS CONTRACT CHANGES.

ADOPTED BY THE NATIONAL INSTITUTE OF STEEL DETAILING 1977.

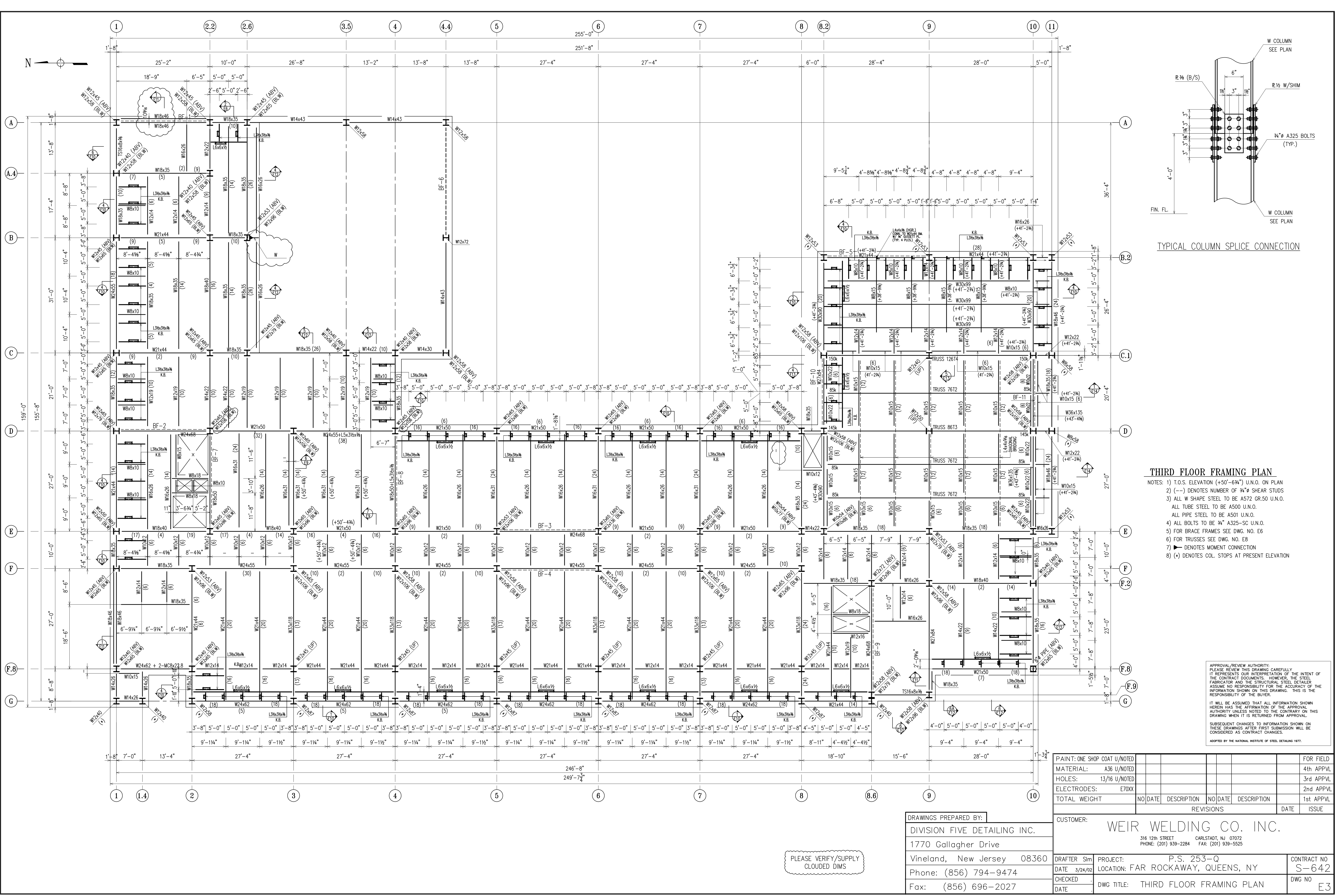
PAINT: ONE SHOP COAT U/NOTED				FOR FIELD
MATERIAL: A36 U/NOTED				4th APPVL
HOLES: 13/16 U/NOTED				3rd APPVL
ELECTRODES: E70XX				2nd APPVL
TOTAL WEIGHT	NO DATE	DESCRIPTION	NO DATE	DESCRIPTION
	REVISIONS		DATE	ISSUE

DRAWINGS PREPARED BY:
 DIVISION FIVE DETAILING INC.
 1770 Gallagher Drive
 Vineland, New Jersey 08360
 Phone: (856) 794-9474
 Fax: (856) 696-2027

CUSTOMER:
WEIR WELDING CO. INC.
 316 12th STREET CARLSTADT, NJ 07072
 PHONE: (201) 939-2284 FAX: (201) 939-5525

DRAFTER SIm	PROJECT: P.S. 253-Q	CONTRACT NO
DATE 3/23/02	LOCATION: FAR ROCKAWAY, QUEENS, NY	S-642
CHECKED	DWG TITLE: SECOND FLOOR FRAMING PLAN	DWG NO
DATE		E2

PLEASE VERIFY/SUPPLY CLOUDED DIMS



THIRD FLOOR FRAMING PLAN

- NOTES: 1) T.O.S. ELEVATION (+50'-6 3/4") U.N.O. ON PLAN
 2) (---) DENOTES NUMBER OF 3/4" SHEAR STUDS
 3) ALL W SHAPE STEEL TO BE A572 GR.50 U.N.O.
 ALL TUBE STEEL TO BE A500 U.N.O.
 ALL PIPE STEEL TO BE A501 U.N.O.
 4) ALL BOLTS TO BE 3/4" A325-SC U.N.O.
 5) FOR BRACE FRAMES SEE DWG. NO. E6
 6) FOR TRUSSES SEE DWG. NO. E8
 7) (M) DENOTES MOMENT CONNECTION
 8) (C) DENOTES COL. STOPS AT PRESENT ELEVATION

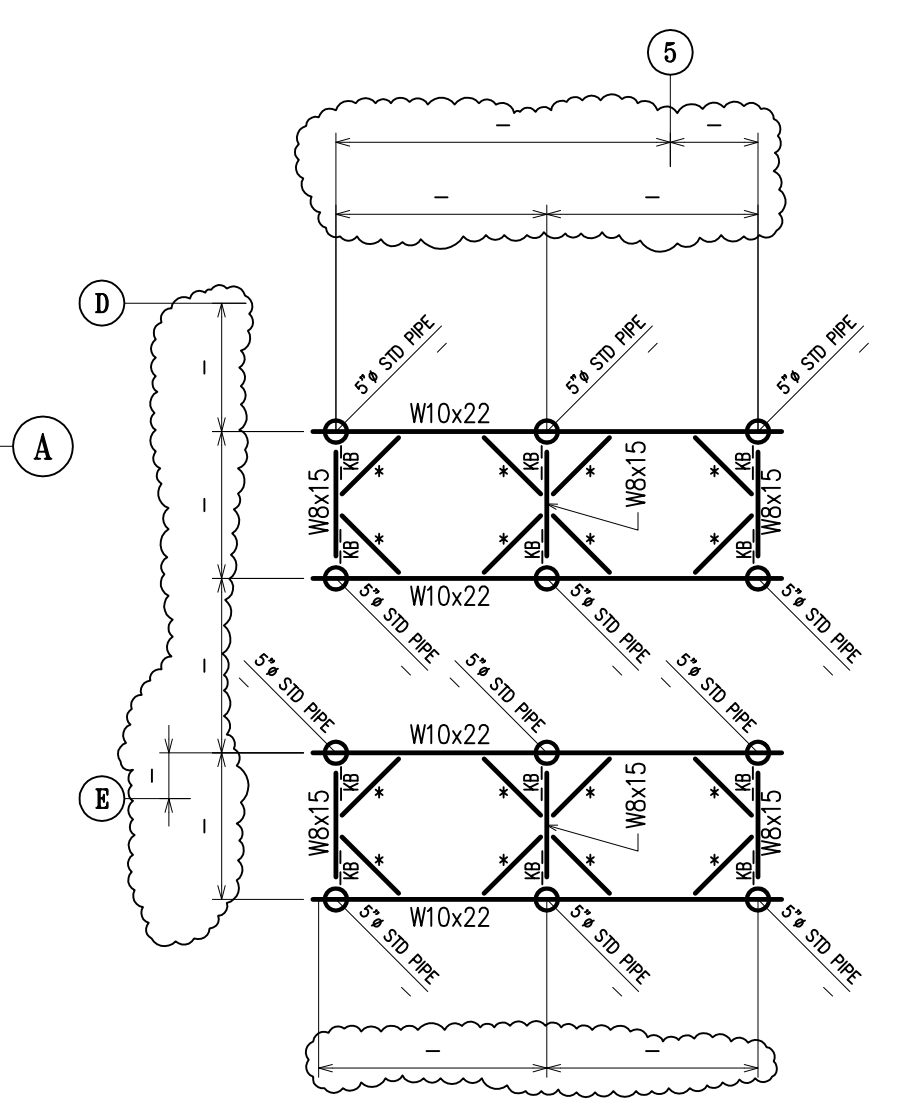
APPROVAL/REVIEW AUTHORITY:
 IT REPRESENTS OUR INTERPRETATION OF THE INTENT OF THE CONTRACT DOCUMENTS. HOWEVER, THE STEEL FABRICATOR AND THE STRUCTURAL STEEL DETAILER ASSUME NO RESPONSIBILITY FOR THE ACCURACY OF THE INFORMATION SHOWN ON THIS DRAWING. THIS IS THE RESPONSIBILITY OF THE BUYER.
 IT WILL BE ASSUMED THAT ALL INFORMATION SHOWN HEREIN HAS THE AFFIRMATION OF THE APPROVAL AUTHORITY UNLESS NOTED TO THE CONTRARY ON THIS DRAWING WHEN IT IS RETURNED FROM APPROVAL.
 SUBSEQUENT CHANGES TO INFORMATION SHOWN ON THESE DRAWINGS AFTER FIRST SUBMISSION SHALL BE CONSIDERED AS CONTRACT CHANGES.
 ADOPTED BY THE NATIONAL INSTITUTE OF STEEL DETAILING 1977.

PAINT: ONE SHOP COAT U/NOTED					FOR FIELD
MATERIAL: A36 U/NOTED					4th APPVL
HOLES: 13/16 U/NOTED					3rd APPVL
ELECTRODES: E70XX					2nd APPVL
TOTAL WEIGHT	NO DATE	DESCRIPTION	NO DATE	DESCRIPTION	1st APPVL
REVISIONS					DATE
CUSTOMER: WEIR WELDING CO. INC.					
316 12th STREET CARLSTADT, NJ 07072					
PHONE: (201) 939-2284 FAX: (201) 939-5525					

DRAWINGS PREPARED BY:
 DIVISION FIVE DETAILING INC.
 1770 Gallagher Drive
 Vineland, New Jersey 08360
 Phone: (856) 794-9474
 Fax: (856) 696-2027

DRAFTER SIm	PROJECT: P.S. 253-Q	CONTRACT NO
DATE 3/24/02	LOCATION: FAR ROCKAWAY, QUEENS, NY	S-642
CHECKED	DWG TITLE: THIRD FLOOR FRAMING PLAN	DWG NO
DATE		E.3

PLEASE VERIFY/CLOUD DIMS



DUNNAGE FRAMING PLAN
AT CU-1 & CU-2

- NOTES: 1) T.O.S. EL. (+68'-6")
 2) * DENOTES L4x4x3/8 BRACE
 3) KB DENOTES KNEE BRACE L3/8x3/8x3/8 (SEE SECTION 4/E11)

MAIN ROOF & PENTHOUSE FLOOR FRAMING PLAN

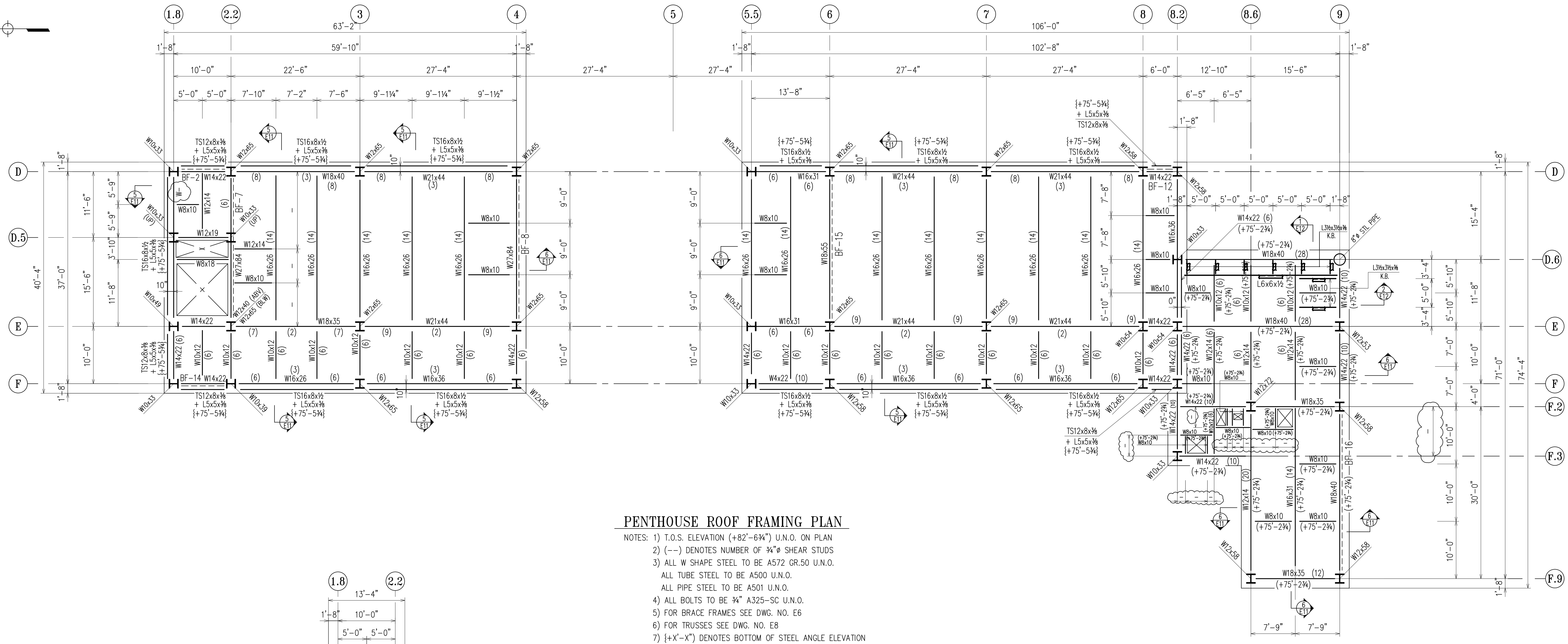
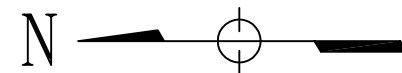
- NOTES: 1) T.O.S. ELEVATION (+65'-2 1/2") U.N.O. ON PLAN
 2) (-) DENOTES NUMBER OF 3/4" SHEAR STUDS
 3) ALL W SHAPE STEEL TO BE A572 GR.50 U.N.O.
 ALL TUBE STEEL TO BE A500 U.N.O.
 ALL PIPE STEEL TO BE A501 U.N.O.
 4) ALL BOLTS TO BE 3/4" A325-SC U.N.O.
 5) FOR BRACE FRAMES SEE DWG. NO. E6
 6) FOR TRUSSES SEE DWG. NO. E8

PLEASE VERIFY/SUPPLY
CLOUDED DIMS

DRAWINGS PREPARED BY:
 DIVISION FIVE DETAILING INC.
 1770 Gallagher Drive
 Vineland, New Jersey 08360
 Phone: (856) 794-9474
 Fax: (856) 696-2027

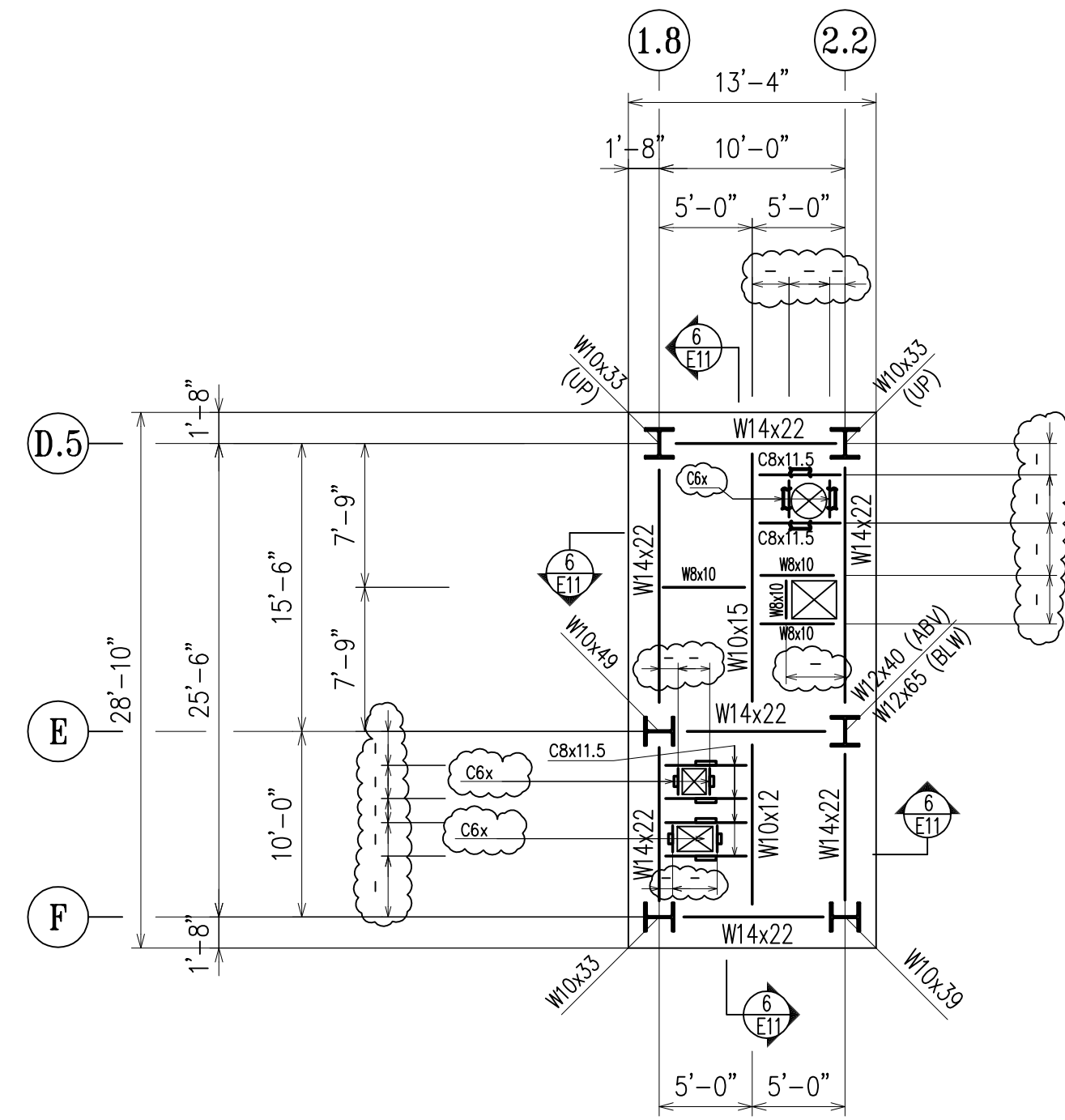
PAINT: ONE SHOP COAT U/NOTED		FOR FIELD	
MATERIAL: A36 U/NOTED		4th APPVL	
HOLES: 13/16 U/NOTED		3rd APPVL	
ELECTRODES: E70XX		2nd APPVL	
TOTAL WEIGHT	NO DATE	DESCRIPTION	NO DATE
		REVISIONS	
		DATE	
CUSTOMER:		WEIR WELDING CO. INC.	
		316 12th STREET CARLSTADT, NJ 07072	
		PHONE: (201) 939-2284 FAX: (201) 939-5525	
DRAFTER SCH	PROJECT:	P.S. 253-Q	
DATE 3/14/02	LOCATION:	FAR ROCKAWAY, QUEENS, NY	
CHECKED	DWG TITLE:	MAIN ROOF & PENTHOUSE FLOOR FRAMING PLAN	
DATE		CONTRACT NO	S-642
		DWG NO	E4

APPROVAL/REVIEW AUTHORITY:
 PLEASE REVIEW THIS DRAWING CAREFULLY.
 IT REPRESENTS OUR INTERPRETATION OF THE INTENT OF THE CONTRACT DOCUMENTS. HOWEVER, THE STEEL FABRICATOR AND THE STRUCTURAL STEEL DETAILER ASSUME NO RESPONSIBILITY FOR THE ACCURACY OF THE INFORMATION SHOWN ON THIS DRAWING. THIS IS THE RESPONSIBILITY OF THE BUYER.
 IT WILL BE ASSUMED THAT ALL INFORMATION SHOWN HEREIN HAS THE AFFIRMATION OF THE APPROVAL AUTHORITY UNLESS NOTED TO THE CONTRARY ON THIS DRAWING WHEN IT IS RETURNED FOR APPROVAL.
 SUBSEQUENT CHANGES TO INFORMATION SHOWN ON THESE DRAWINGS AFTER FIRST SUBMISSION WILL BE CONSIDERED AS CONTRACT CHANGES.
 ADOPTED BY THE NATIONAL INSTITUTE OF STEEL DETAILING 1977.



PENTHOUSE ROOF FRAMING PLAN

- NOTES: 1) T.O.S. ELEVATION (+82'-6 3/4") U.N.O. ON PLAN
 2) (-) DENOTES NUMBER OF 3/8" SHEAR STUDS
 3) ALL W SHAPE STEEL TO BE A572 GR.50 U.N.O.
 ALL TUBE STEEL TO BE A500 U.N.O.
 ALL PIPE STEEL TO BE A501 U.N.O.
 4) ALL BOLTS TO BE 3/4" A325-SC U.N.O.
 5) FOR BRACE FRAMES SEE DWG. NO. E6
 6) FOR TRUSSES SEE DWG. NO. E8
 7) {+X'-X"} DENOTES BOTTOM OF STEEL ANGLE ELEVATION



ELEVATOR MACHINE ROOM FRAMING PLAN

- NOTES: 1) T.O.S. ELEVATION (+92'-6 3/4") U.N.O. ON PLAN
 2) ALL W SHAPE STEEL TO BE A572 GR.50 U.N.O.
 ALL TUBE STEEL TO BE A500 U.N.O.
 ALL PIPE STEEL TO BE A501 U.N.O.
 3) ALL BOLTS TO BE 3/4" A325-SC U.N.O.

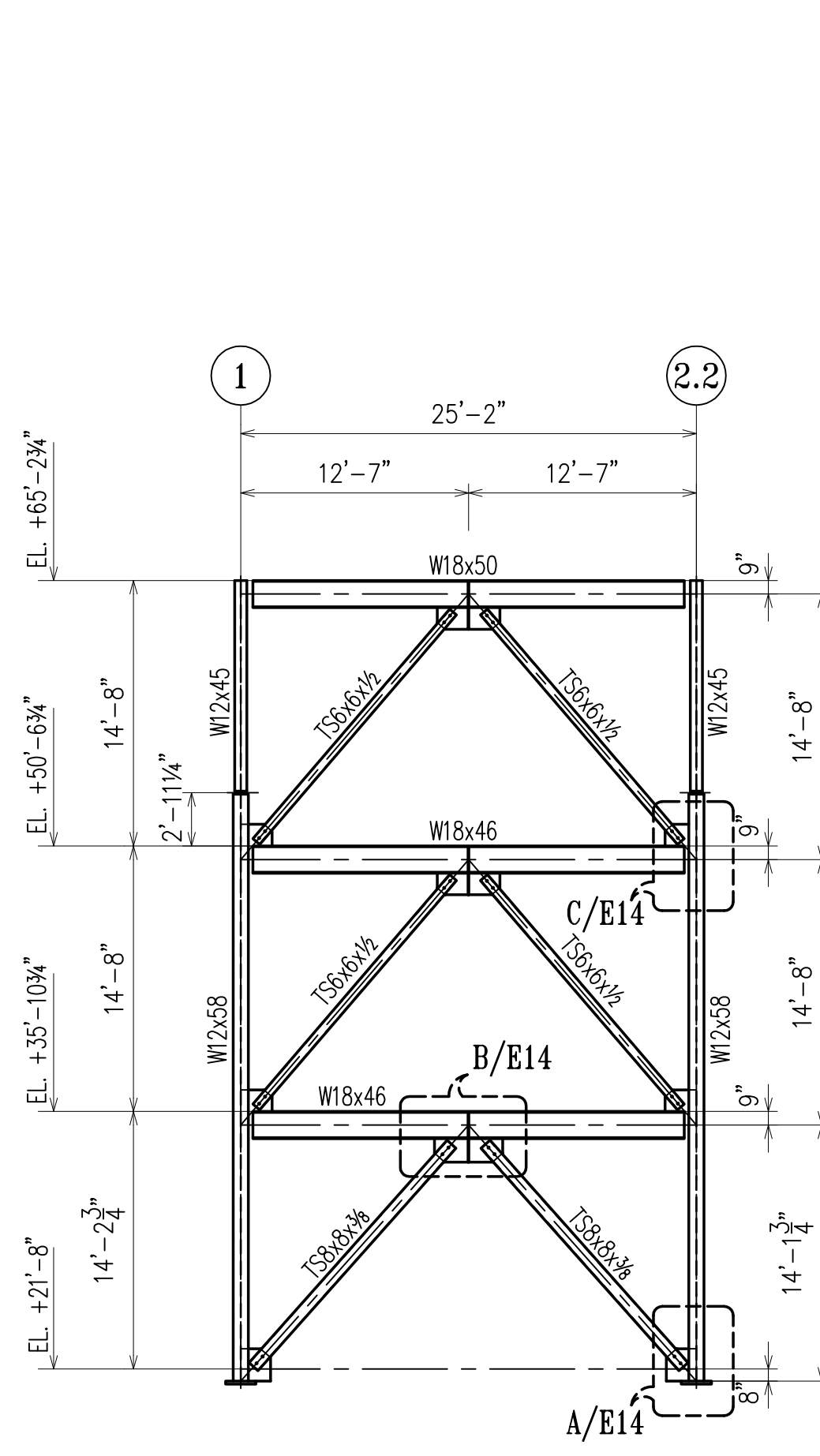
PLEASE VERIFY/SUPPLY CLOUDED DIMS

APPROVAL/REVIEW AUTHORITY:
 PLEASE REVIEW THIS DRAWING CAREFULLY. IT REPRESENTS OUR INTERPRETATION OF THE INTENT OF THE CONTRACT DOCUMENTS. HOWEVER, THE STEEL FABRICATOR AND THE STRUCTURAL STEEL DETAILER ASSUME NO RESPONSIBILITY FOR THE ACCURACY OF THE INFORMATION SHOWN ON THIS DRAWING. THIS IS THE RESPONSIBILITY OF THE BUYER.
 IT WILL BE ASSUMED THAT ALL INFORMATION SHOWN HEREIN HAS THE AFFIRMATION OF THE APPROVAL AUTHORITY UNLESS NOTED TO THE CONTRARY ON THIS DRAWING WHEN IT IS RETURNED FOR APPROVAL.
 SUBSEQUENT CHANGES TO INFORMATION SHOWN ON THESE DRAWINGS AFTER FIRST SUBMISSION WILL BE CONSIDERED AS CONTRACT CHANGES.
 ADOPTED BY THE NATIONAL INSTITUTE OF STEEL DETAILING 1977.

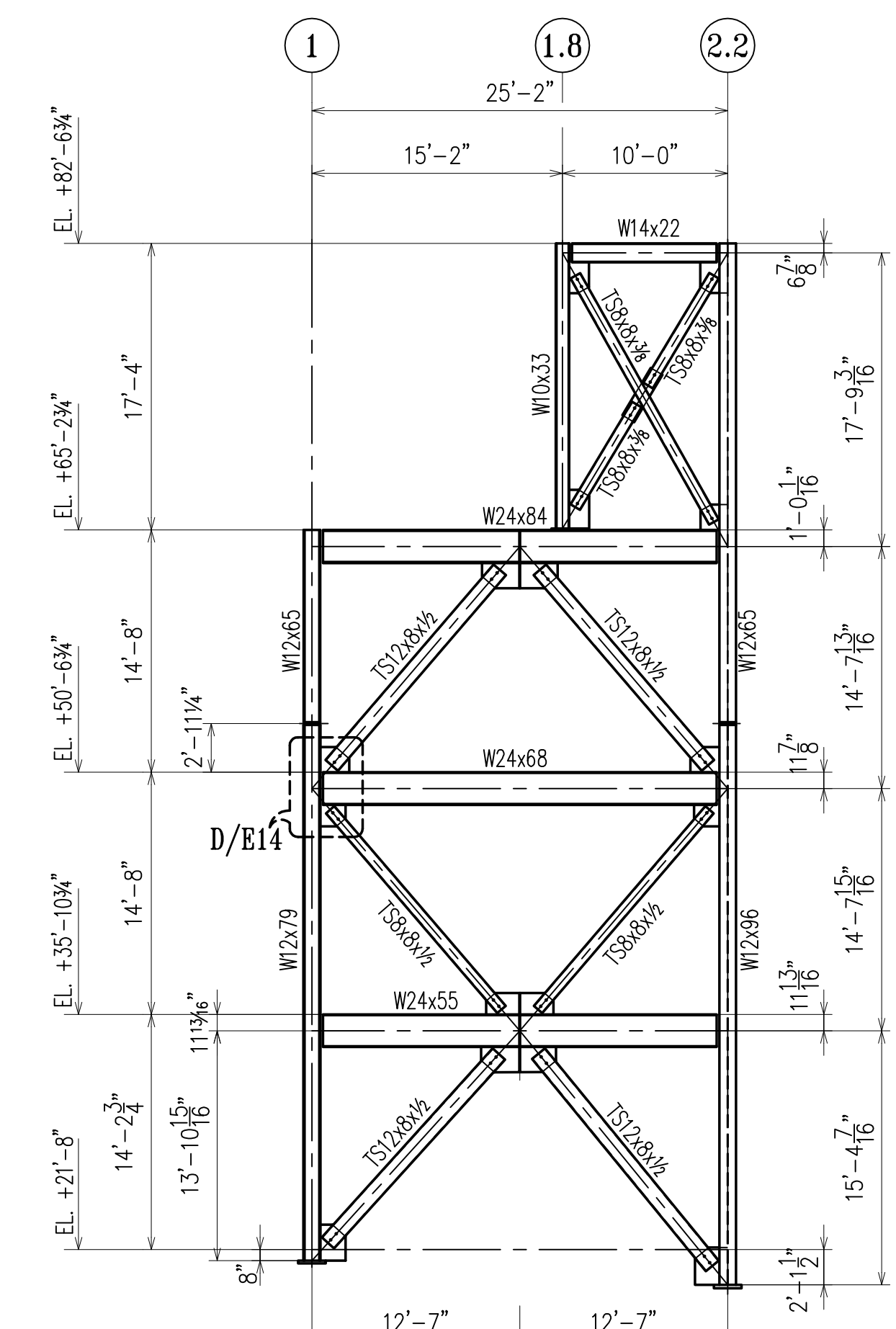
DRAWINGS PREPARED BY: []

DIVISION FIVE DETAILING INC.
 1770 Gallagher Drive
 Vineland, New Jersey 08360
 Phone: (856) 794-9474
 Fax: (856) 696-2027

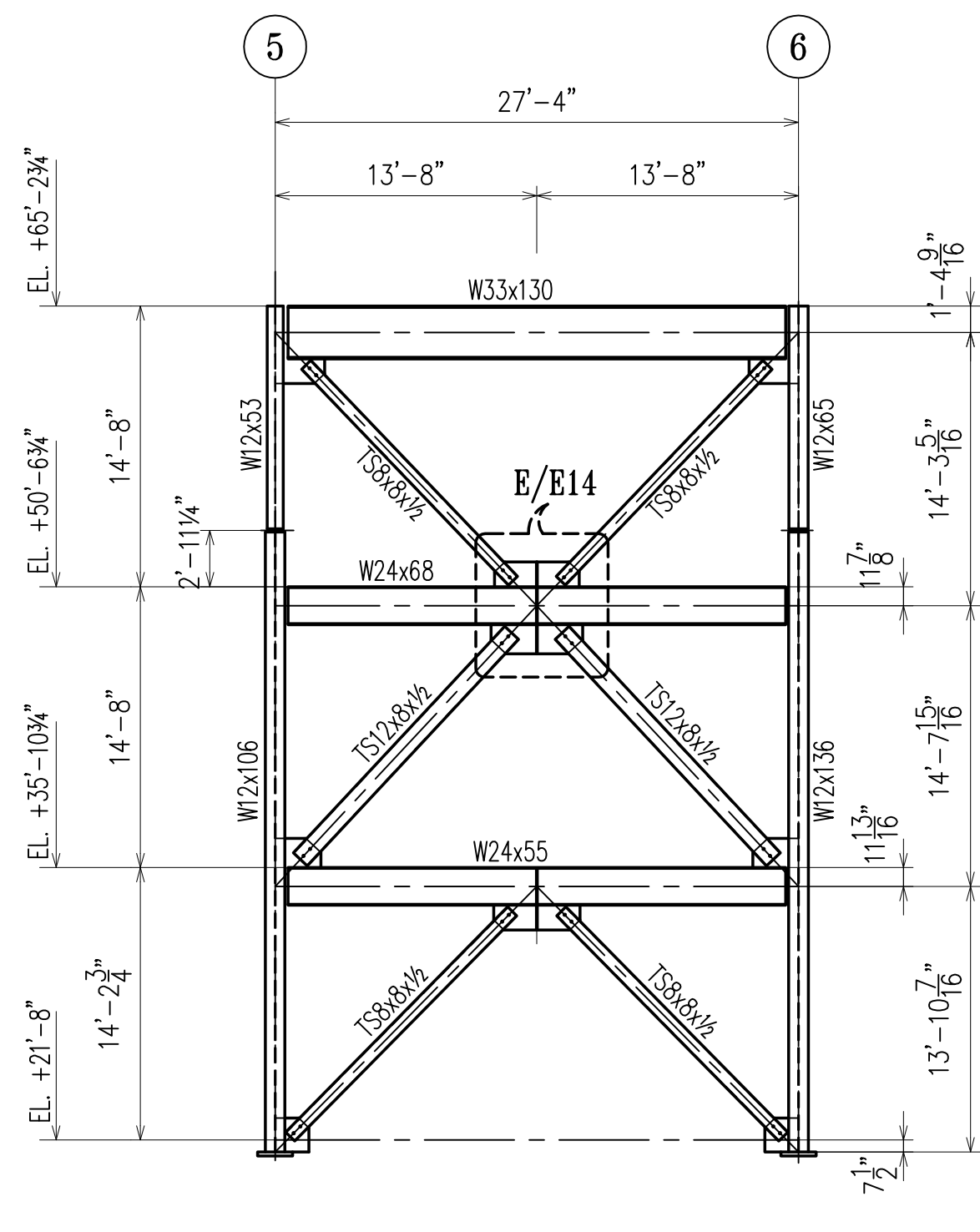
PAIN: ONE SHOP COAT U/NOTED					FOR FIELD
MATERIAL: A36 U/NOTED					4th APPVL
HOLES: 13/16 U/NOTED					3rd APPVL
ELECTRODES: E70XX					2nd APPVL
TOTAL WEIGHT	NO DATE	DESCRIPTION	NO DATE	DESCRIPTION	1st APPVL
	REVISIONS				DATE
CUSTOMER: WEIR WELDING CO. INC.					
316 12th STREET CARLSTADT, NJ 07072 PHONE: (201) 939-2284 FAX: (201) 939-5525					
DRAFTER SIm	PROJECT: P.S. 253-Q	CONTRACT NO			
DATE 3/28/02	LOCATION: FAR ROCKAWAY, QUEENS, NY	S-642			
CHECKED	DWG TITLE: PENTHOUSE ROOF & ELEVATOR MACHINE ROOM FRAMING PLAN	DWG NO			
DATE		E5			



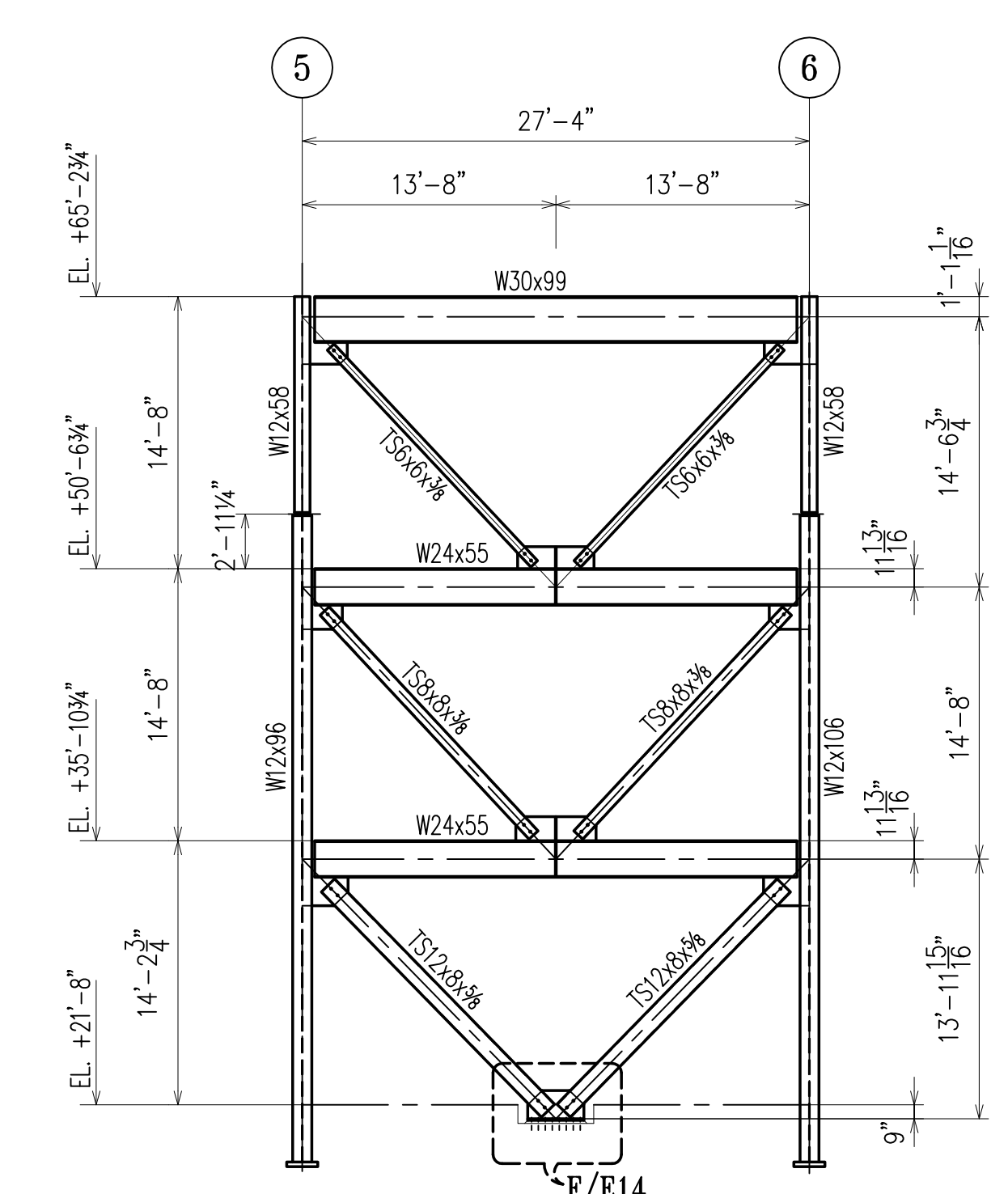
BF-1 (LINE A)



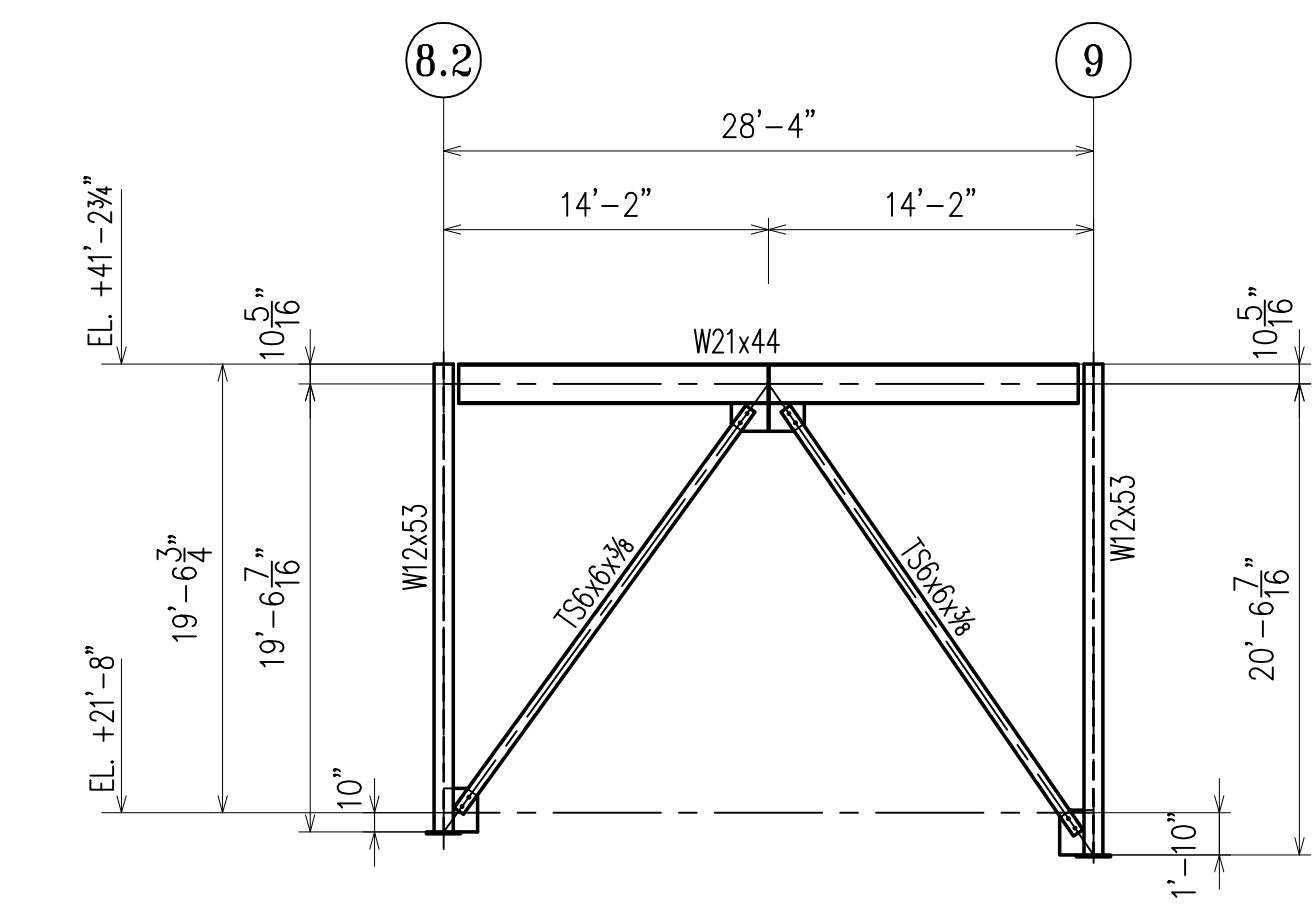
BF-2 (LINE D)



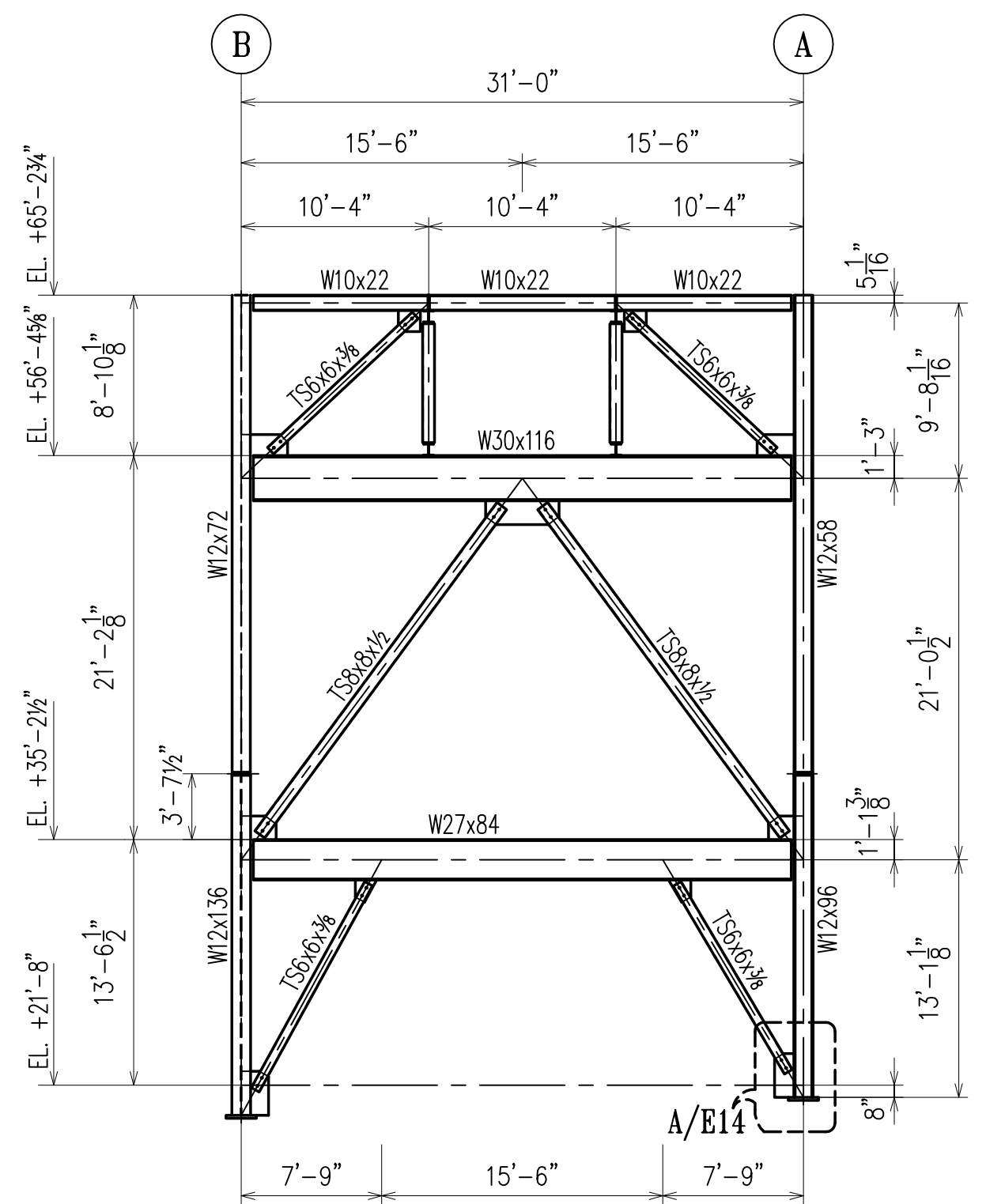
BF-3 (LINE E)



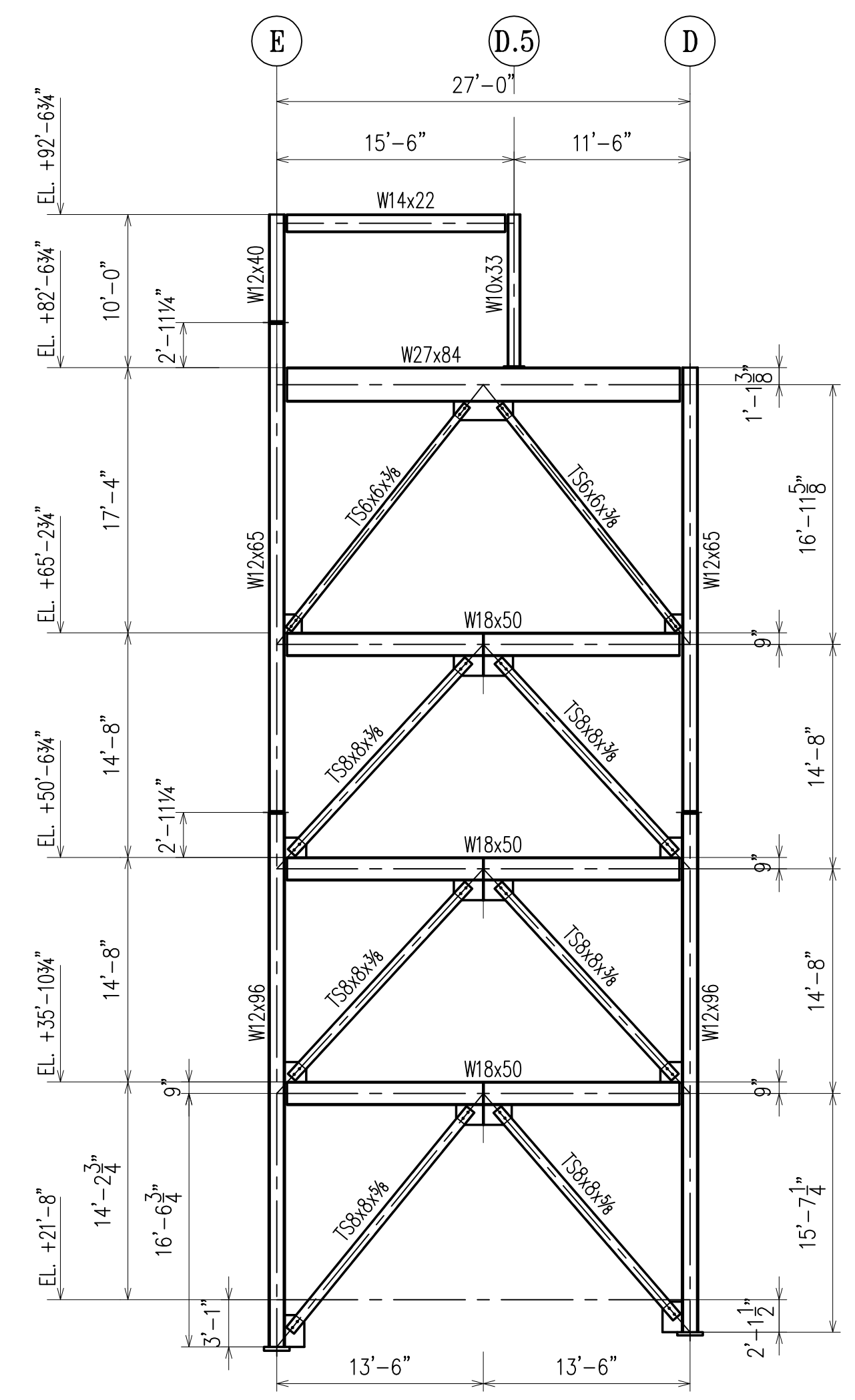
BF-4 (LINE F)



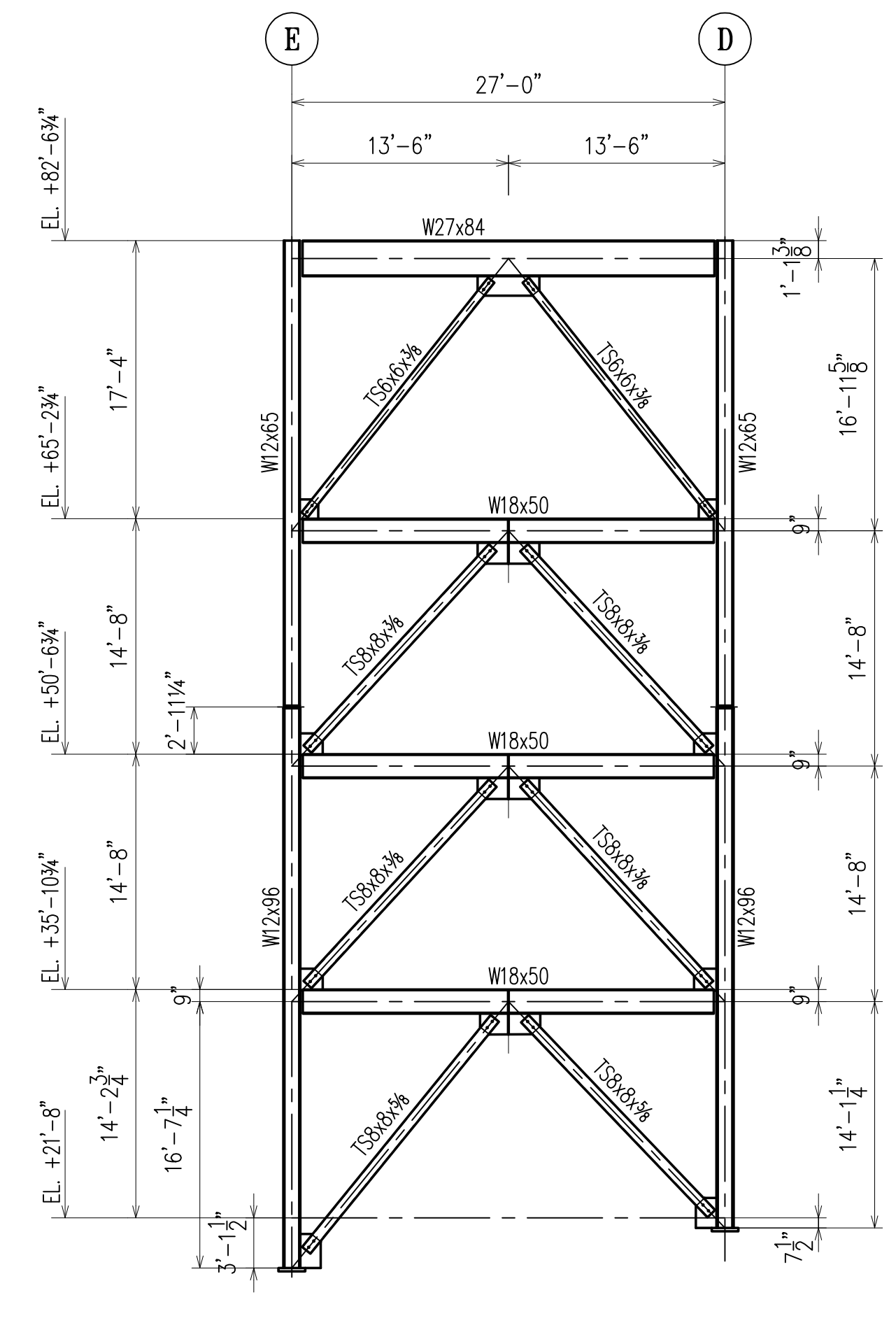
BF-5 (LINE B.2)



BF-6 (LINE 4.4)



BF-7 (LINE 2.2)



BF-8 (LINE 4)

PLEASE VERIFY/SUPPLY CLOUDED DIMS

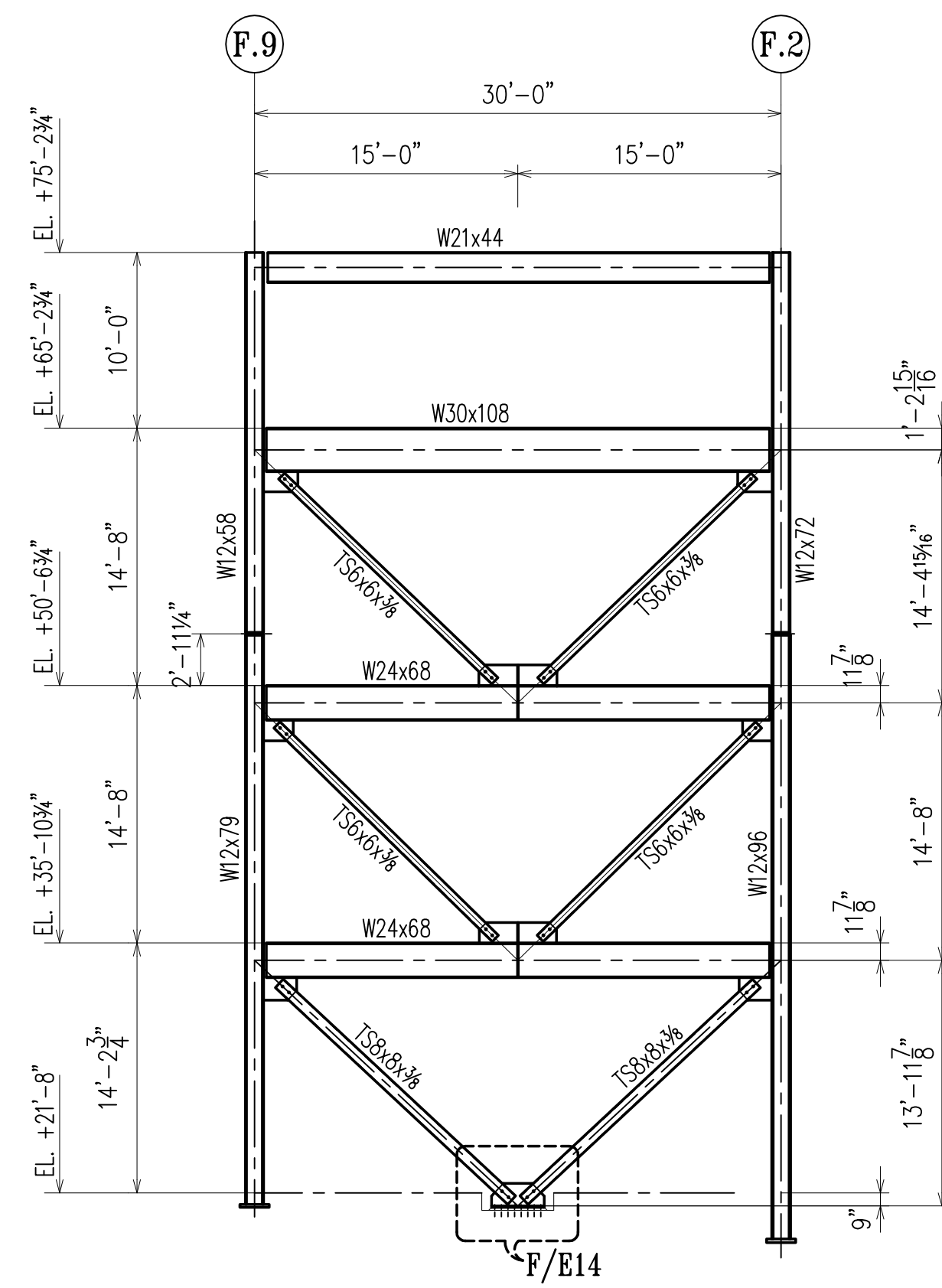
DRAWINGS PREPARED BY:
 DIVISION FIVE DETAILING INC.
 1770 Gallagher Drive
 Vineland, New Jersey 08360
 Phone: (856) 794-9474
 Fax: (856) 696-2027

PAIN: ONE SHOP COAT U/NOTED						FOR FIELD
MATERIAL: A36 U/NOTED						4th APPVL
HOLES: 13/16 U/NOTED						3rd APPVL
ELECTRODES: E70XX						2nd APPVL
TOTAL WEIGHT	NO DATE	DESCRIPTION	NO DATE	DESCRIPTION		1st APPVL
	REVISIONS				DATE	ISSUE

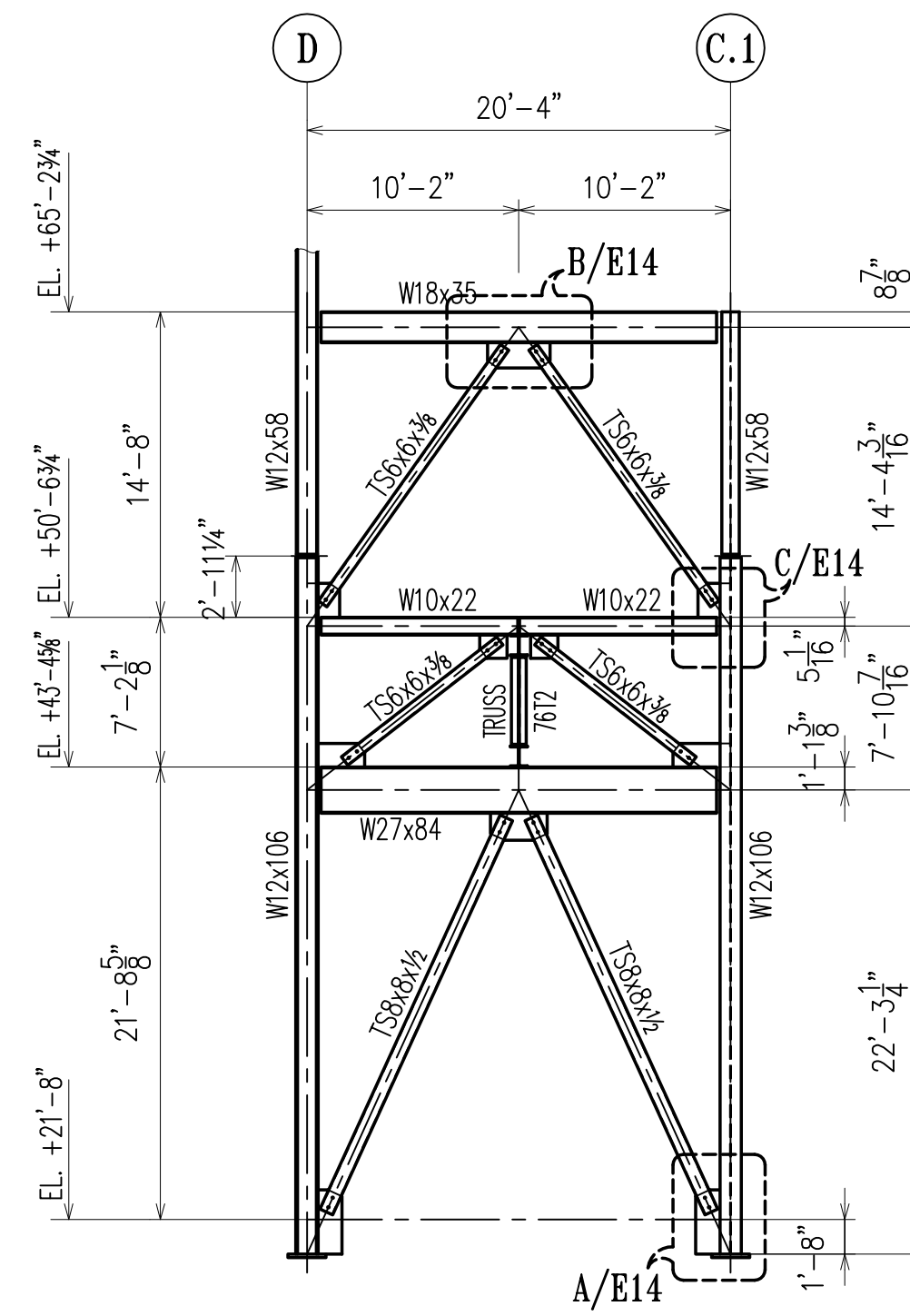
CUSTOMER: **WEIR WELDING CO. INC.**
 316 12th STREET CARLSTADT, NJ 07072
 PHONE: (201) 939-2284 FAX: (201) 939-5525

DRAFTER SIm	PROJECT: P.S. 253-Q	CONTRACT NO
DATE 3/28/02	LOCATION: FAR ROCKAWAY, QUEENS, NY	S-642
CHECKED	DWG TITLE: BRACED FRAMES	DWG NO
DATE		E6

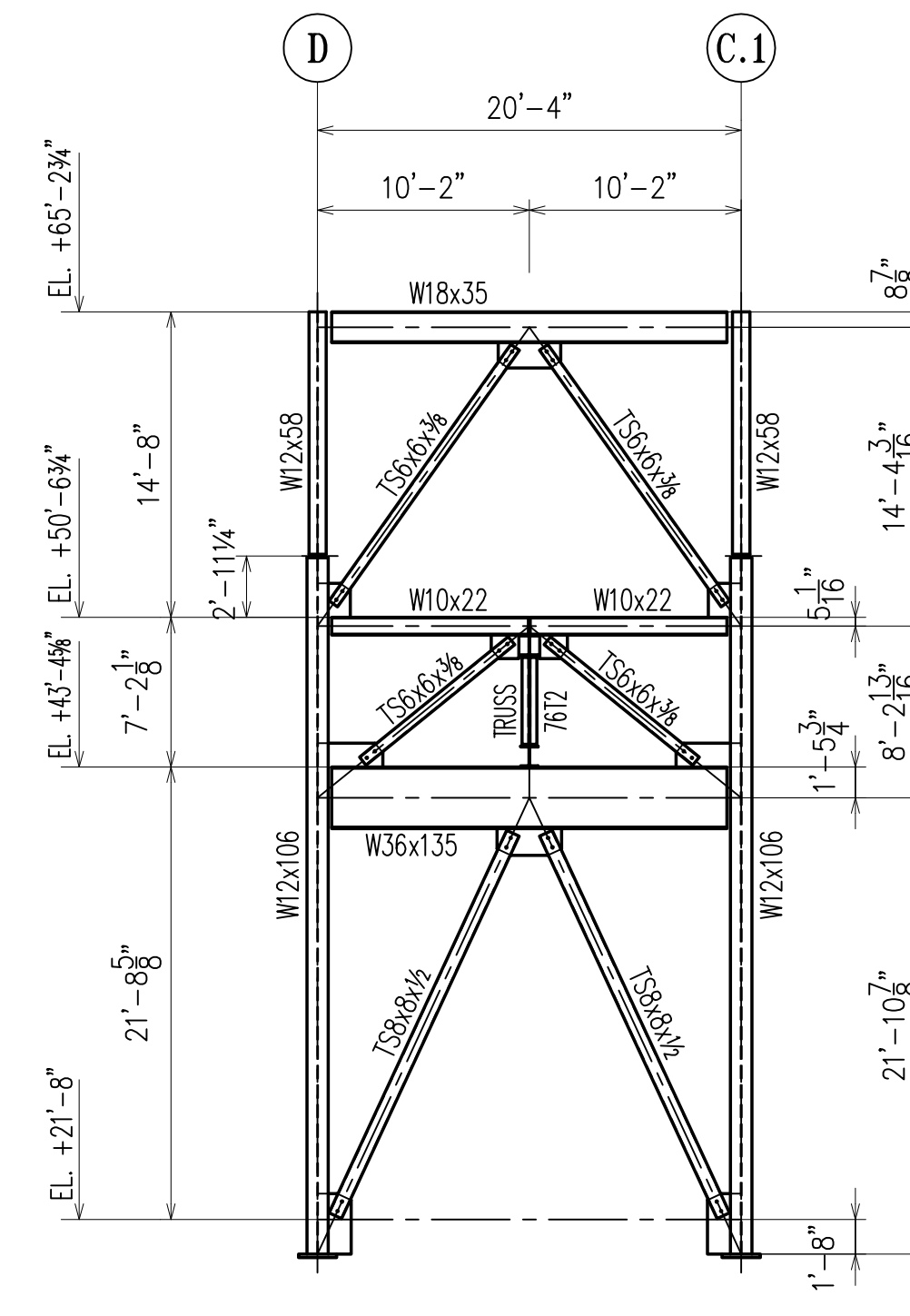
APPROVAL/REVIEW AUTHORITY:
 PLEASE REVIEW THIS DRAWING CAREFULLY.
 IT REPRESENTS OUR INTERPRETATION OF THE INTENT OF THE CONTRACT DOCUMENTS. HOWEVER, THE STEEL FABRICATOR AND THE STRUCTURAL STEEL DETAILER ASSUME NO RESPONSIBILITY FOR THE ACCURACY OF THE INFORMATION SHOWN ON THIS DRAWING. THIS IS THE RESPONSIBILITY OF THE BUYER.
 IT WILL BE ASSUMED THAT ALL INFORMATION SHOWN HEREIN HAS THE AFFIRMATION OF THE APPROVAL AUTHORITY UNLESS NOTED TO THE CONTRARY ON THIS DRAWING WHEN IT IS RETURNED FROM APPROVAL.
 SUBSEQUENT CHANGES TO INFORMATION SHOWN ON THESE DRAWINGS AFTER FIRST SUBMISSION WILL BE CONSIDERED AS CONTRACT CHANGES.
 ADOPTED BY THE NATIONAL INSTITUTE OF STEEL DETAILING 1977.



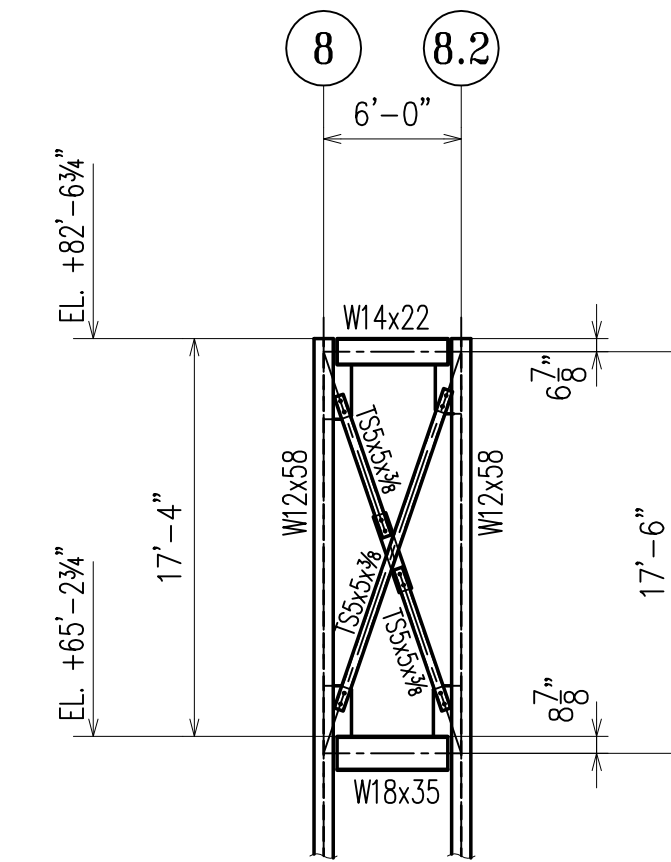
BF-9 (LINE 8.6)



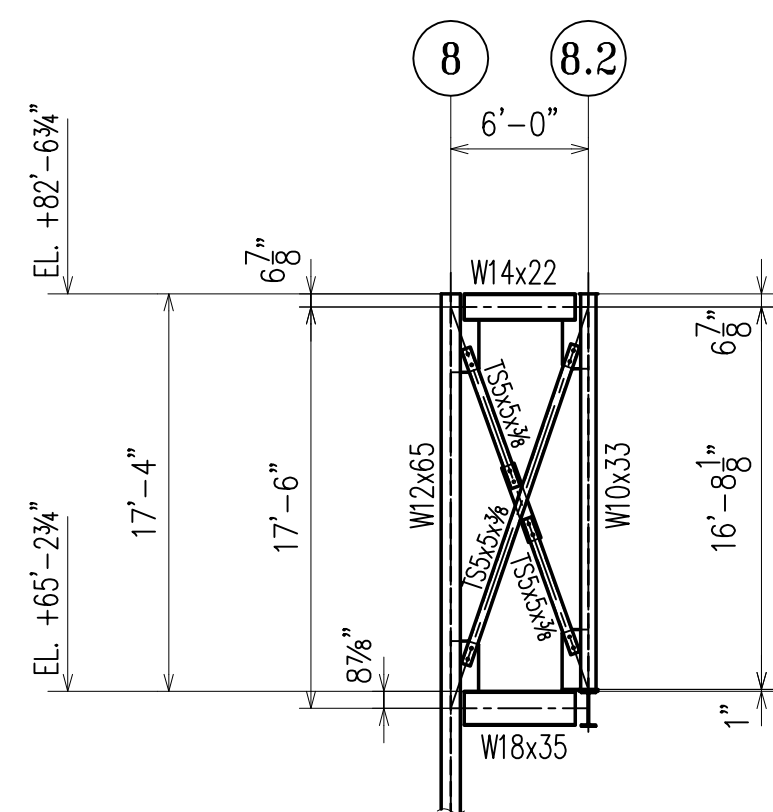
BF-10 (LINE 8.2)



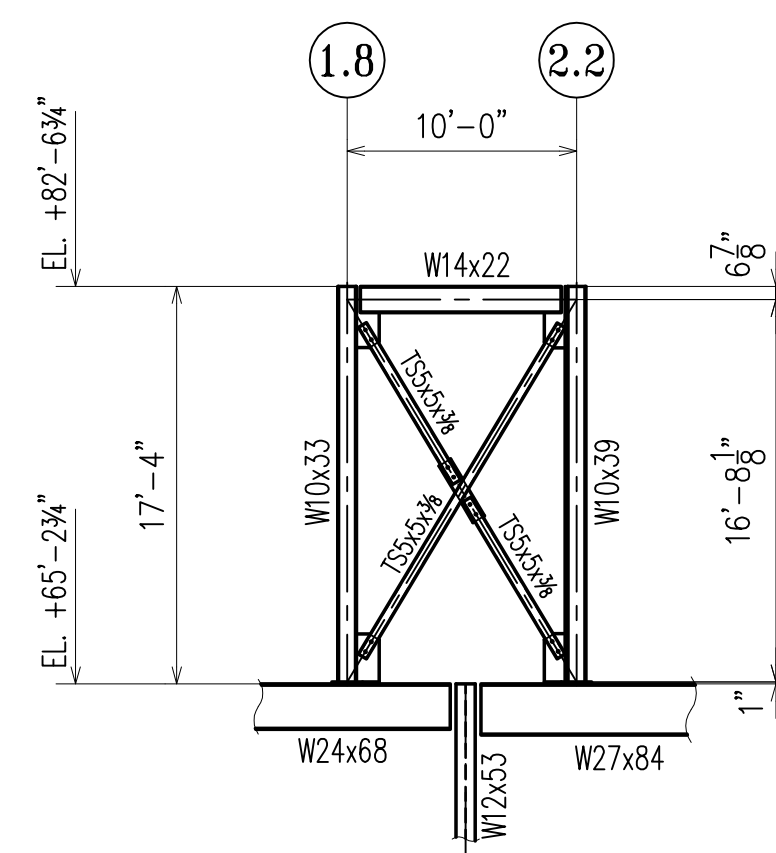
BF-11 (LINE 10)



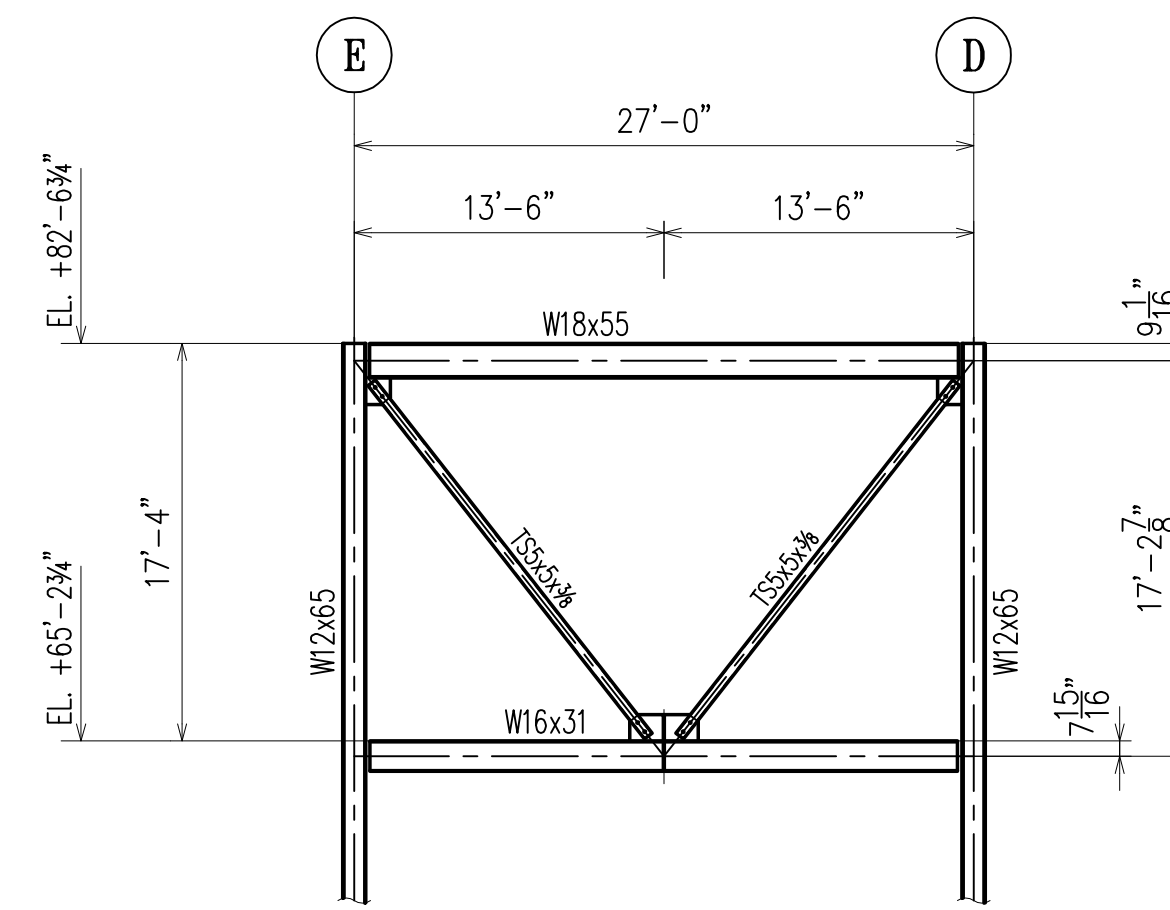
BF-12 (LINE D)



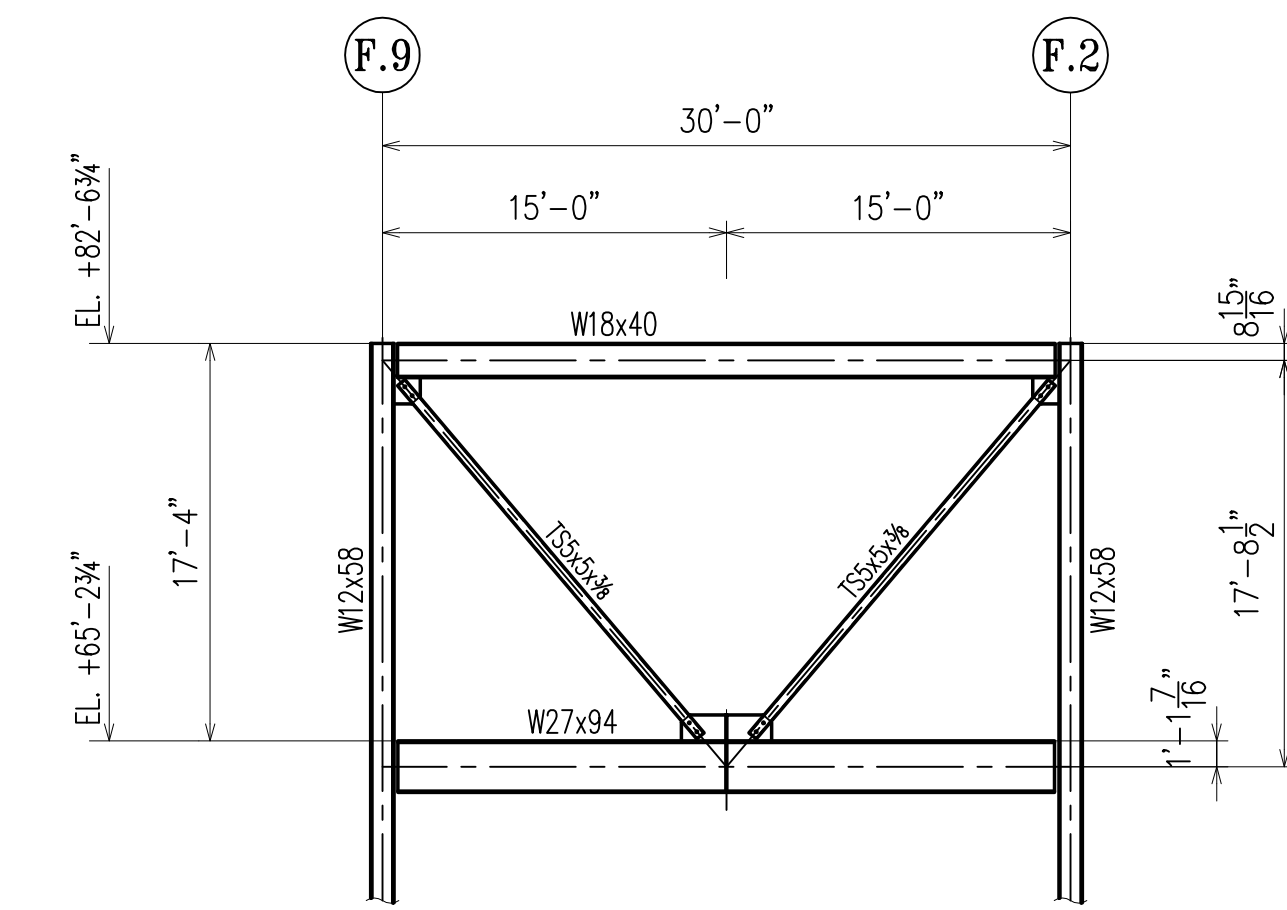
BF-13 (LINE F)



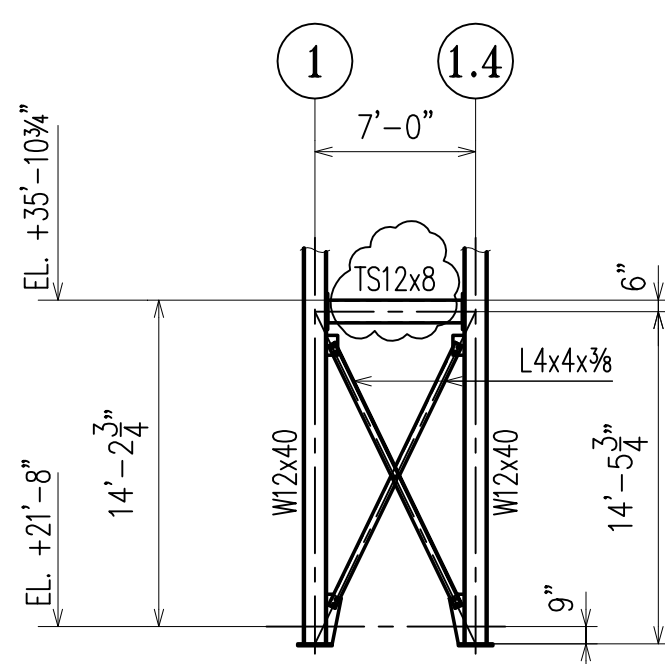
BF-14 (LINE F)



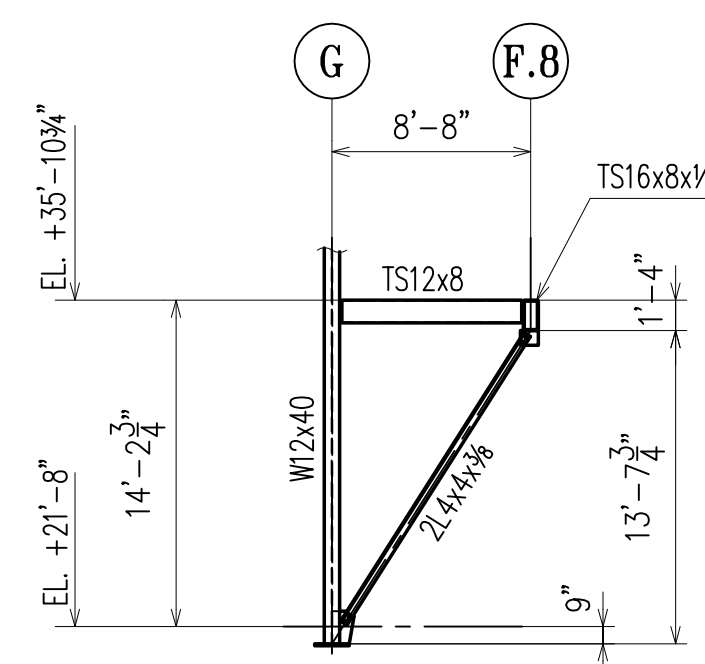
BF-15 (LINE 6)



BF-16 (LINE 9)



SECTION 1
E7



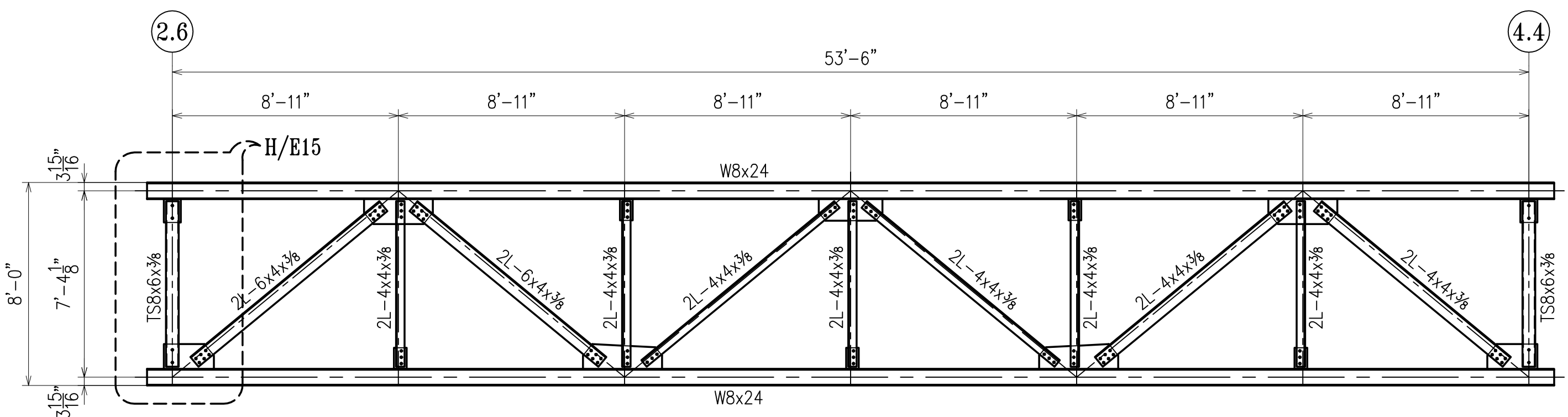
SECTION 2
E7

APPROVAL/REVIEW AUTHORITY:
PLEASE REVIEW THIS DRAWING CAREFULLY.
IT REPRESENTS OUR INTERPRETATION OF THE INTENT OF THE CONTRACT DOCUMENTS. HOWEVER, THE STEEL FABRICATOR AND THE STRUCTURAL STEEL DETAILER ASSUME NO RESPONSIBILITY FOR THE ACCURACY OF THE INFORMATION SHOWN ON THIS DRAWING. THIS IS THE RESPONSIBILITY OF THE BUYER.
IT WILL BE ASSUMED THAT ALL INFORMATION SHOWN HEREIN HAS THE AFFIRMATION OF THE APPROVAL AUTHORITY UNLESS NOTED TO THE CONTRARY ON THIS DRAWING WHEN IT IS RETURNED FROM APPROVAL.
SUBSEQUENT CHANGES TO INFORMATION SHOWN ON THESE DRAWINGS AFTER FIRST SUBMISSION WILL BE CONSIDERED AS CONTRACT CHANGES.
ADOPTED BY THE NATIONAL INSTITUTE OF STEEL DETAILING 1977.

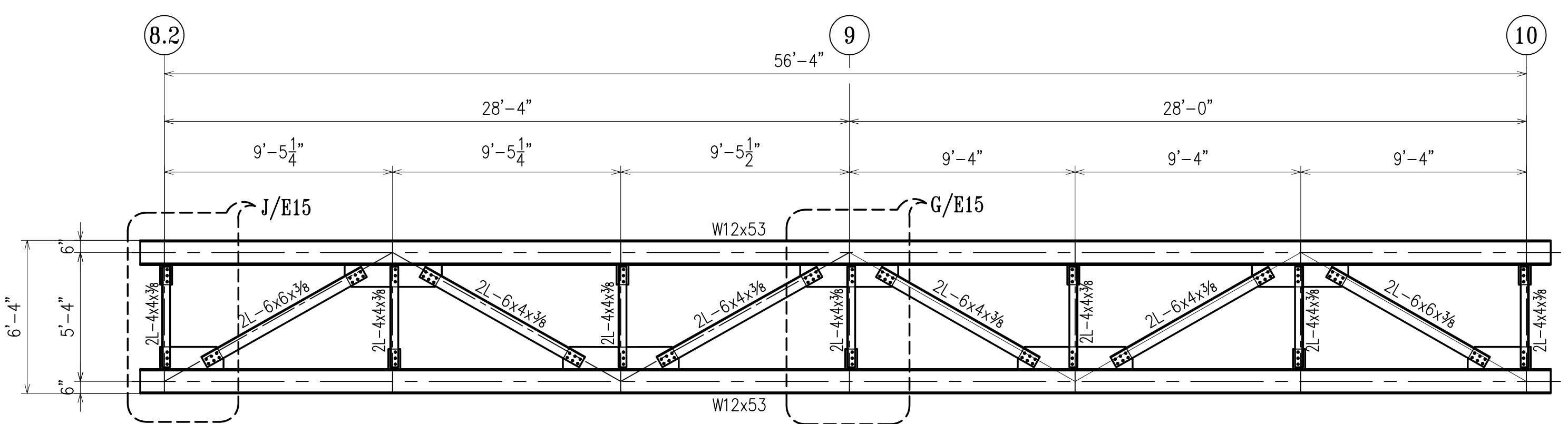
PLEASE VERIFY/SUPPLY CLOUDED DIMS

DRAWINGS PREPARED BY:	
DIVISION FIVE DETAILING INC.	
1770 Gallagher Drive	
Vineland, New Jersey 08360	
Phone: (856) 794-9474	
Fax: (856) 696-2027	

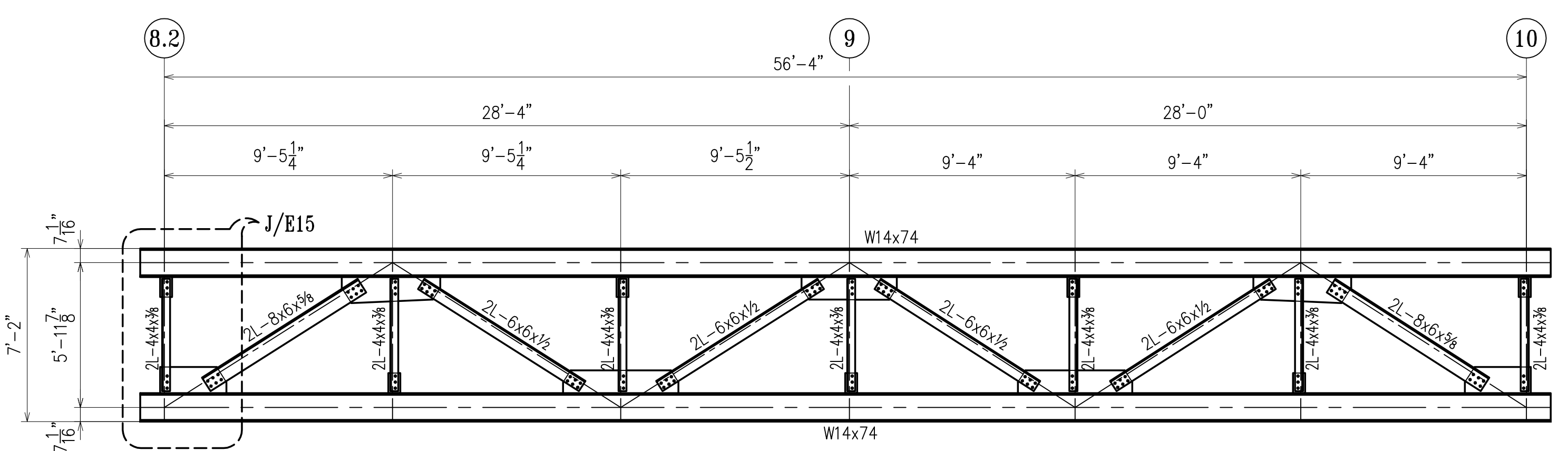
PAIN: ONE SHOP COAT U/NOTED					FOR FIELD
MATERIAL: A36 U/NOTED					4th APPVL
HOLES: 13/16 U/NOTED					3rd APPVL
ELECTRODES: E70XX					2nd APPVL
TOTAL WEIGHT	NO DATE	DESCRIPTION	NO DATE	DESCRIPTION	1st APPVL
REVISIONS					DATE
CUSTOMER:					ISSUE
WEIR WELDING CO. INC.					
316 12th STREET CARLSTADT, NJ 07072					
PHONE: (201) 939-2284 FAX: (201) 939-5525					
DRAFTER SIm	PROJECT:	P.S. 253-Q		CONTRACT NO	
DATE 3/29/02	LOCATION:	FAR ROCKAWAY, QUEENS, NY		S-642	
CHECKED	DWG TITLE:	BRACED FRAMES		DWG NO	
DATE				E7	



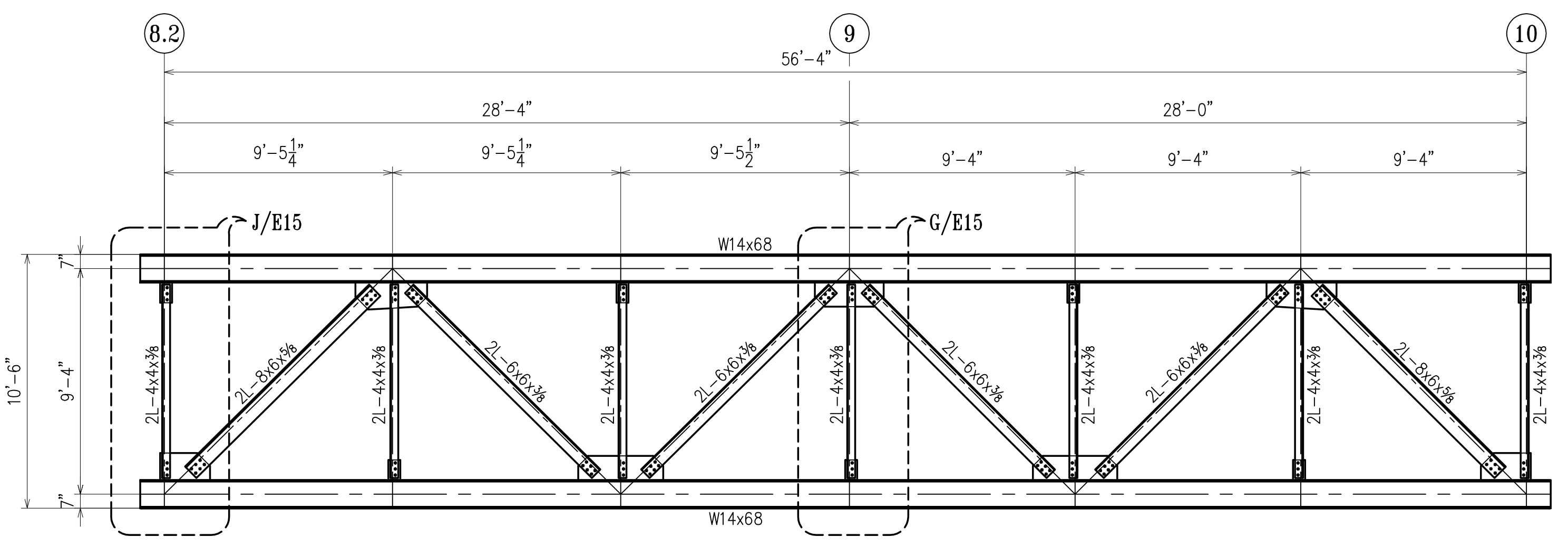
TRUSS 96T1



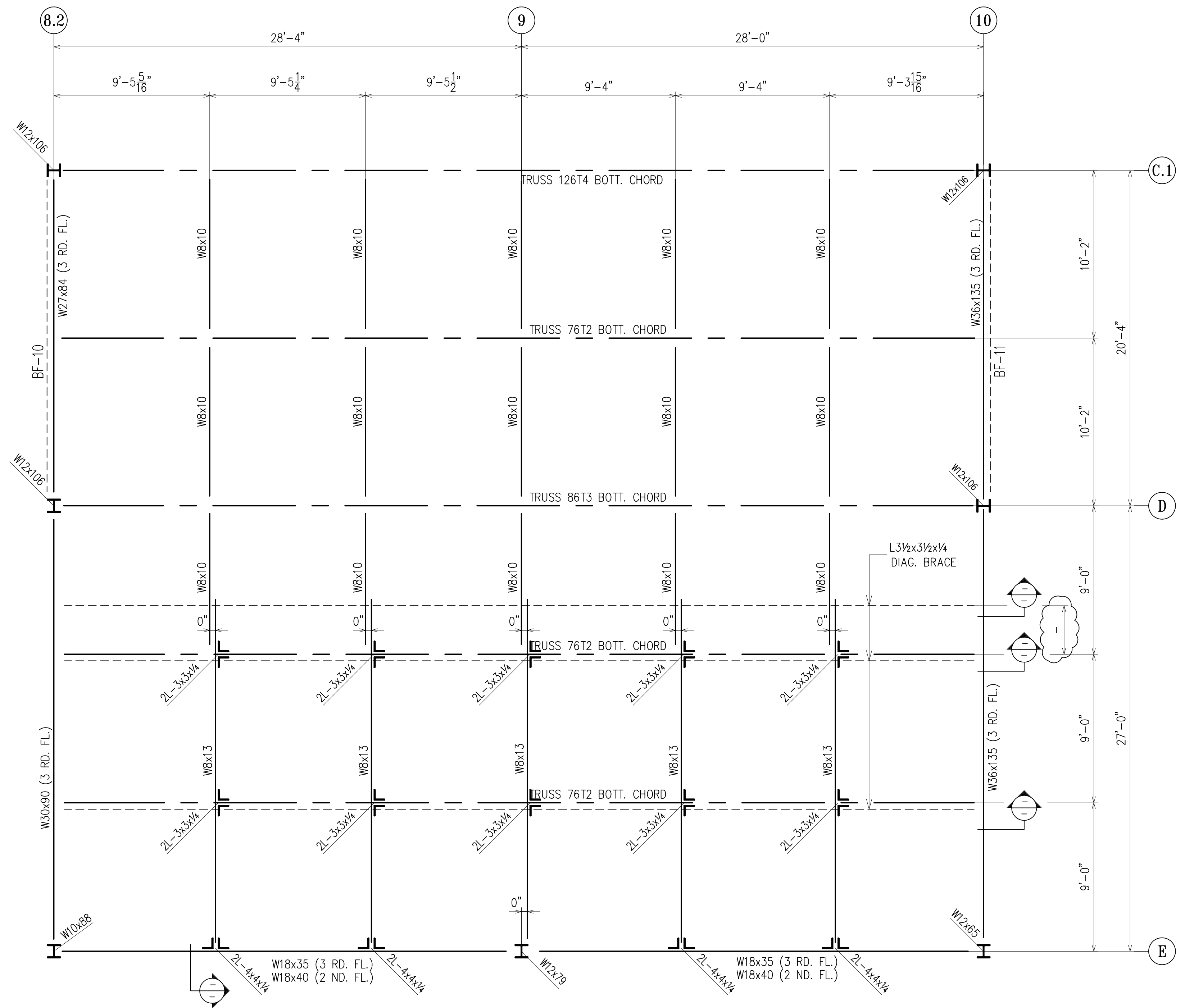
TRUSS 76T2



TRUSS 86T3



TRUSS 126T4



**AUDITORIUM CEILING SUPPORTS
PART FRAMING PLAN AT TRUSS BOTTOM CHORDS**

- NOTES: 1) T.O.S. ELEVATION (+) ABOVE EL. 0'-0" U.N.O.
 2) ALL W SHAPE STEEL TO BE A572 GR.50 U.N.O.
 ALL TUBE STEEL TO BE A500 U.N.O.
 ALL PIPE STEEL TO BE A501 U.N.O.
 3) ALL BOLTS TO BE 3/4" A325-SC U.N.O.

APPROVAL/REVIEW AUTHORITY:
 PLEASE REVIEW THIS DRAWING CAREFULLY.
 IT REPRESENTS OUR INTERPRETATION OF THE INTENT
 OF THE CONTRACT DOCUMENTS. HOWEVER, THE STEEL
 FABRICATOR AND THE STRUCTURAL STEEL DETAILER
 ASSUME NO RESPONSIBILITY FOR THE ACCURACY OF THE
 INFORMATION SHOWN ON THIS DRAWING. THIS IS THE
 RESPONSIBILITY OF THE BUYER.
 IT WILL BE ASSUMED THAT ALL INFORMATION SHOWN
 HEREIN HAS THE AFFIRMATION OF THE APPROVAL
 AUTHORITY UNLESS NOTED TO THE CONTRARY ON THIS
 DRAWING WHEN IT IS RETURNED FROM APPROVAL.
 SUBSEQUENT CHANGES TO INFORMATION SHOWN ON
 THESE DRAWINGS AFTER FIRST SUBMISSION WILL BE
 CONSIDERED AS CONTRACT CHANGES.
 ADAPTED BY THE NATIONAL INSTITUTE OF STEEL DETAILING 1977.

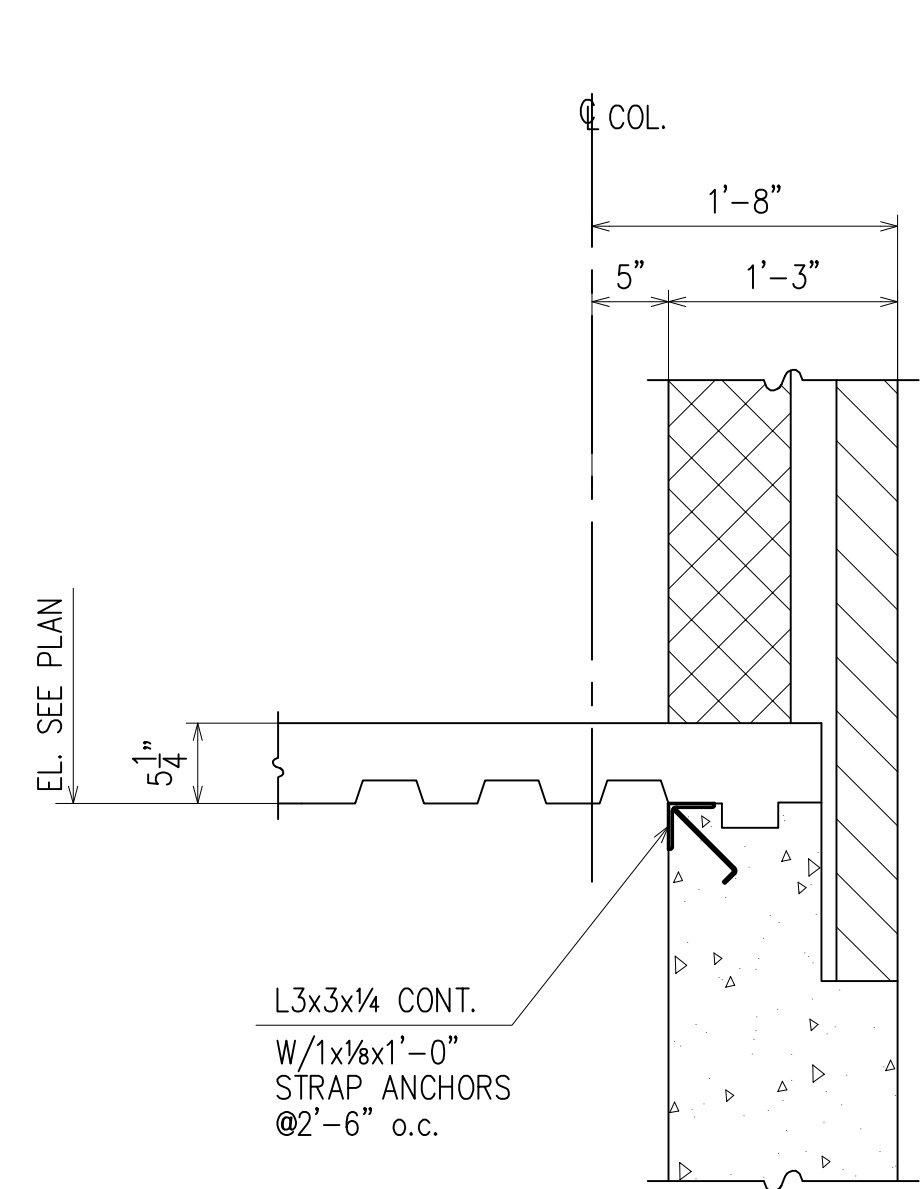
PLEASE VERIFY/SUPPLY
CLOUDED DIMS

DRAWINGS PREPARED BY:
 DIVISION FIVE DETAILING INC.
 1770 Gallagher Drive
 Vineland, New Jersey 08360
 Phone: (856) 794-9474
 Fax: (856) 696-2027

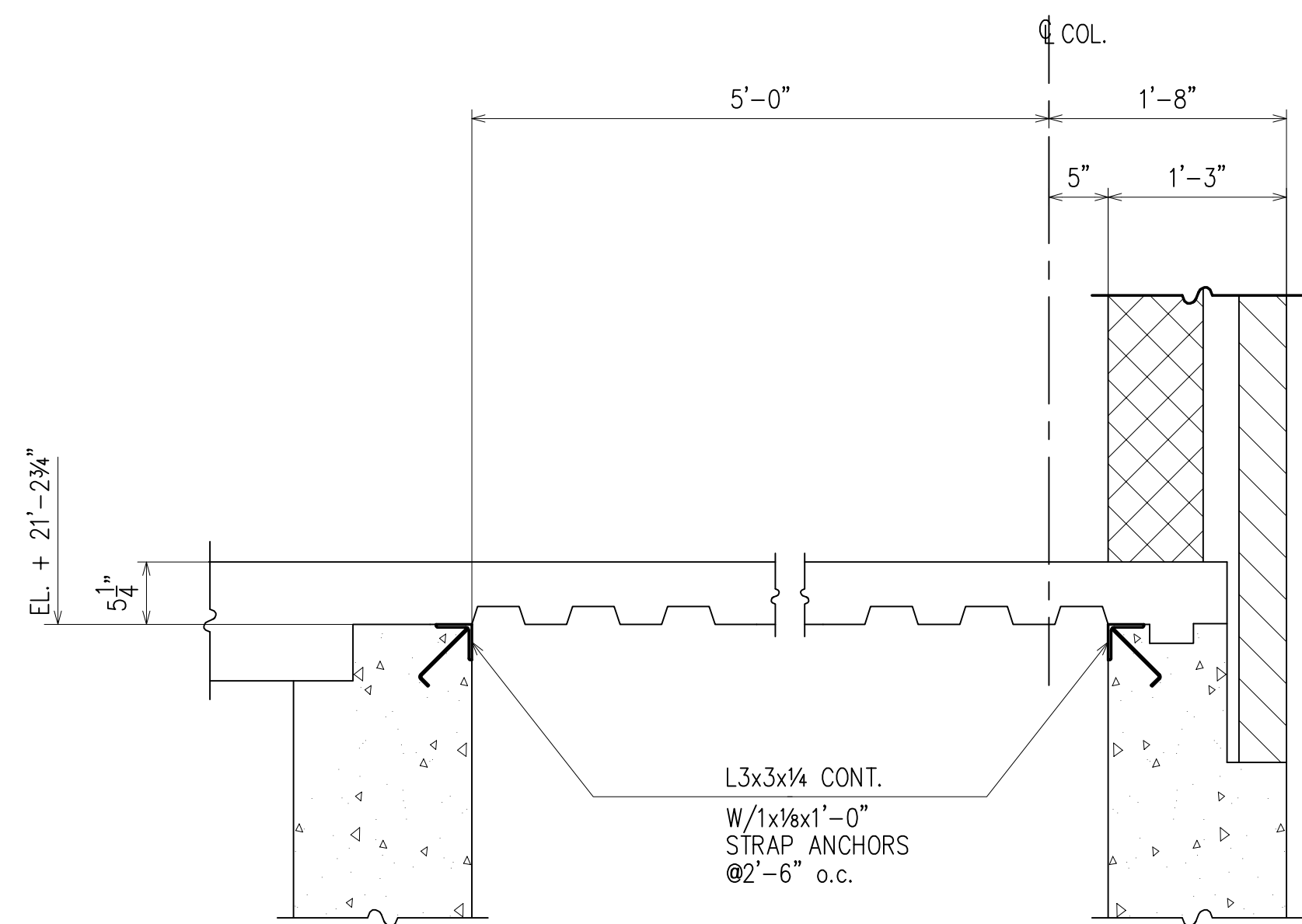
PAINT: ONE SHOP COAT U/NOTED					FOR FIELD
MATERIAL: A36 U/NOTED					4th APPVL
HOLES: 13/16 U/NOTED					3rd APPVL
ELECTRODES: E70XX					2nd APPVL
TOTAL WEIGHT	NO DATE	DESCRIPTION	NO DATE	DESCRIPTION	1st APPVL
	REVISIONS				DATE
					ISSUE

CUSTOMER:
WEIR WELDING CO. INC.
 316 12th STREET CARLSTADT, NJ 07072
 PHONE: (201) 939-2284 FAX: (201) 939-5525

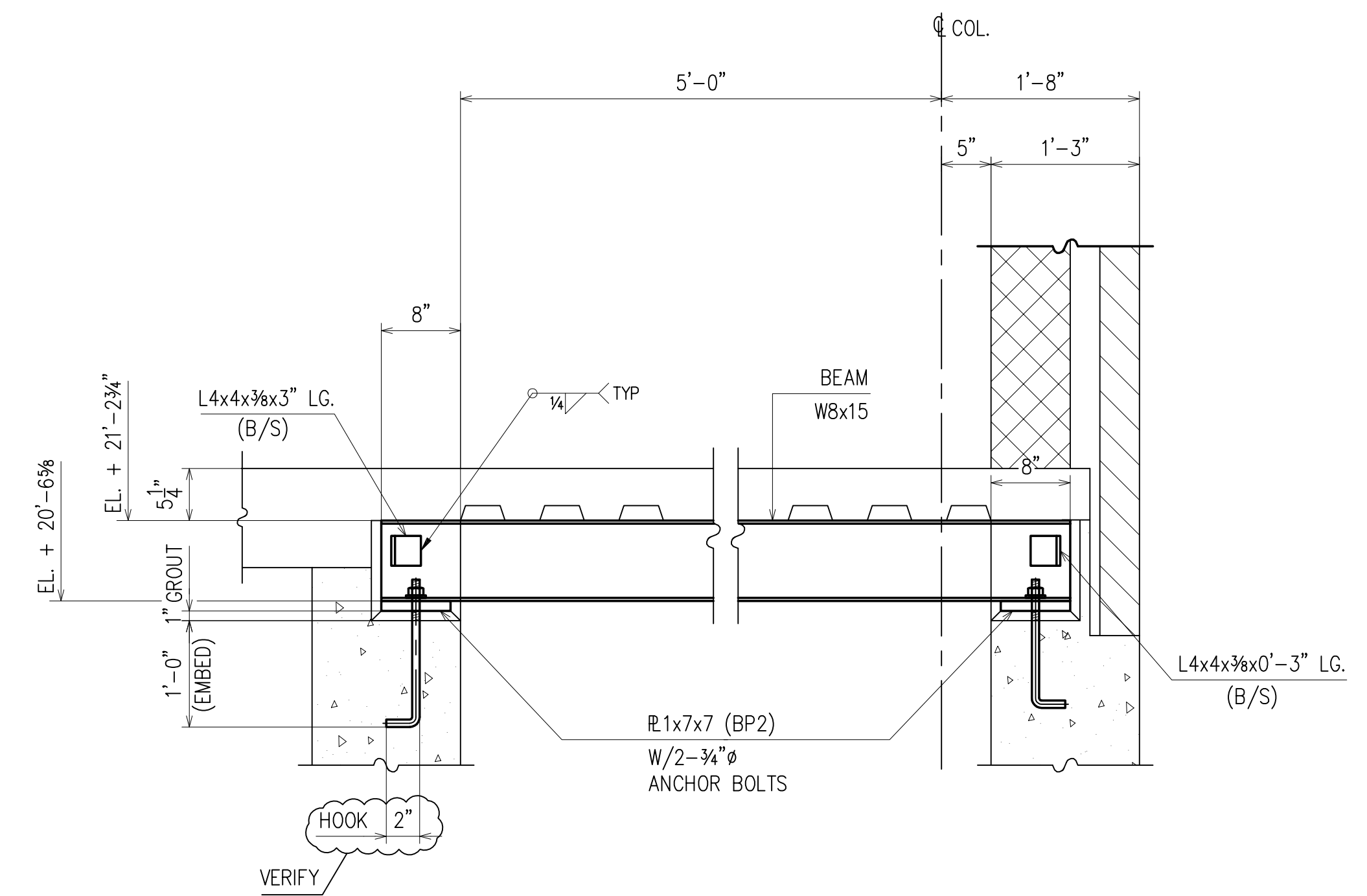
DRAFTER: SIm	PROJECT: P.S. 253-Q	CONTRACT NO: S-642
DATE: 4/03/02	LOCATION: FAR ROCKAWAY, QUEENS, NY	DWG NO: E8
CHECKED:	DWG TITLE: TRUSSES & AUDITORIUM CEILING FRAMING	
DATE:		



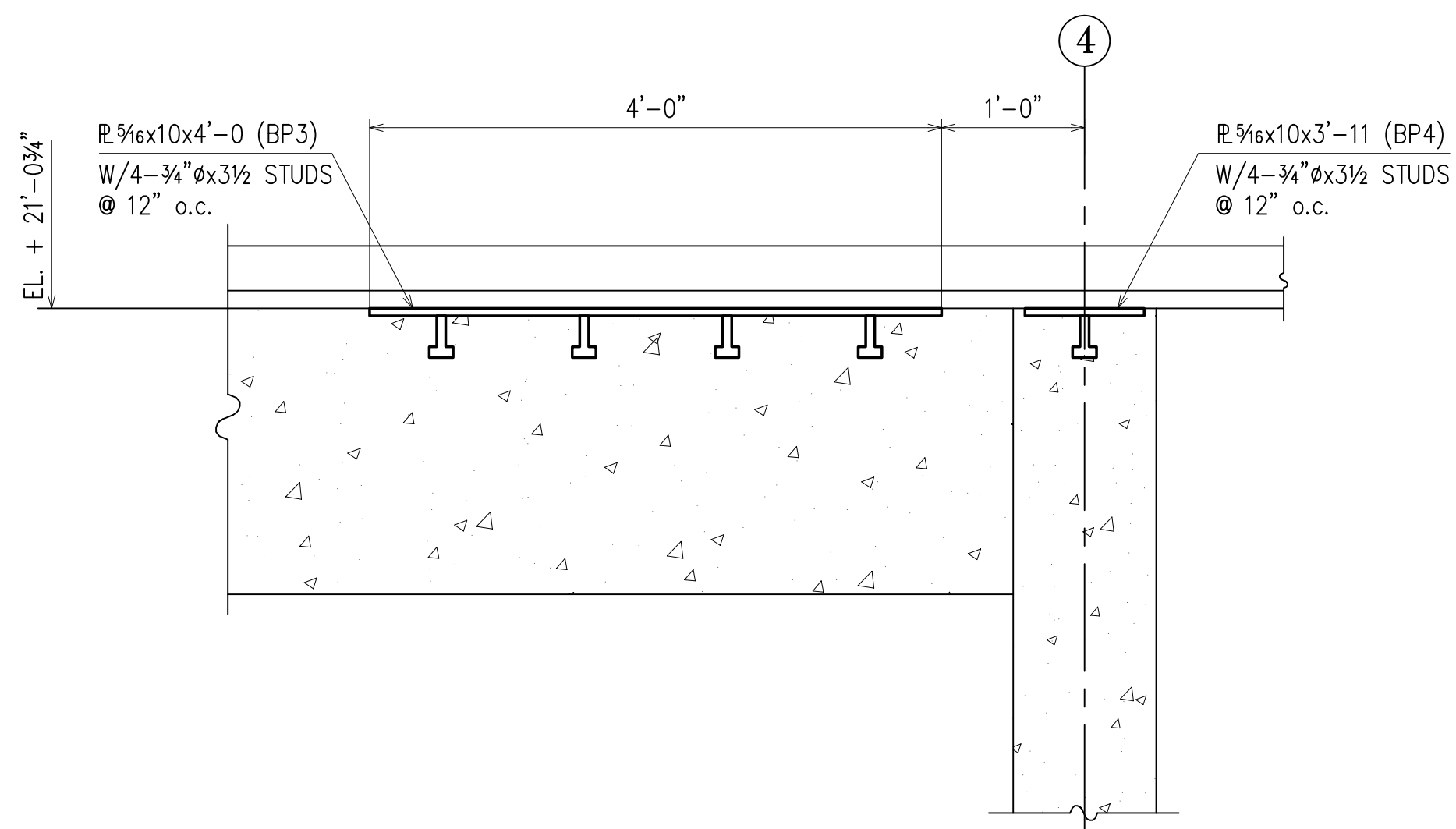
SECTION 1
E9



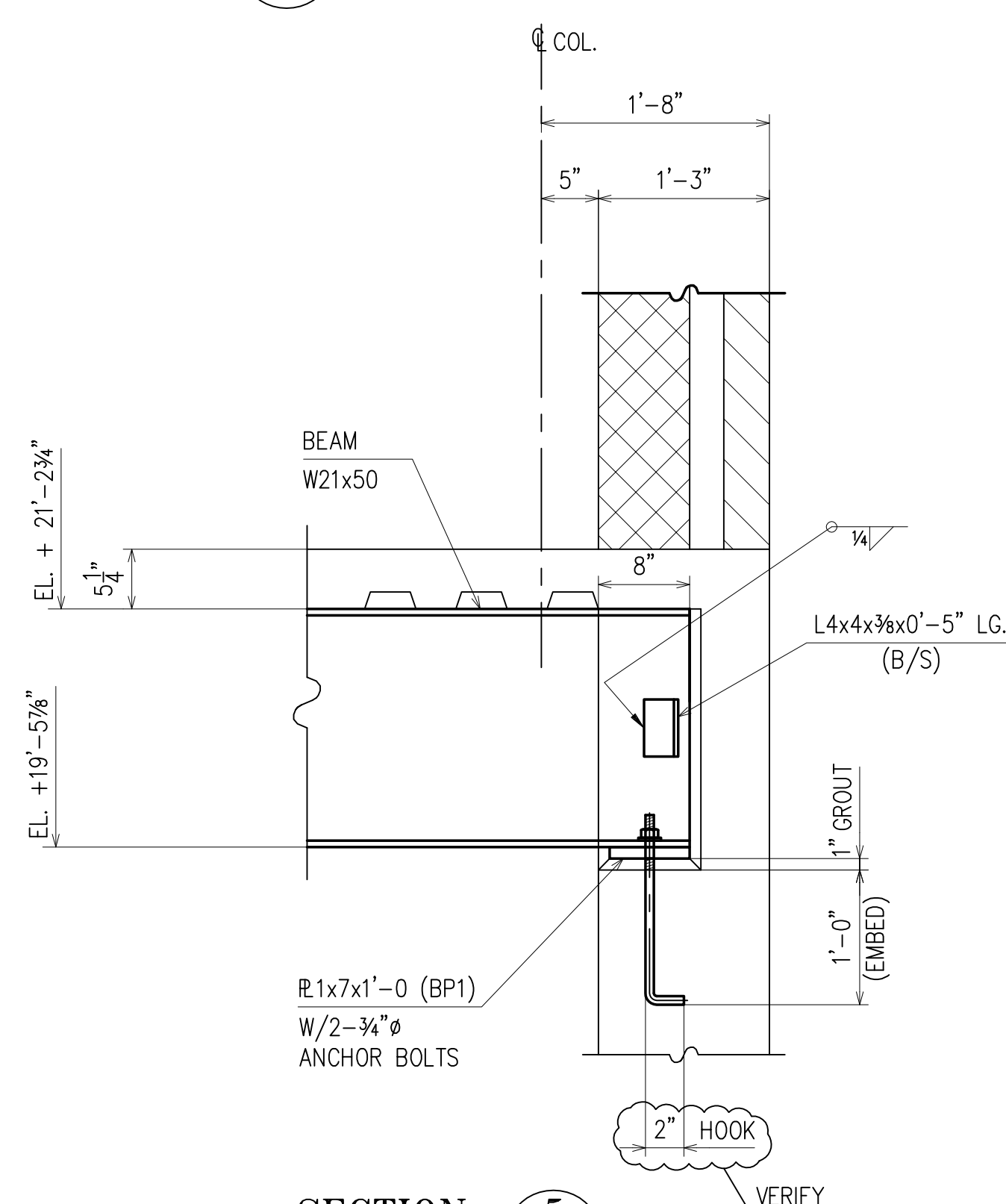
SECTION 2
E9



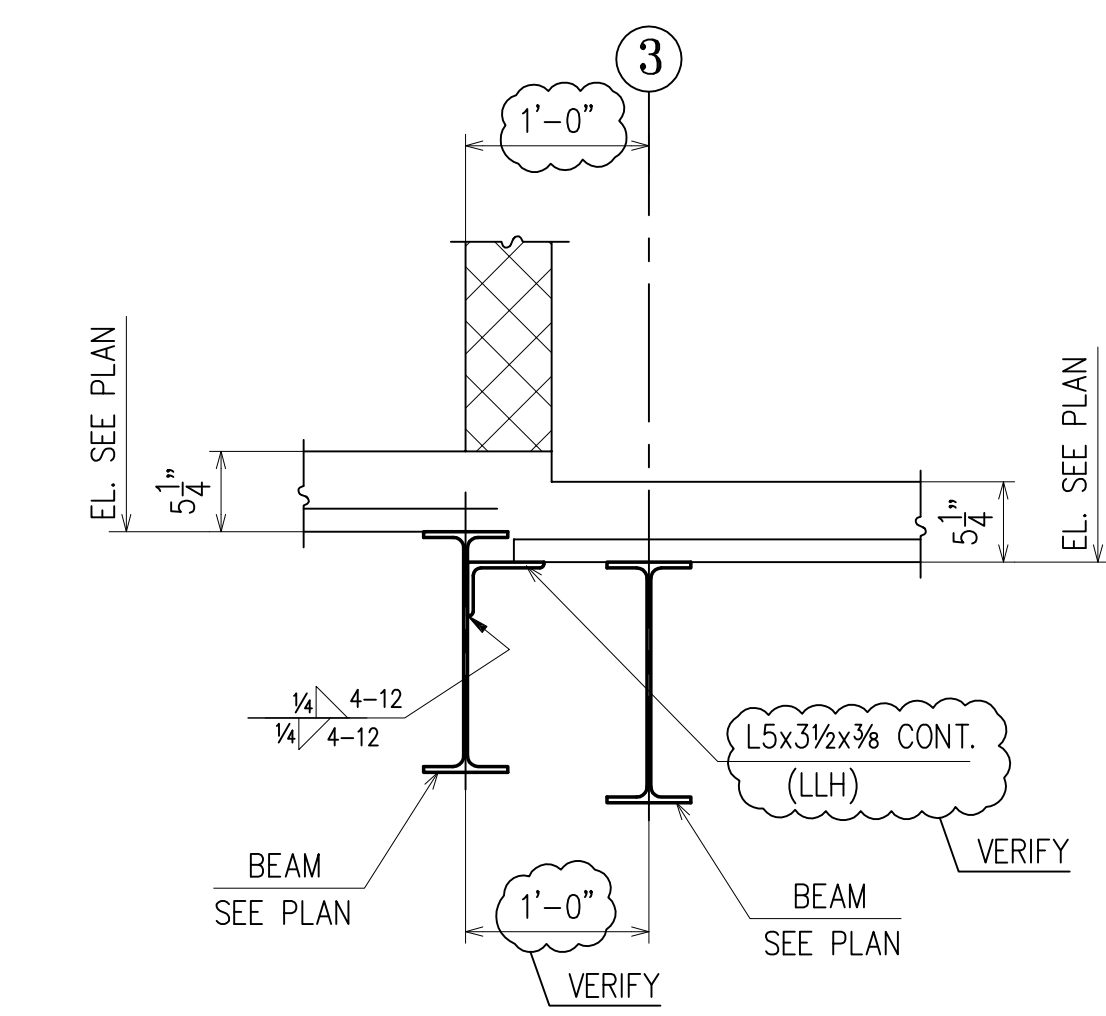
SECTION 3
E9



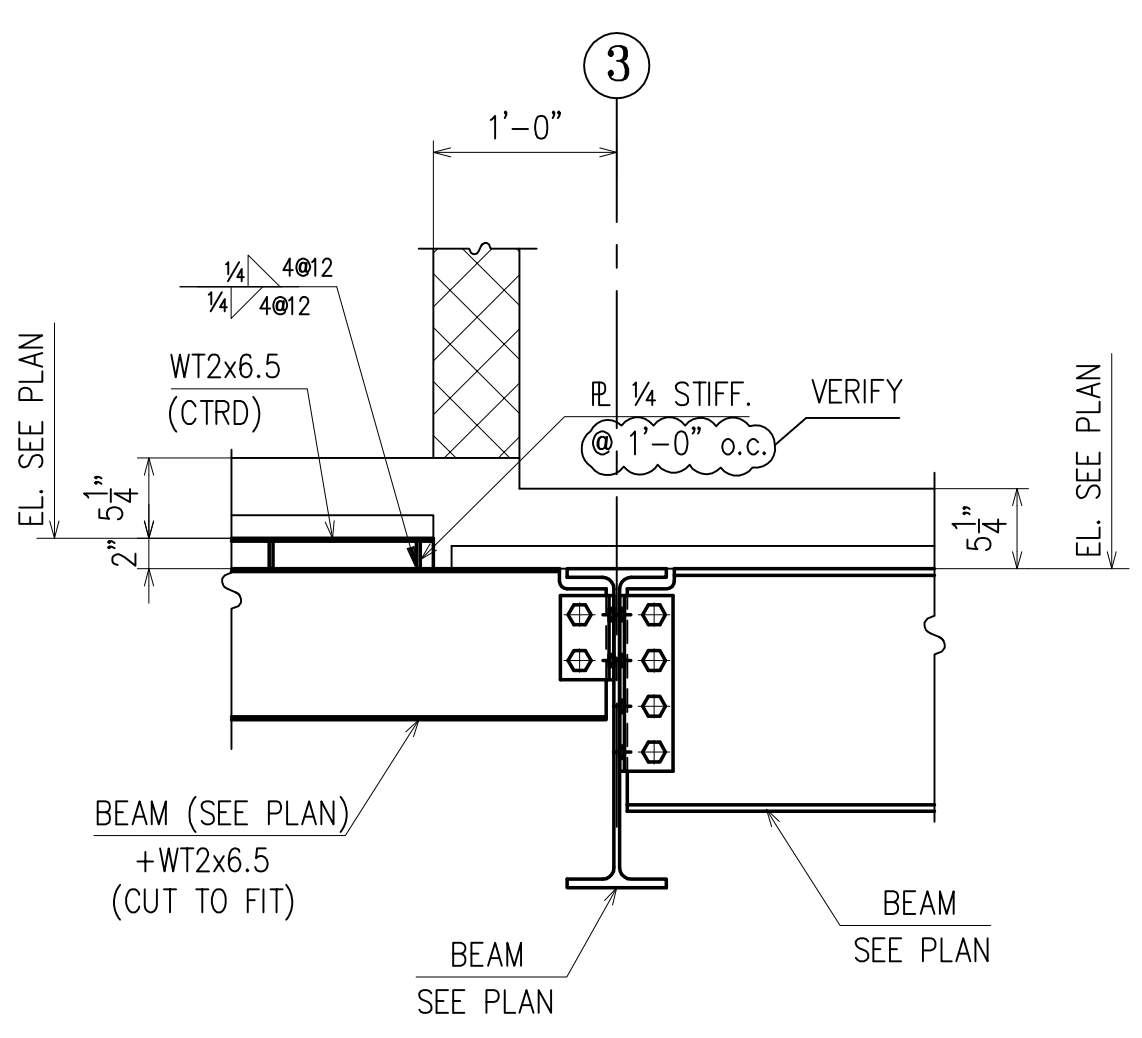
SECTION 4
E9



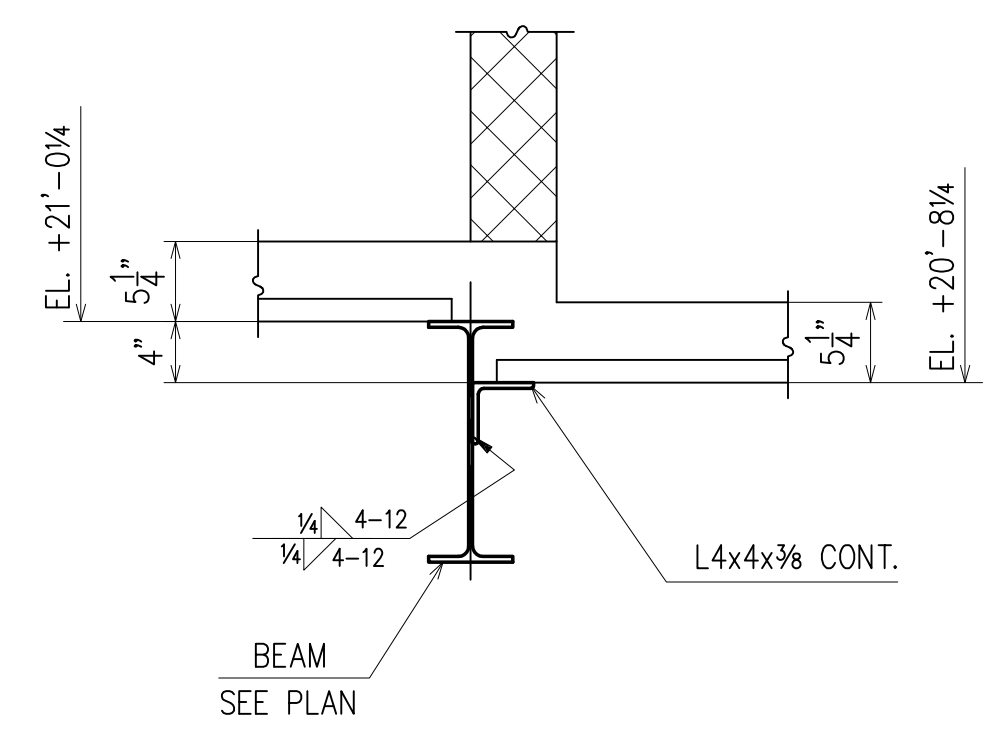
SECTION 5
E9



SECTION 6
E9



SECTION 7
E9

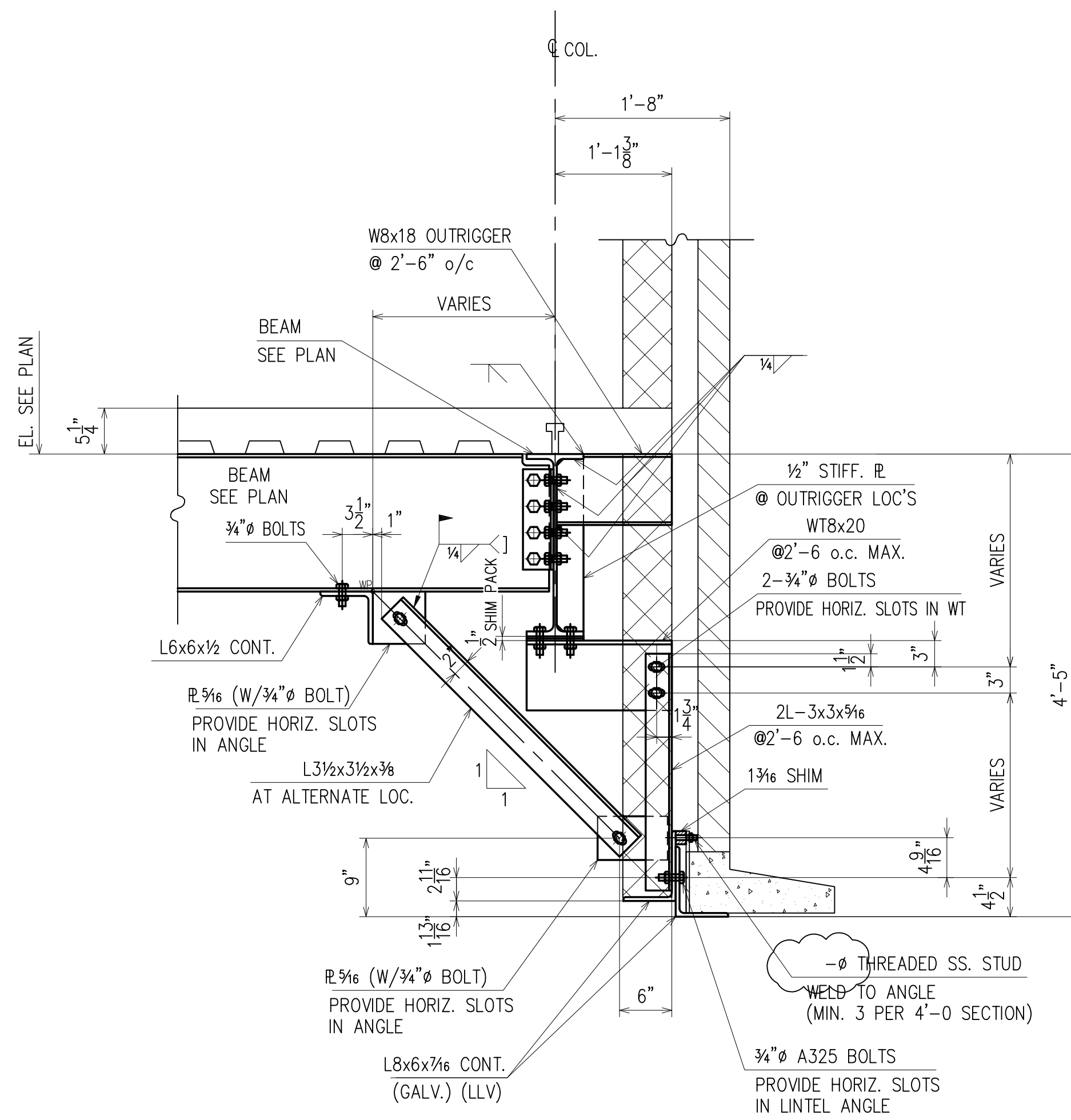


SECTION 8
E9

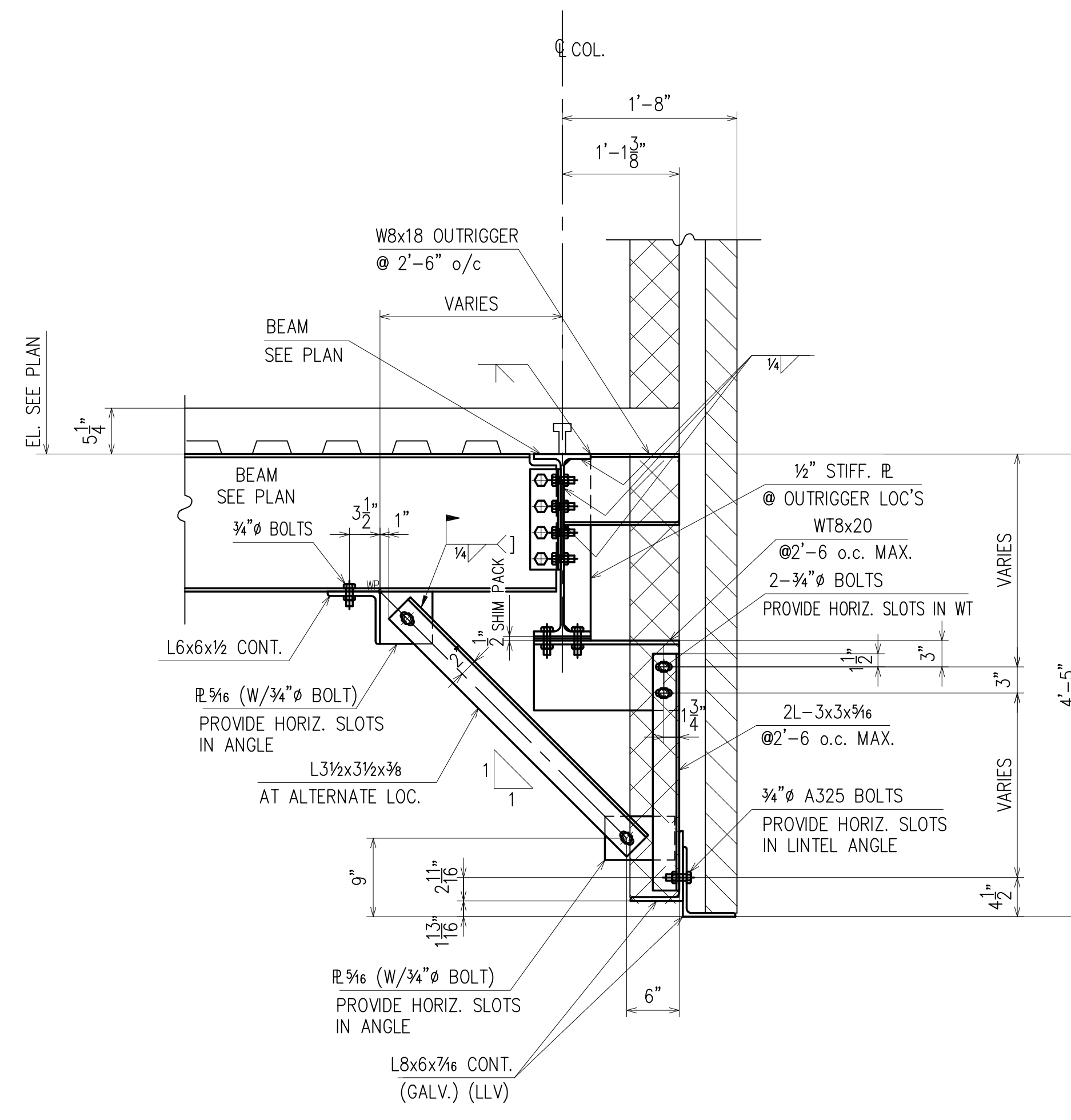
APPROVAL/REVIEW AUTHORITY:
PLEASE REVIEW THIS DRAWING CAREFULLY.
IT REPRESENTS OUR INTERPRETATION OF THE INTENT OF THE CONTRACT DOCUMENTS. HOWEVER, THE STEEL FABRICATOR AND THE STRUCTURAL STEEL DETAILER ASSUME NO RESPONSIBILITY FOR THE ACCURACY OF THE INFORMATION SHOWN ON THIS DRAWING. THIS IS THE RESPONSIBILITY OF THE BUYER.
IT WILL BE ASSUMED THAT ALL INFORMATION SHOWN HEREIN HAS THE AFFIRMATION OF THE APPROVAL AUTHORITY UNLESS NOTED TO THE CONTRARY ON THIS DRAWING WHEN IT IS RETURNED FROM APPROVAL.
SUBSEQUENT CHANGES TO INFORMATION SHOWN ON THESE DRAWINGS AFTER FIRST SUBMISSION WILL BE CONSIDERED AS CONTRACT CHANGES.
ADOPTED BY THE NATIONAL INSTITUTE OF STEEL DETAILING 1977.

DRAWINGS PREPARED BY:	
DIVISION FIVE DETAILING INC.	
1770 Gallagher Drive	
Vineland, New Jersey 08360	
Phone: (856) 794-9474	
Fax: (856) 696-2027	

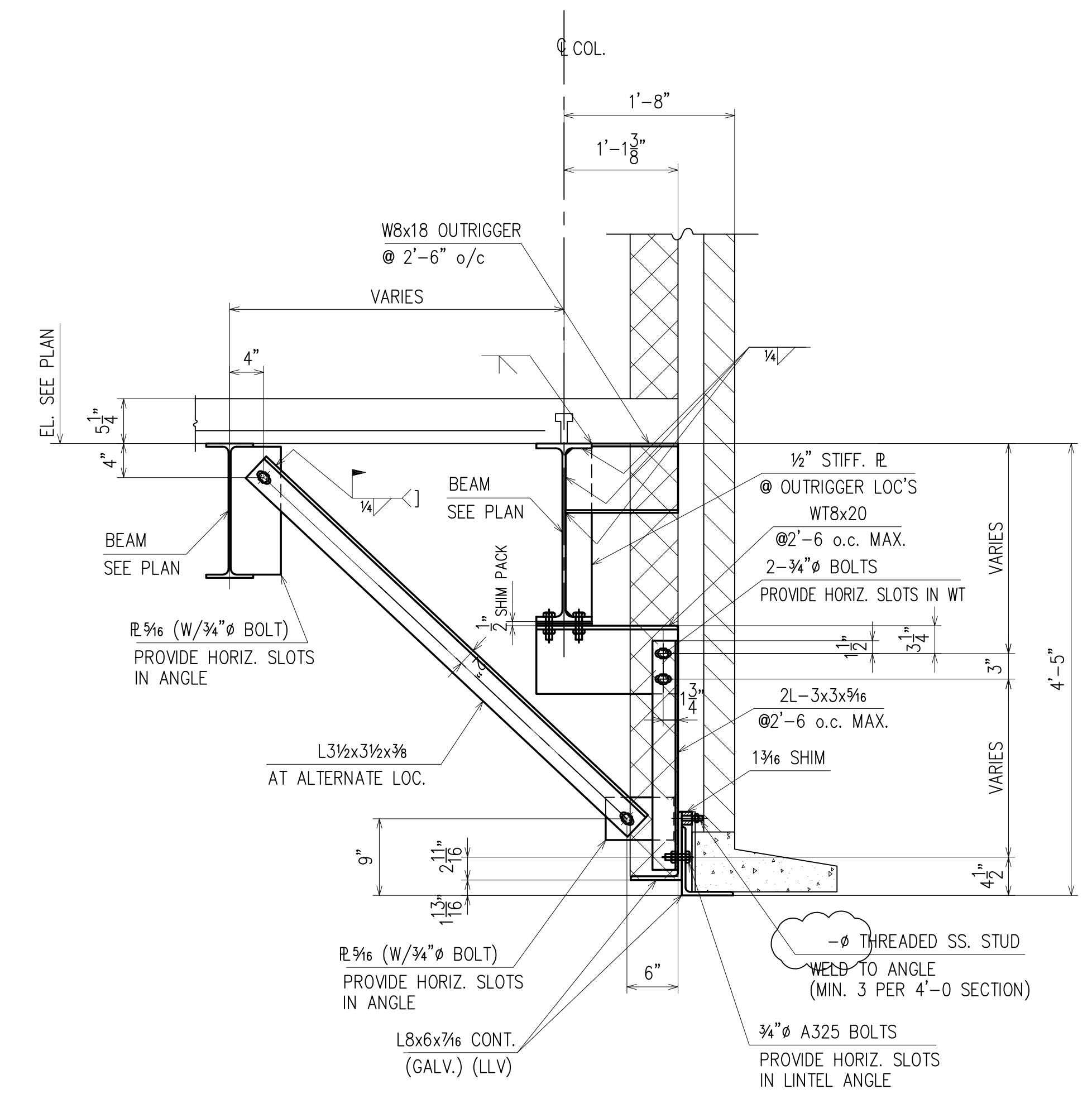
PAIN: ONE SHOP COAT U/NOTED					FOR FIELD
MATERIAL: A36 U/NOTED					4th APPVL
HOLES: 13/16 U/NOTED					3rd APPVL
ELECTRODES: E70XX					2nd APPVL
TOTAL WEIGHT	NO DATE	DESCRIPTION	NO DATE	DESCRIPTION	1st APPVL
	REVISIONS				DATE
CUSTOMER: WEIR WELDING CO. INC.					
316 12th STREET CARLSTADT, NJ 07072					
PHONE: (201) 939-2284 FAX: (201) 939-5525					
DRAFTER SIm	PROJECT: P.S. 253-Q	CONTRACT NO			
DATE 4/04/02	LOCATION: FAR ROCKAWAY, QUEENS, NY	S-642			
CHECKED	DWG TITLE: SECTIONS	DWG NO			
DATE		E9			



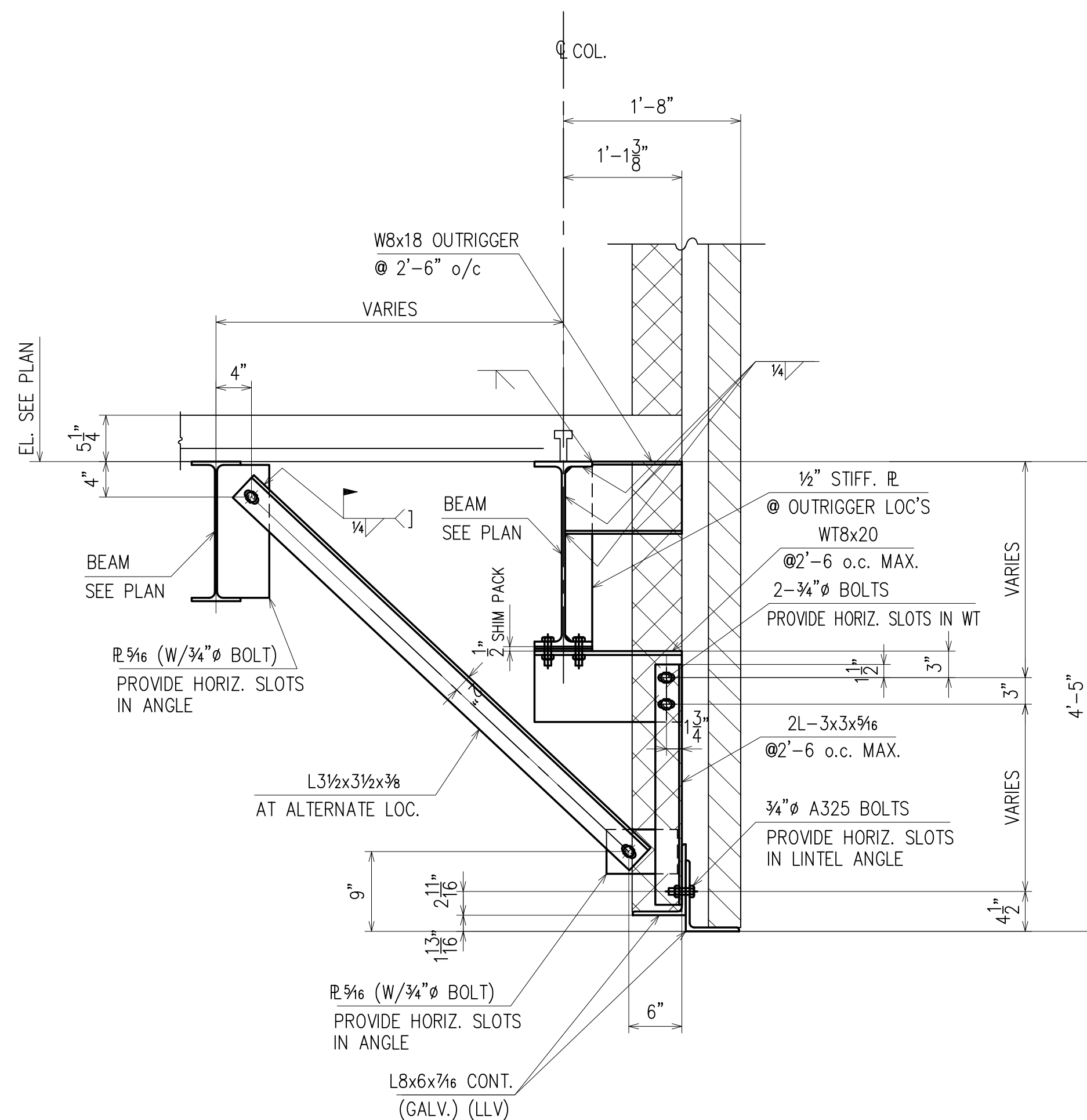
SECTION 1
E10



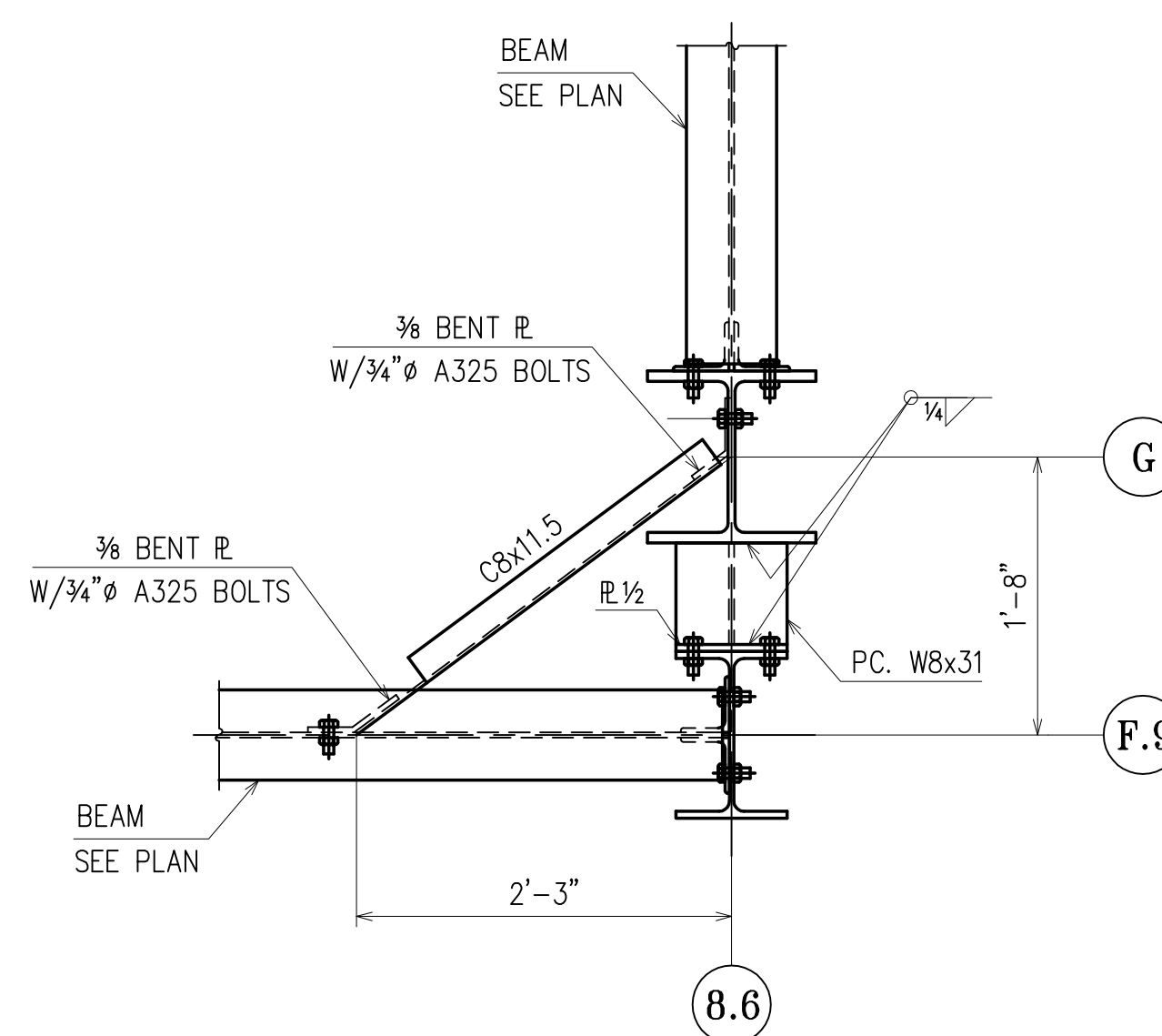
SECTION 2
E10



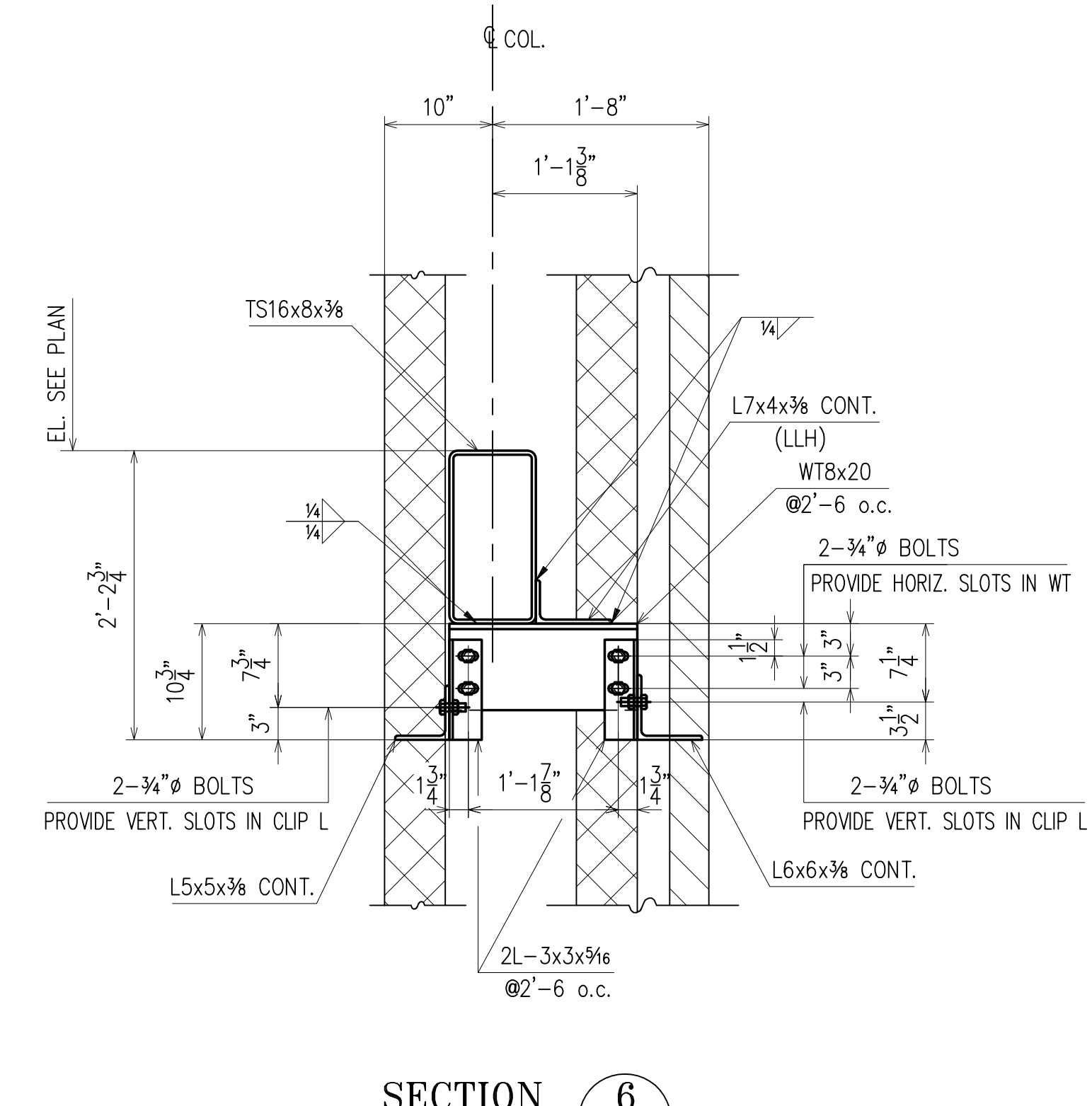
SECTION 3
E10



SECTION 4
E10



DETAIL 5
E10



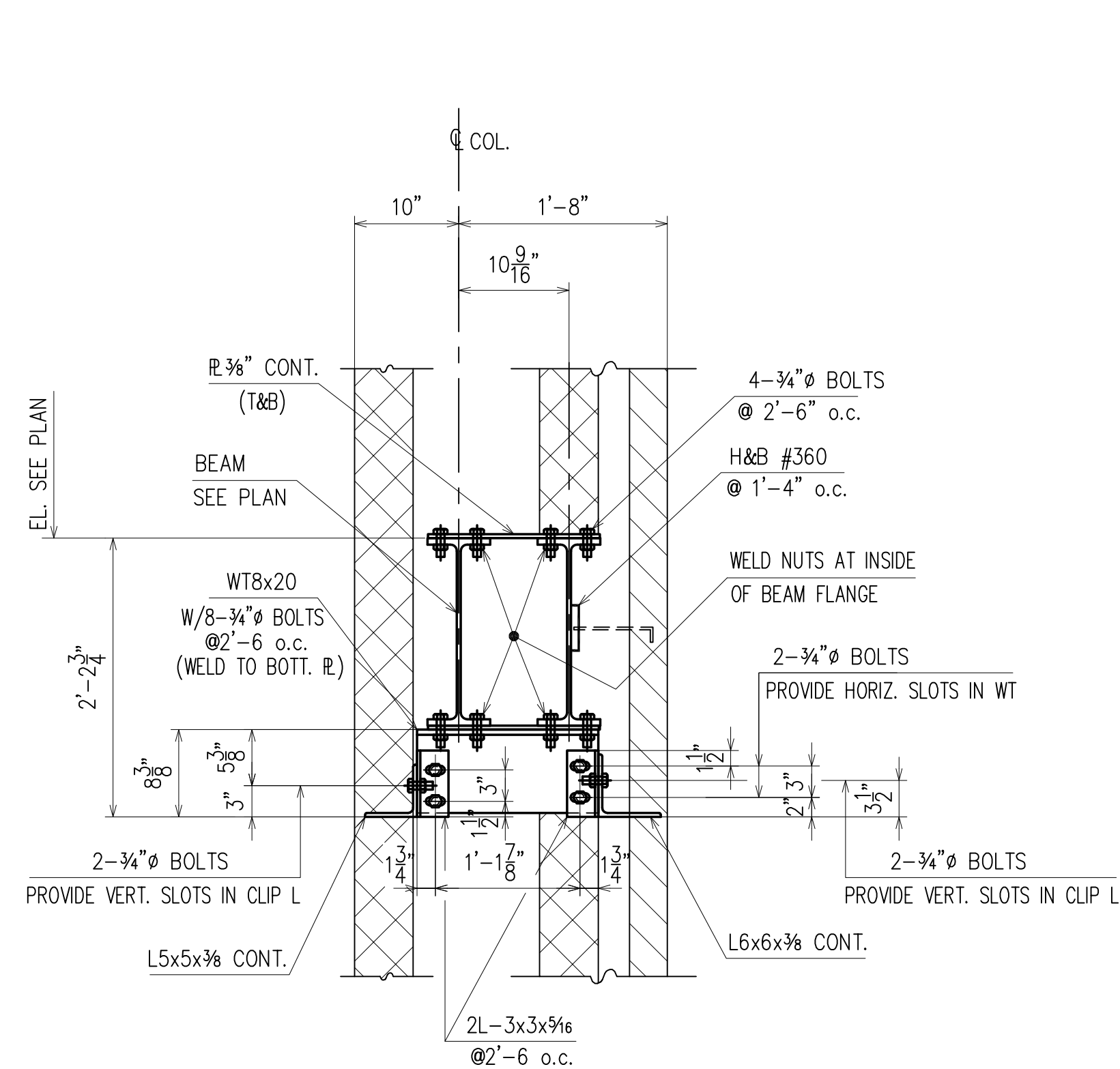
SECTION 6
E10

APPROVAL/REVIEW AUTHORITY:
PLEASE REVIEW THIS DRAWING CAREFULLY.
IT REPRESENTS OUR INTERPRETATION OF THE INTENT OF
THE CONTRACT DOCUMENTS. HOWEVER, THE STEEL
FABRICATOR AND THE STRUCTURAL STEEL DETAILER
ASSUME NO RESPONSIBILITY FOR THE ACCURACY OF THE
INFORMATION SHOWN ON THIS DRAWING. THIS IS THE
RESPONSIBILITY OF THE BUYER.
IT WILL BE ASSUMED THAT ALL INFORMATION SHOWN
HEREIN HAS THE AFFIRMATION OF THE APPROVAL
AUTHORITY UNLESS NOTED TO THE CONTRARY ON THIS
DRAWING WHEN IT IS RETURNED FROM APPROVAL.
SUBSEQUENT CHANGES TO INFORMATION SHOWN ON
THESE DRAWINGS AFTER FIRST SUBMISSION WILL BE
CONSIDERED AS CONTRACT CHANGES.
ADOPTED BY THE NATIONAL INSTITUTE OF STEEL DETAILING 1977.

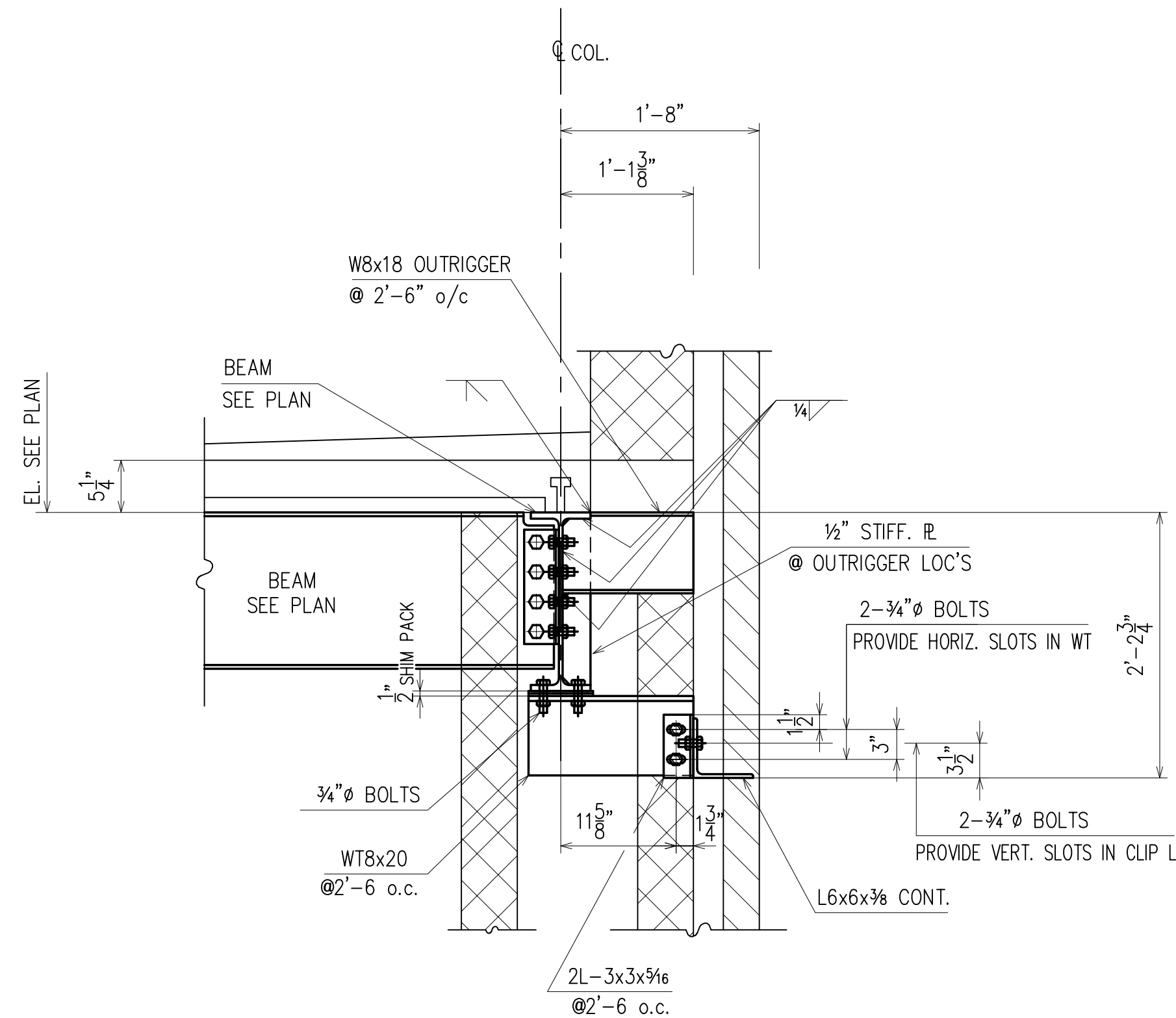
DRAWINGS PREPARED BY:	
DIVISION FIVE DETAILING INC.	
1770 Gallagher Drive	
Vineland, New Jersey 08360	
Phone: (856) 794-9474	
Fax: (856) 696-2027	

PAIN: ONE SHOP COAT U/NOTED					FOR FIELD
MATERIAL: A36 U/NOTED					4th APPVL
HOLES: 13/16 U/NOTED					3rd APPVL
ELECTRODES: E70XX					2nd APPVL
TOTAL WEIGHT	NO DATE	DESCRIPTION	NO DATE	DESCRIPTION	1st APPVL
	REVISIONS				DATE

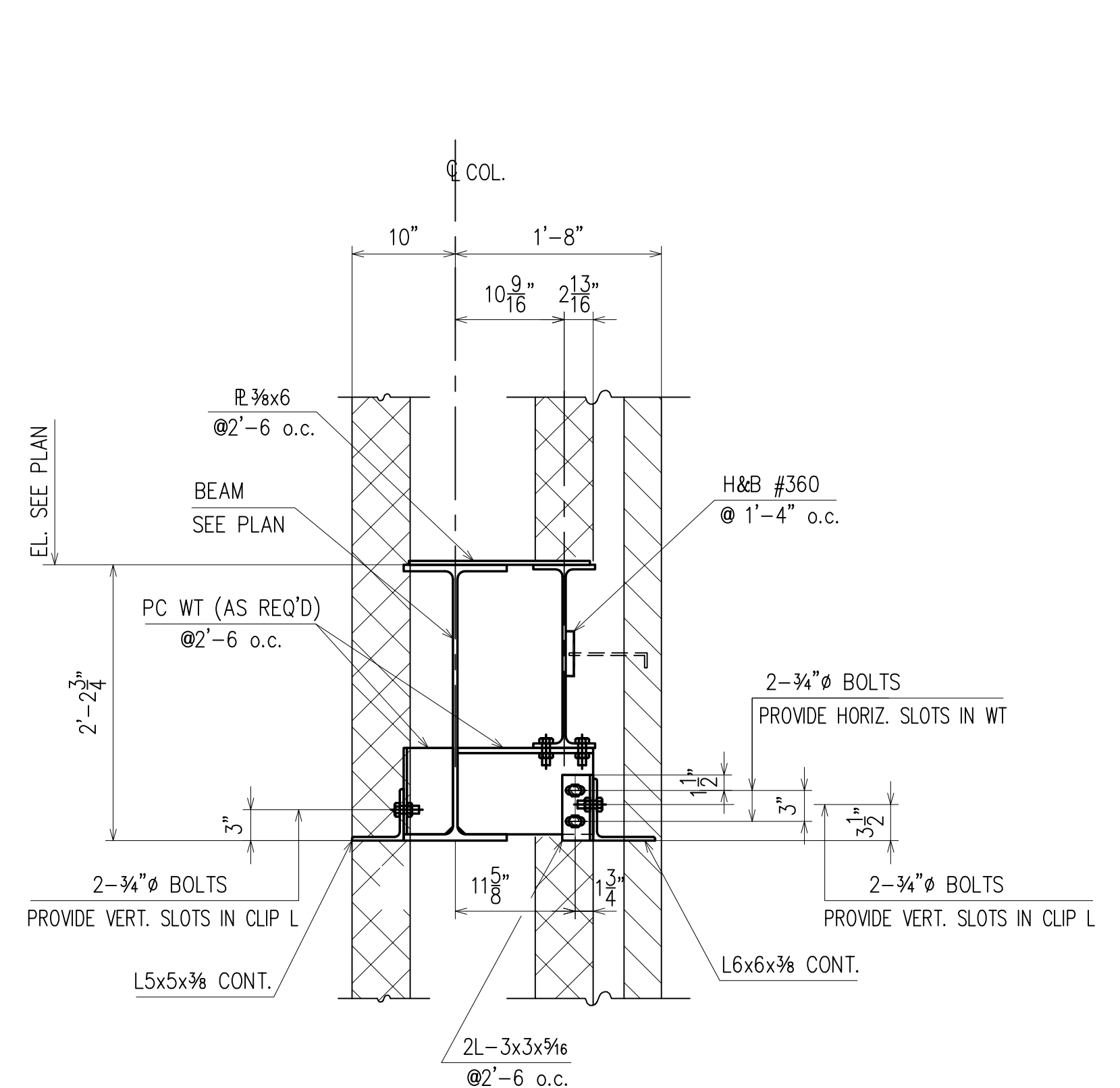
CUSTOMER:		WEIR WELDING CO. INC.		CONTRACT NO	
		316 12th STREET CARLSTADT, NJ 07072		S-642	
		PHONE: (201) 939-2284 FAX: (201) 939-5525		DWG NO	
DRAFTER SIm		PROJECT: P.S. 253-Q		CONTRACT NO	
DATE 4/05/02		LOCATION: FAR ROCKAWAY, QUEENS, NY		S-642	
CHECKED		DWG TITLE: SECTIONS & DETAIL		DWG NO	
DATE				E10	



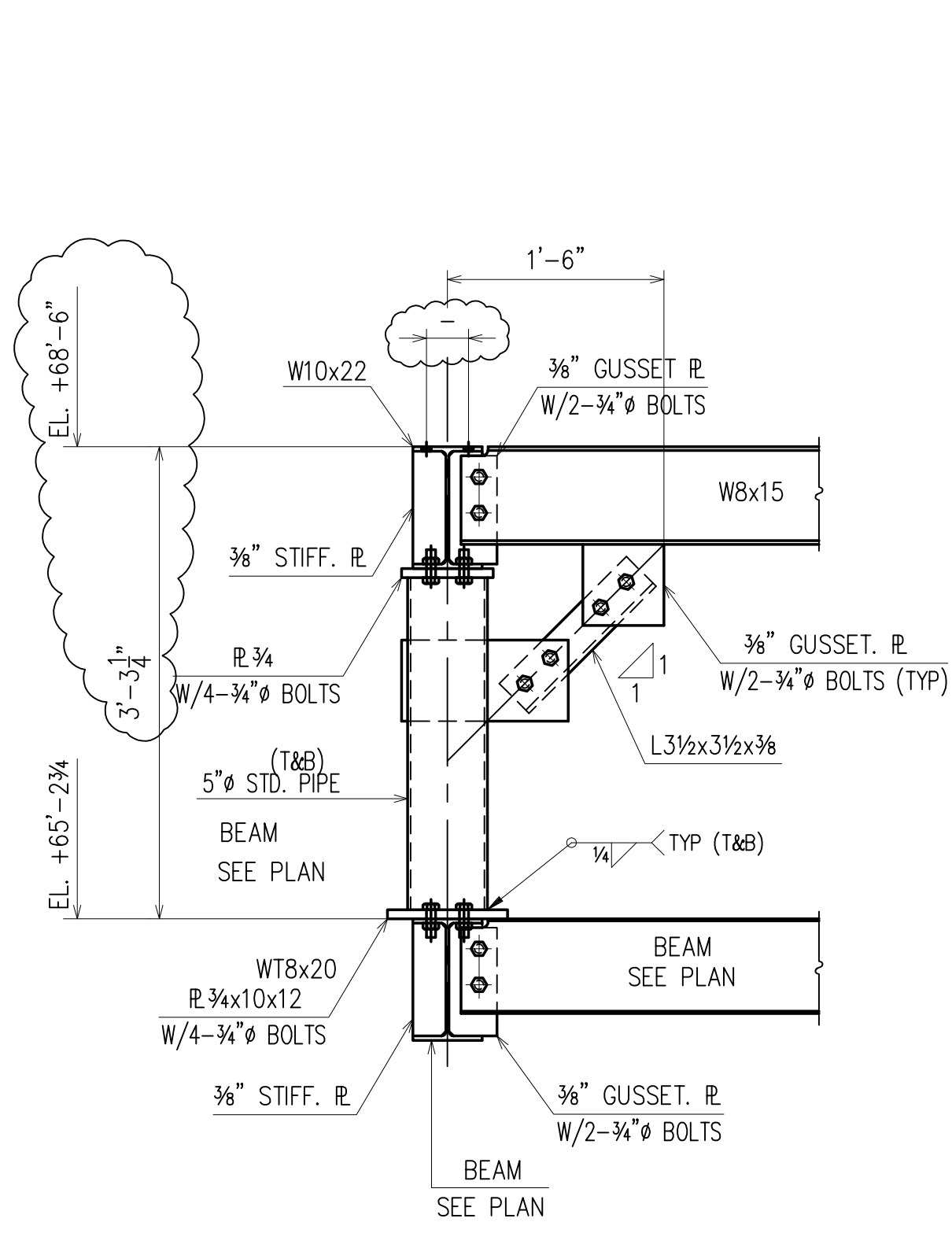
SECTION 1
E11



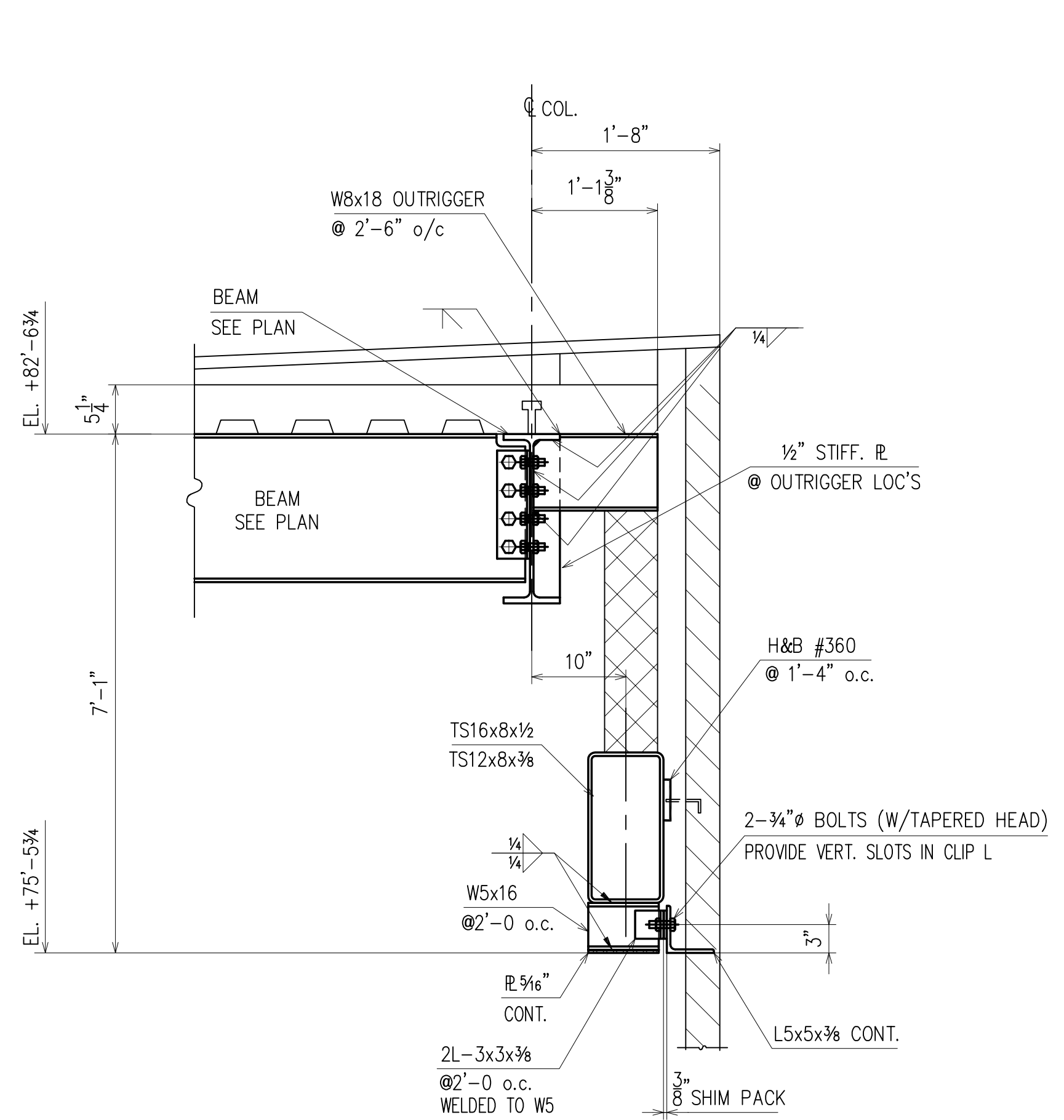
SECTION 2
E11



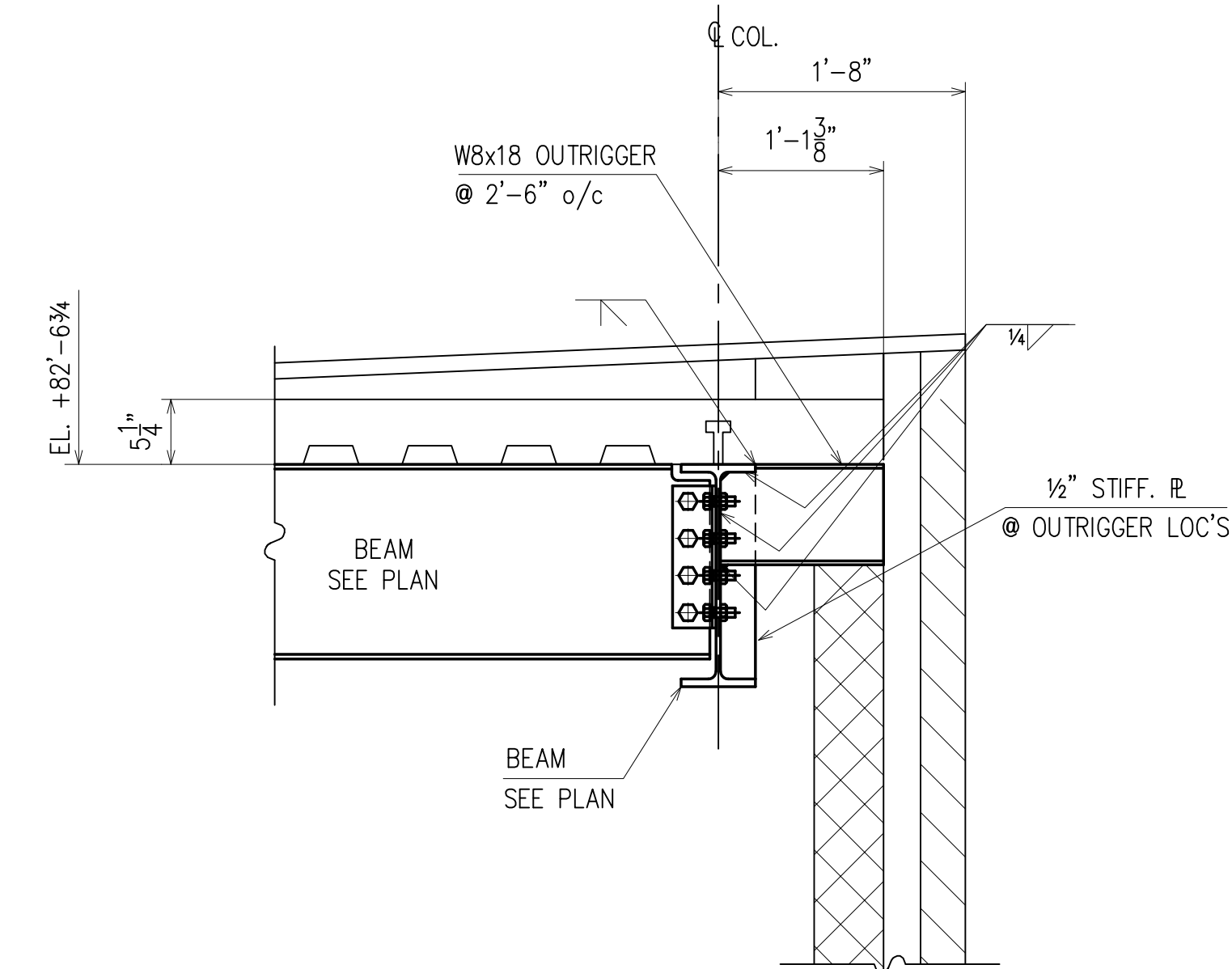
SECTION 3
E11



SECTION 4
E11



SECTION 5
E11

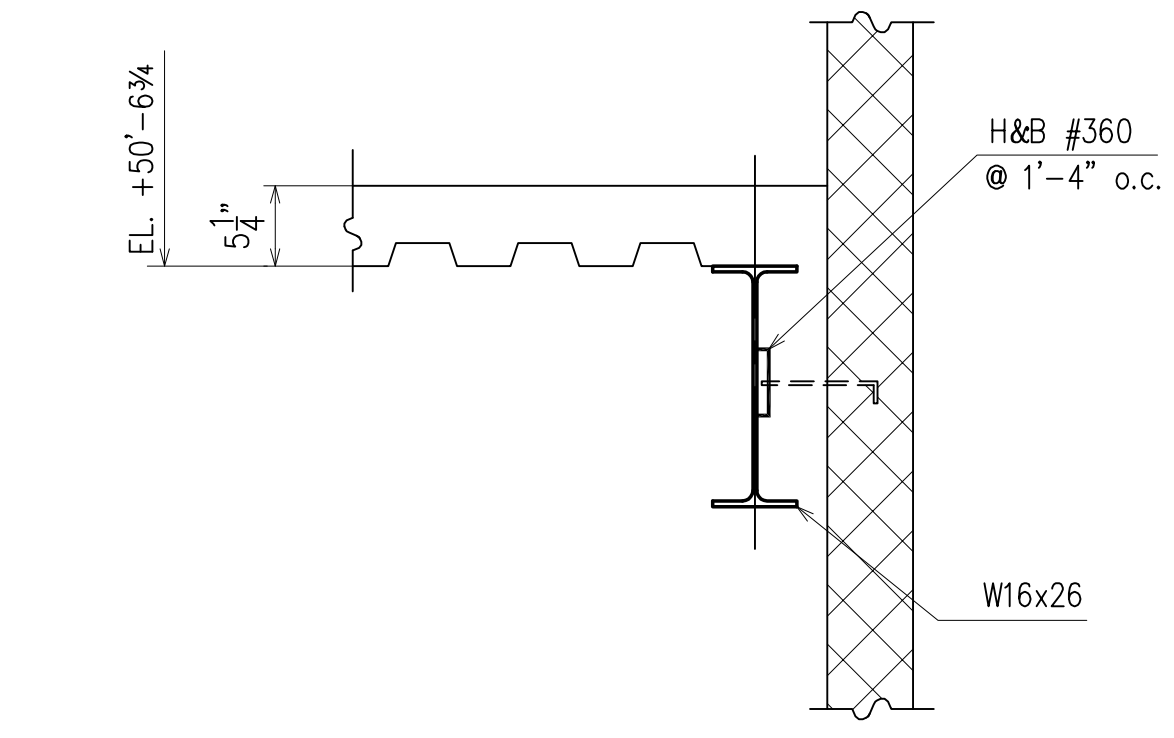
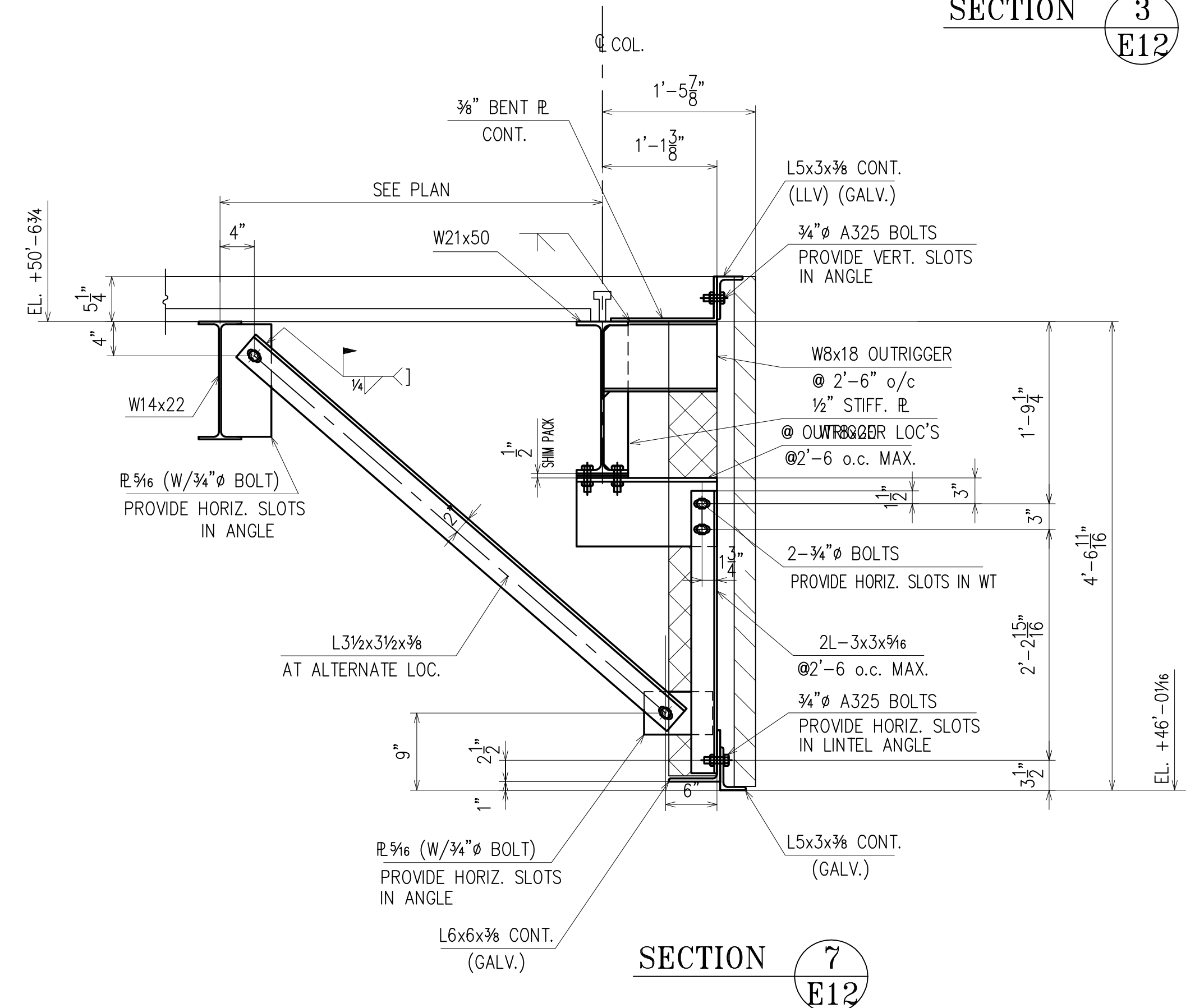
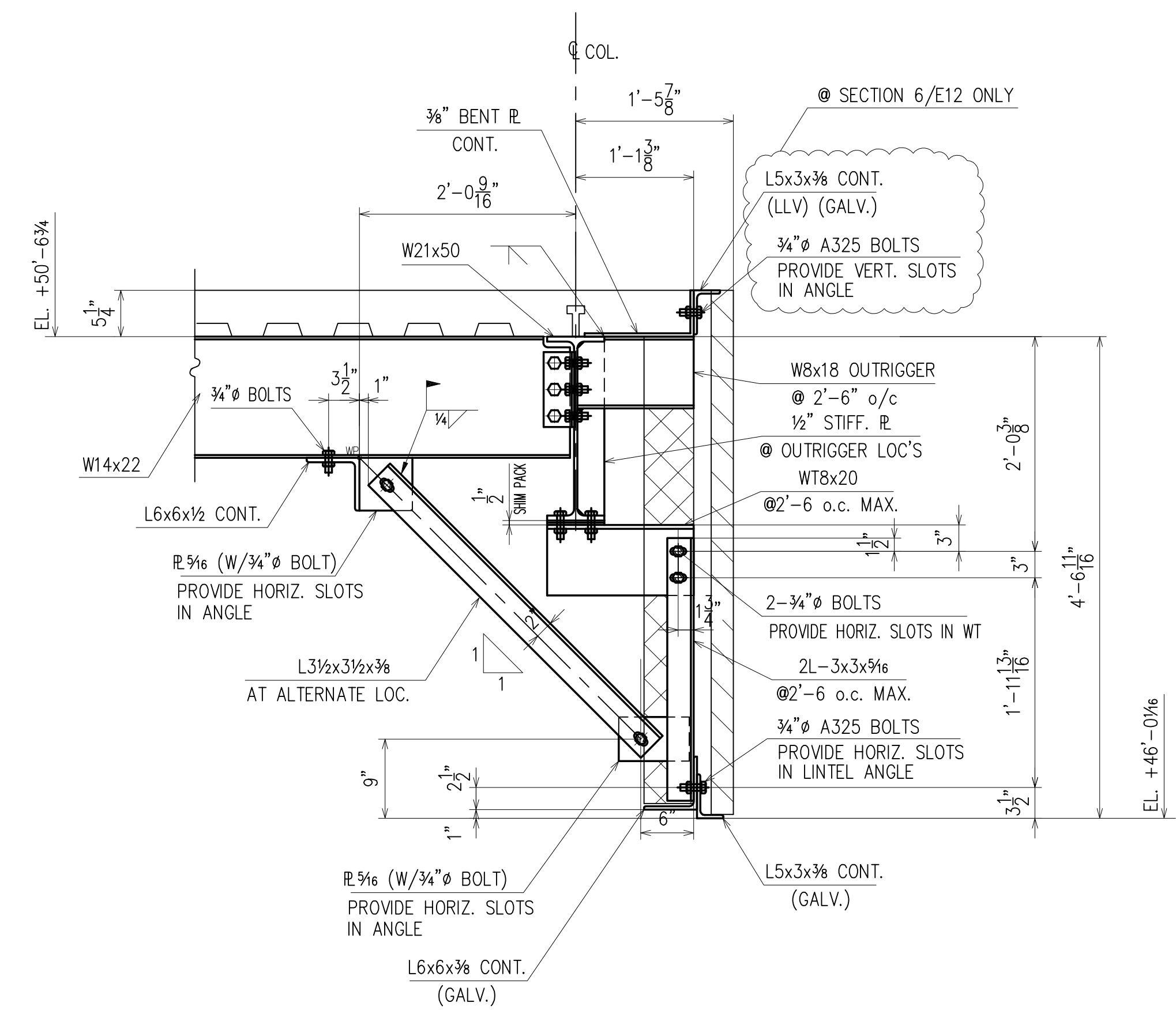
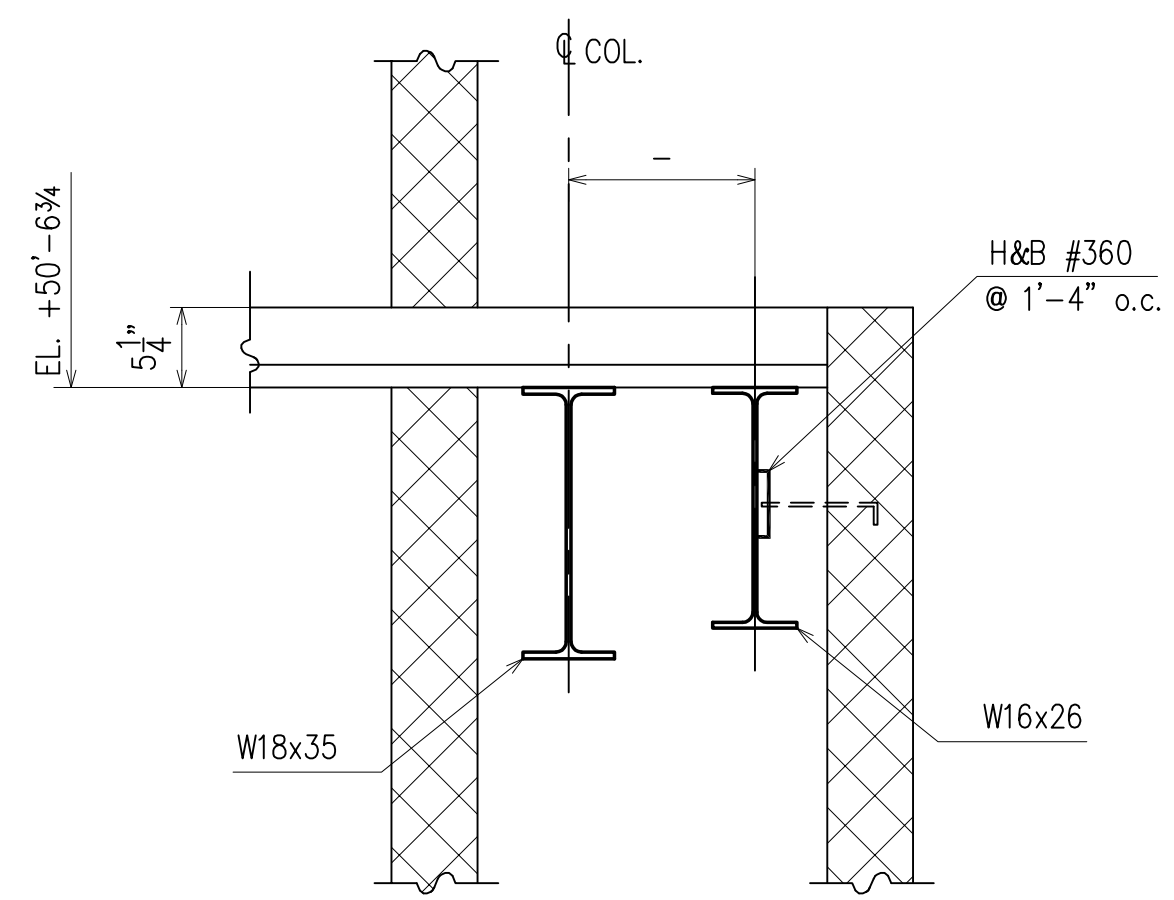
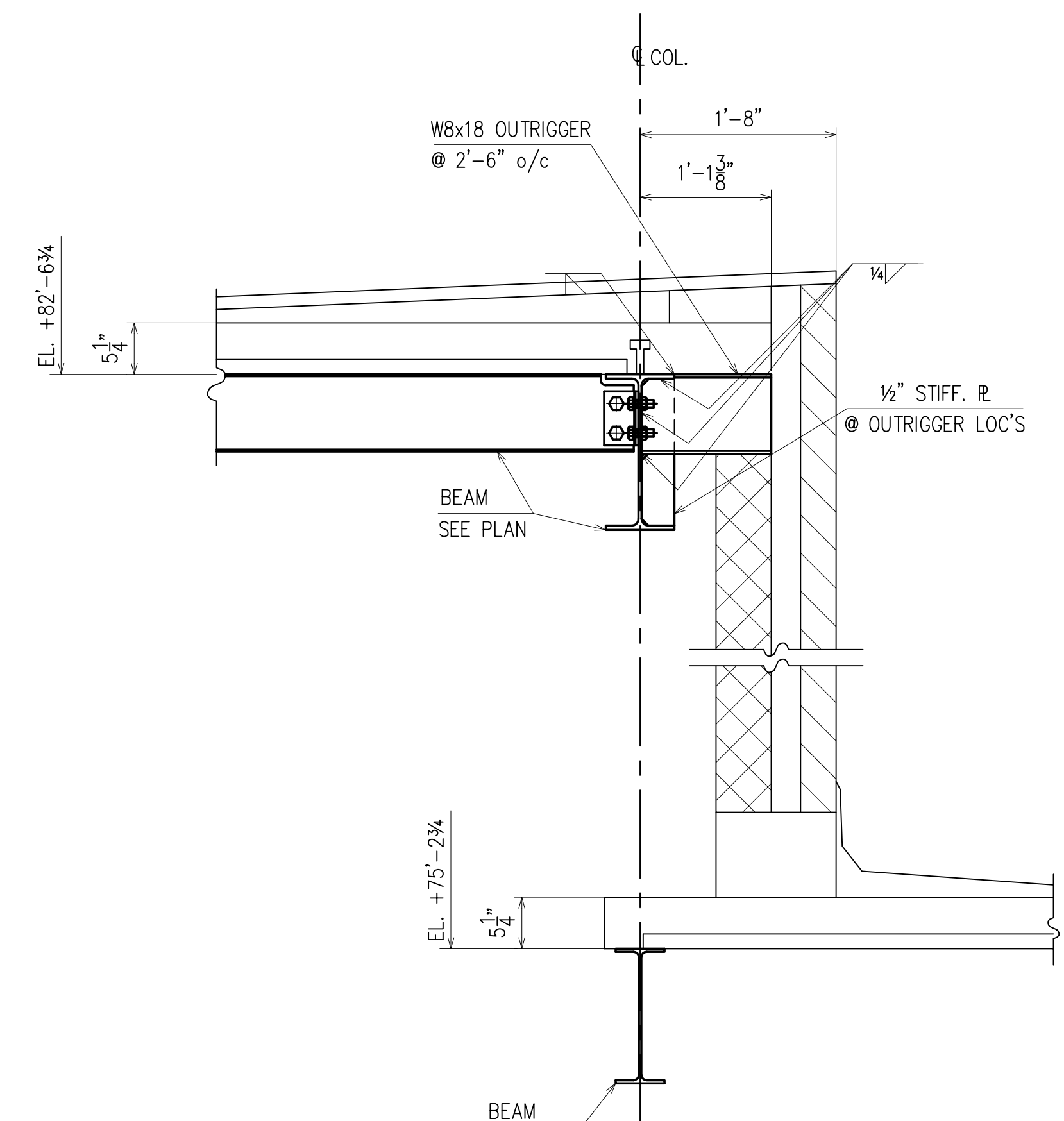
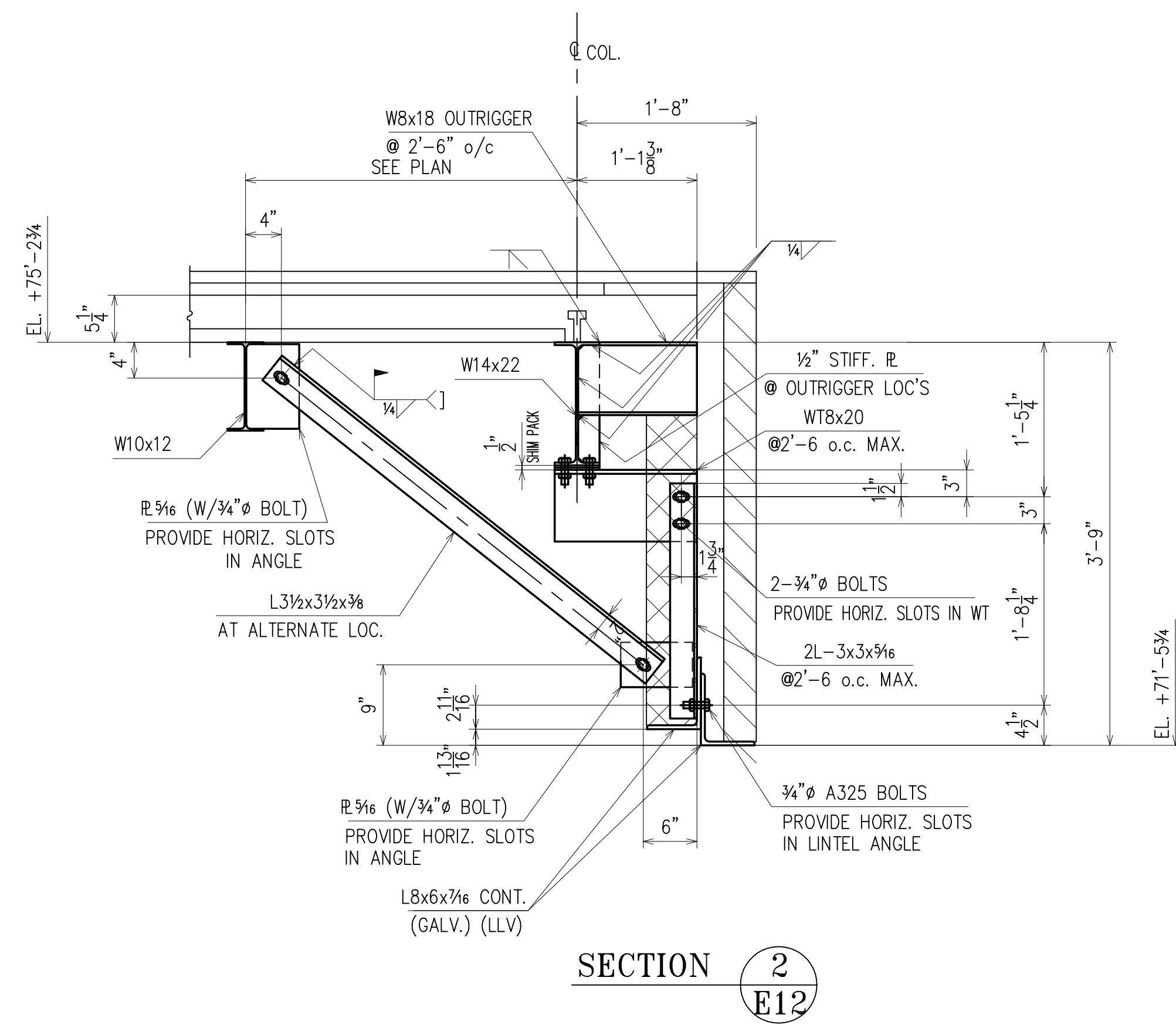
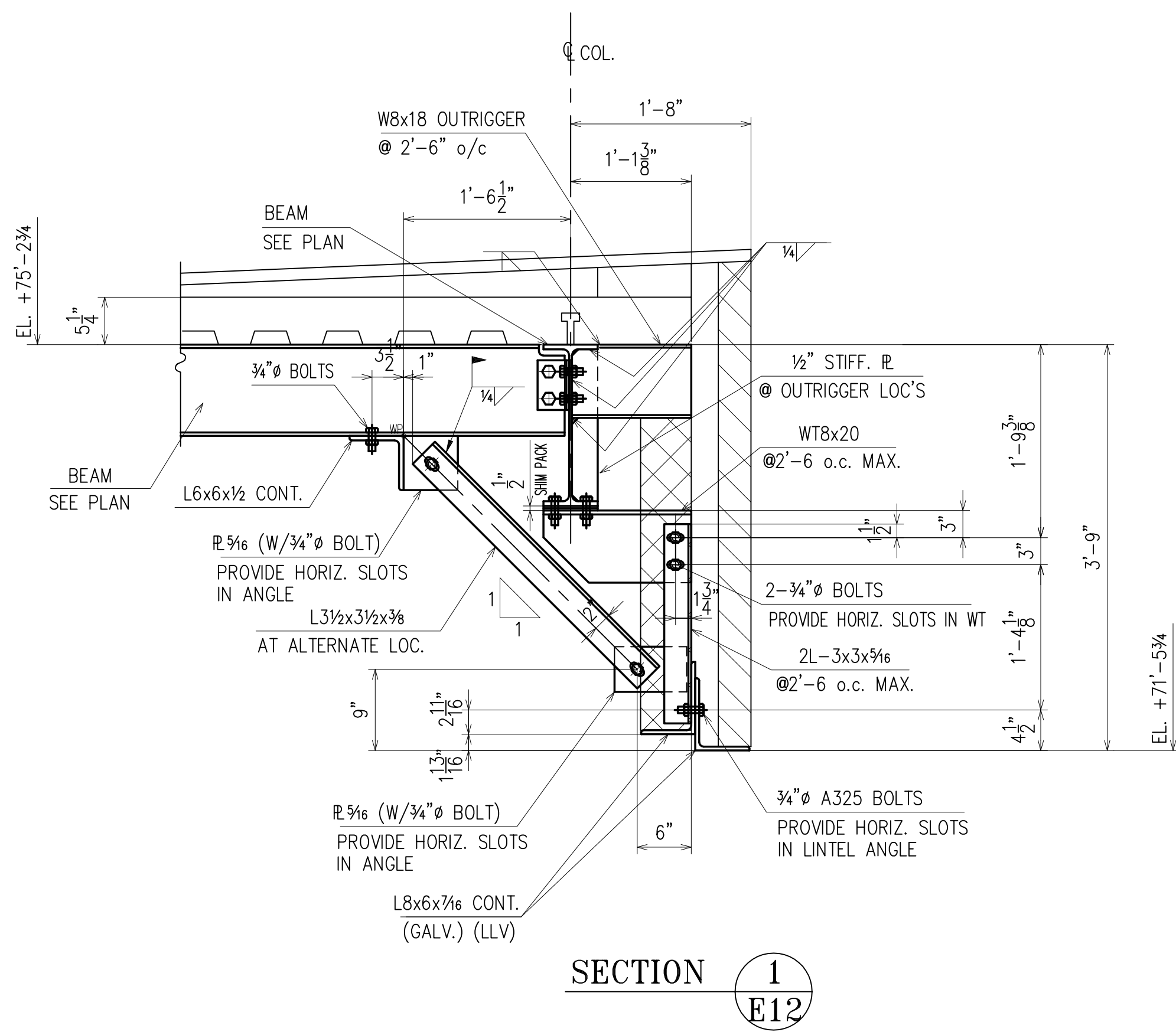


SECTION 6
E11

APPROVAL/REVIEW AUTHORITY:
PLEASE REVIEW THIS DRAWING CAREFULLY.
IT REPRESENTS OUR INTERPRETATION OF THE INTENT OF THE CONTRACT DOCUMENTS. HOWEVER, THE STEEL FABRICATOR AND THE STRUCTURAL STEEL DETAILER ASSUME NO RESPONSIBILITY FOR THE ACCURACY OF THE INFORMATION SHOWN ON THIS DRAWING. THIS IS THE RESPONSIBILITY OF THE BUYER.
IT WILL BE ASSUMED THAT ALL INFORMATION SHOWN HEREIN HAS THE AFFIRMATION OF THE APPROVAL AUTHORITY UNLESS NOTED TO THE CONTRARY ON THIS DRAWING WHEN IT IS RETURNED FROM APPROVAL.
SUBSEQUENT CHANGES TO INFORMATION SHOWN ON THESE DRAWINGS AFTER FIRST SUBMISSION WILL BE CONSIDERED AS CONTRACT CHANGES.
ADOPTED BY THE NATIONAL INSTITUTE OF STEEL DETAILING 1977.

DRAWINGS PREPARED BY:	
DIVISION FIVE DETAILING INC.	
1770 Gallagher Drive	
Vineland, New Jersey 08360	
Phone: (856) 794-9474	
Fax: (856) 696-2027	

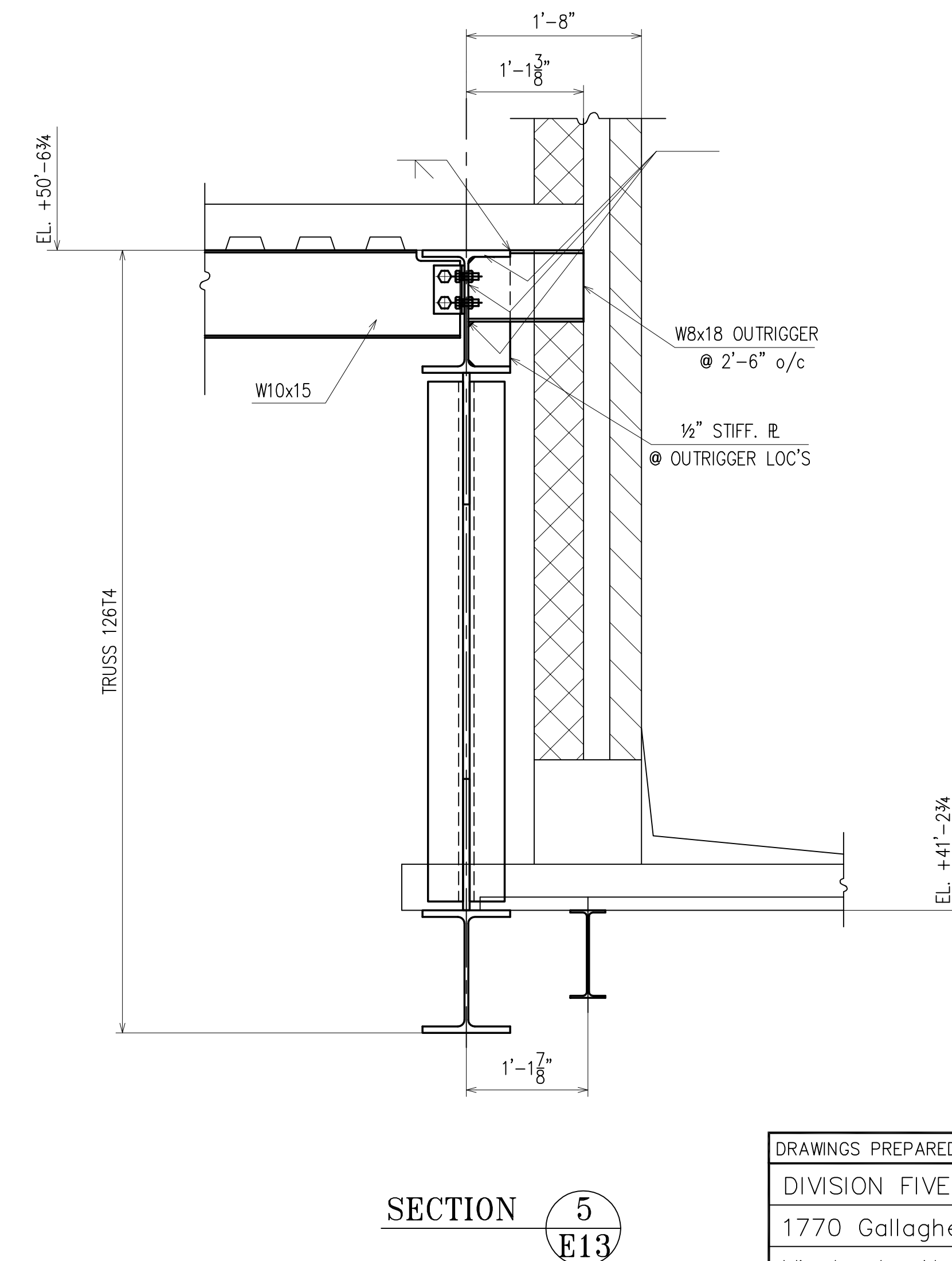
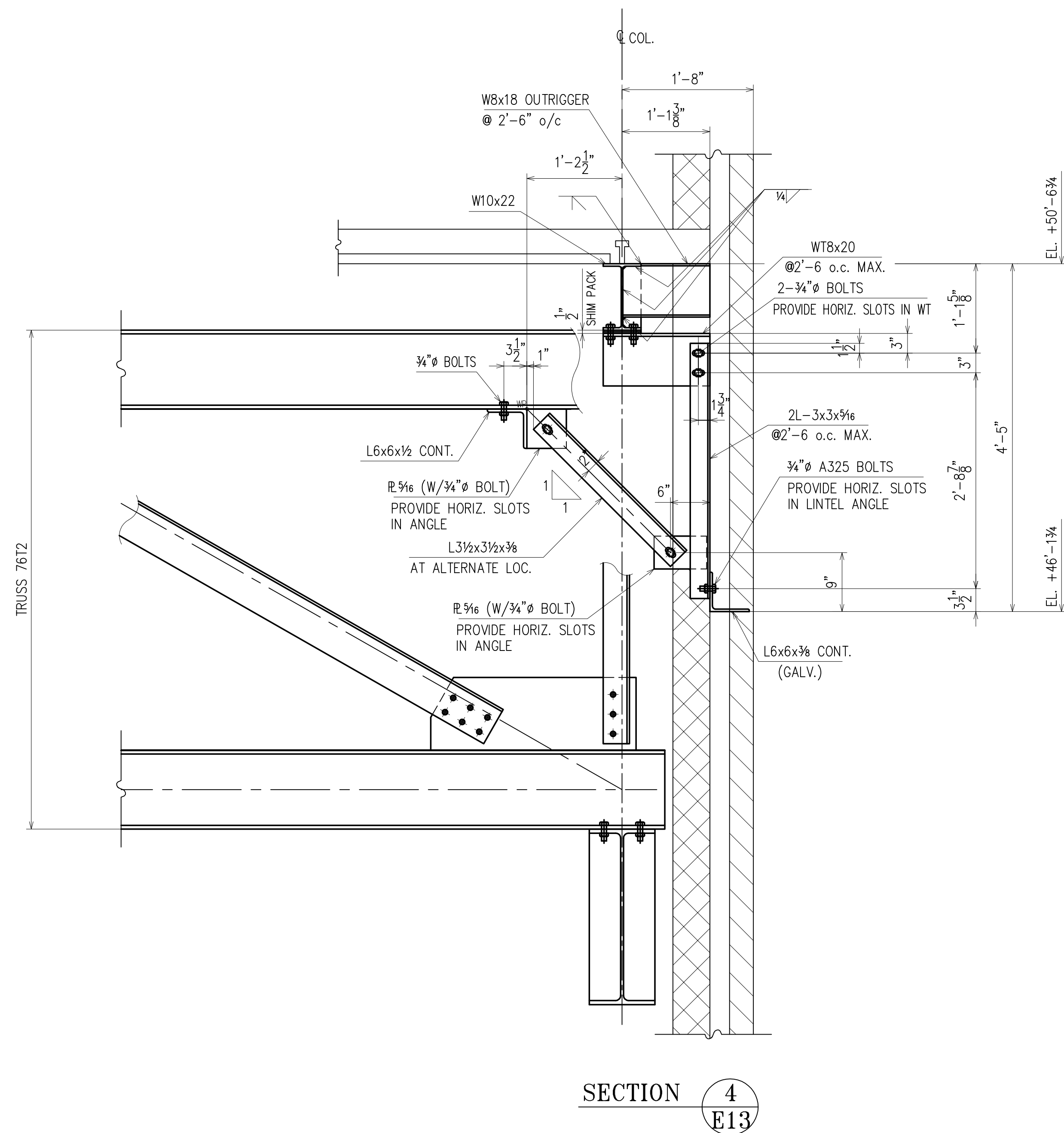
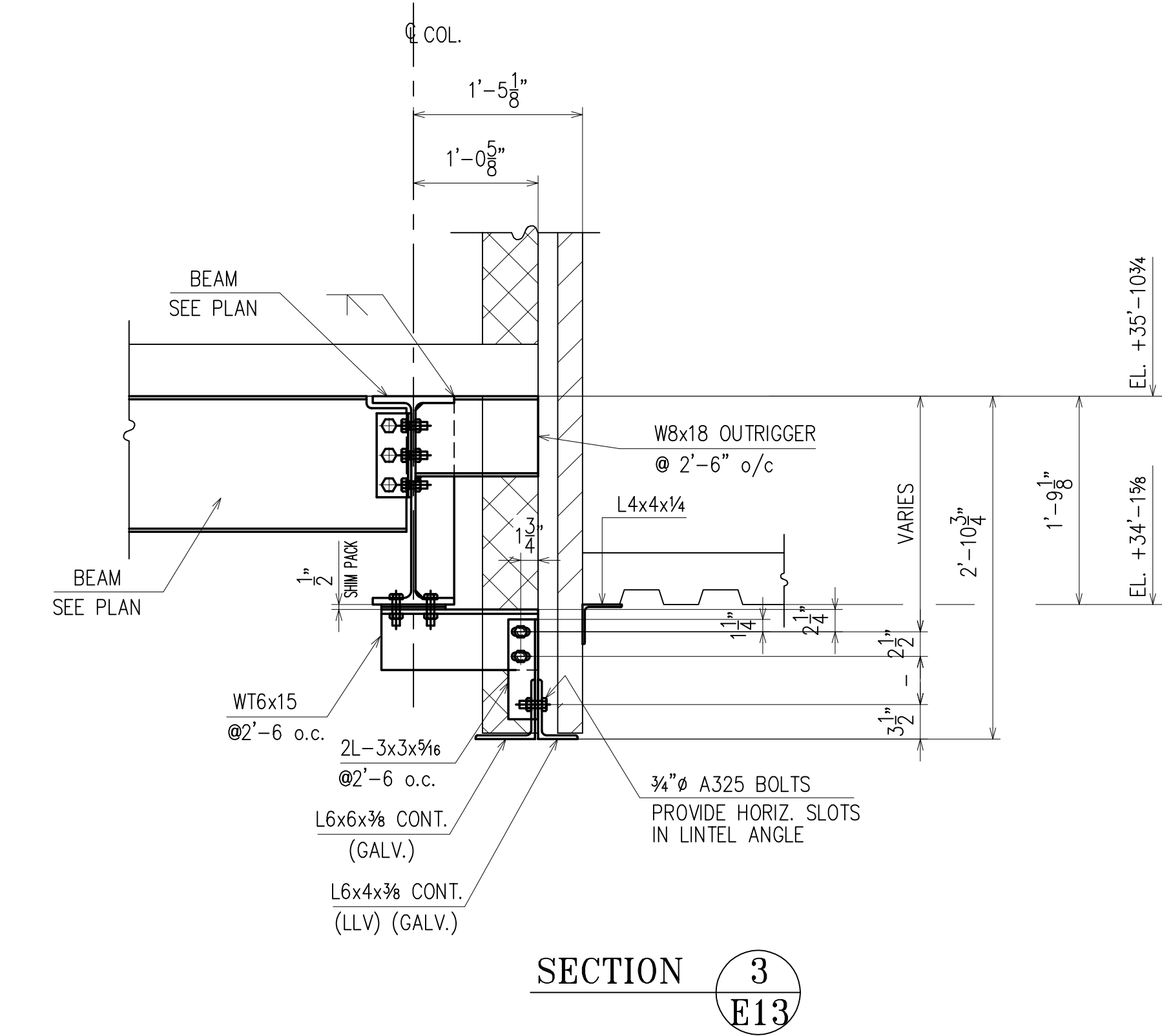
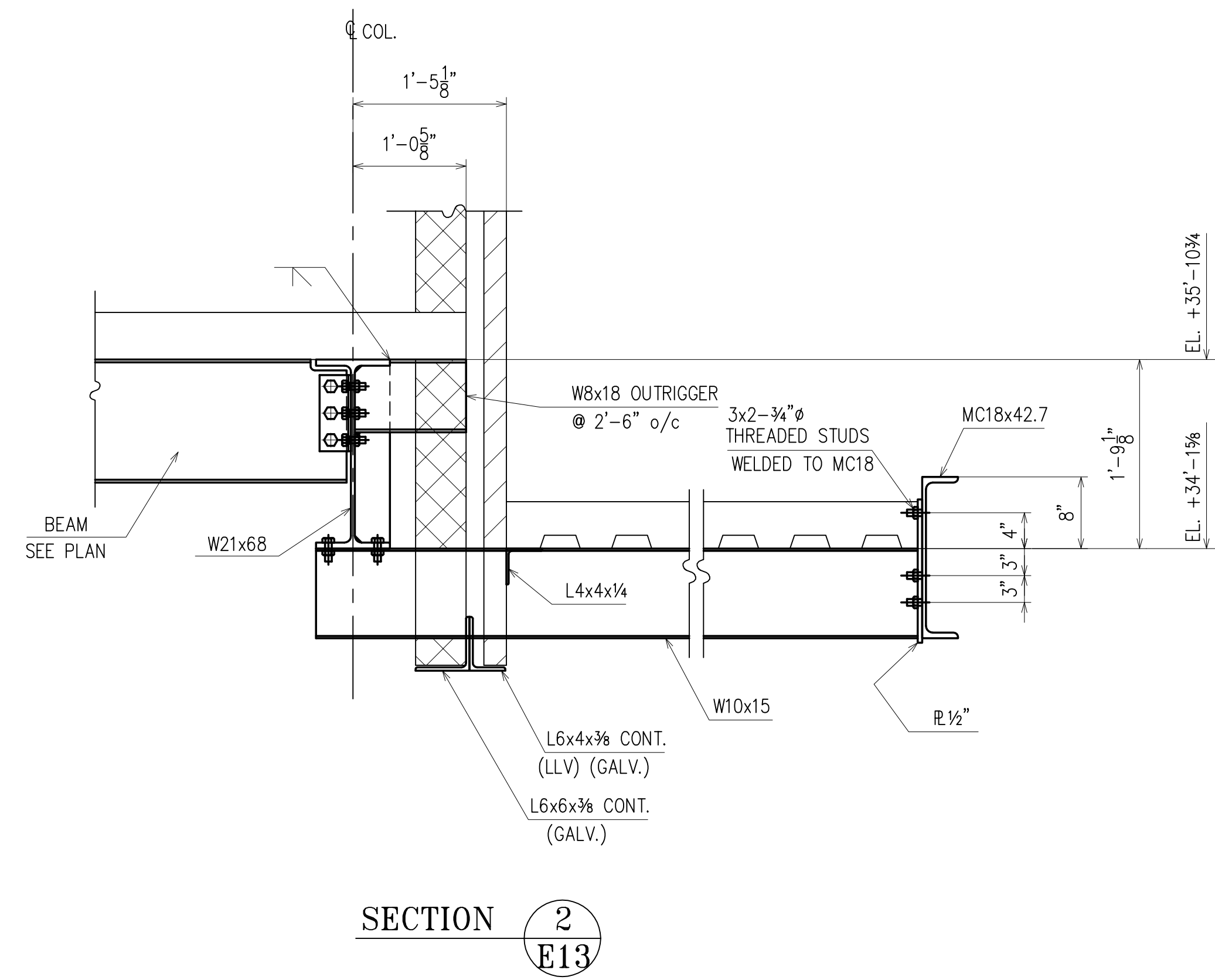
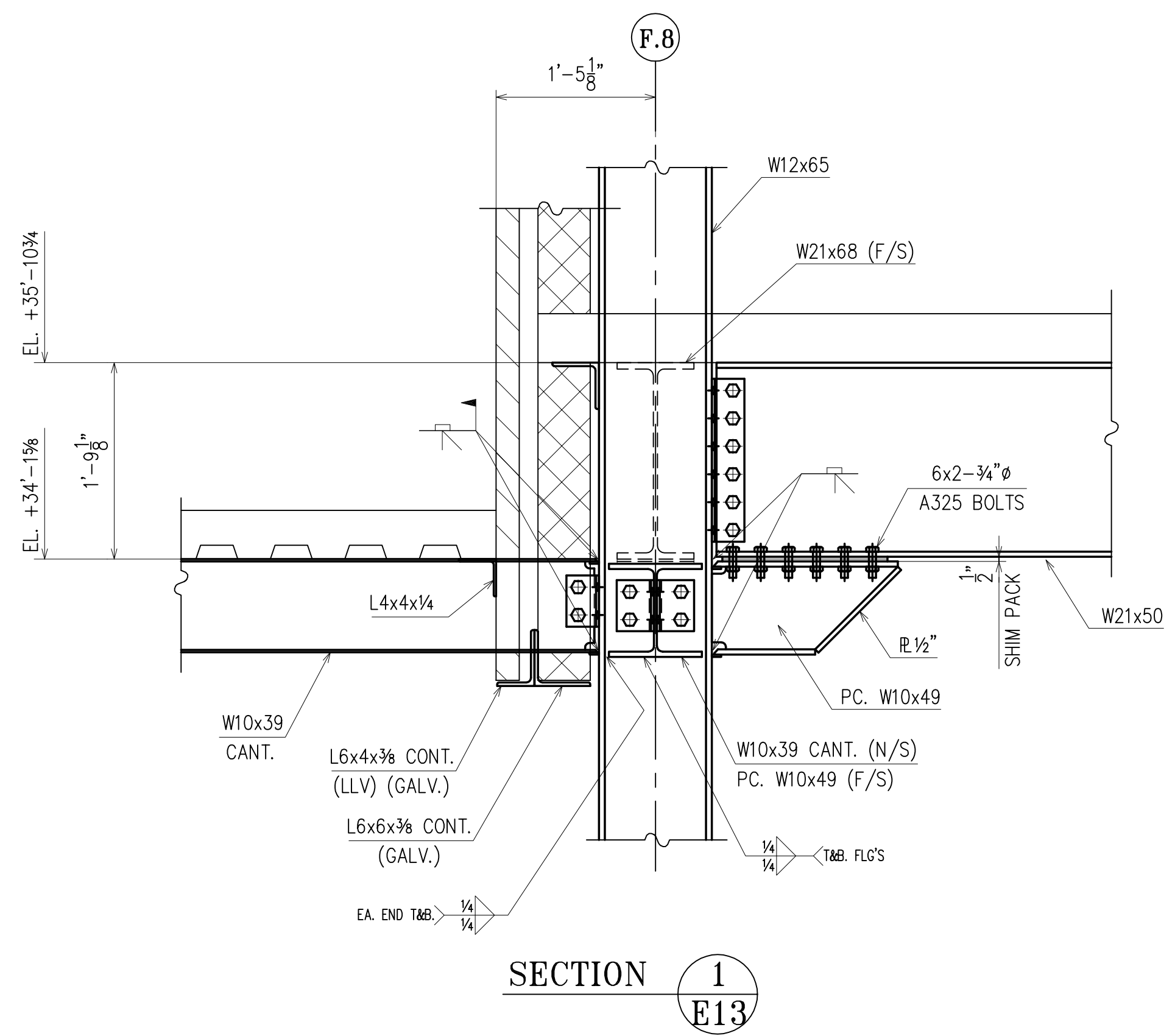
PAIN: ONE SHOP COAT U/NOTED					FOR FIELD
MATERIAL: A36 U/NOTED					4th APPVL
HOLES: 13/16 U/NOTED					3rd APPVL
ELECTRODES: E70XX					2nd APPVL
TOTAL WEIGHT	NO DATE	DESCRIPTION	NO DATE	DESCRIPTION	1st APPVL
	REVISIONS				DATE
CUSTOMER: WEIR WELDING CO. INC.					
316 12th STREET CARLSTADT, NJ 07072					
PHONE: (201) 939-2284 FAX: (201) 939-5525					
DRAFTER SIm	PROJECT:	P.S. 253-Q			CONTRACT NO
DATE 4/05/02	LOCATION:	FAR ROCKAWAY, QUEENS, NY			S-642
CHECKED	DWG TITLE:	SECTIONS			DWG NO
DATE					E11



APPROVAL/REVIEW AUTHORITY:
PLEASE REVIEW THIS DRAWING CAREFULLY.
IT REPRESENTS OUR INTERPRETATION OF THE INTENT
OF THE CONTRACT DOCUMENTS. HOWEVER, THE STEEL
FABRICATOR AND THE STRUCTURAL STEEL DETAILER
ASSUME NO RESPONSIBILITY FOR THE ACCURACY OF THE
INFORMATION SHOWN ON THIS DRAWING. THIS IS THE
RESPONSIBILITY OF THE BUYER.
IT WILL BE ASSUMED THAT ALL INFORMATION SHOWN
HEREIN HAS THE AFFIRMATION OF THE APPROVAL
AUTHORITY UNLESS NOTED TO THE CONTRARY ON THIS
DRAWING WHEN IT IS RETURNED FOR APPROVAL.
SUBSEQUENT CHANGES TO INFORMATION SHOWN ON
THESE DRAWINGS AFTER FIRST SUBMISSION WILL BE
CONSIDERED AS CONTRACT CHANGES.
ADOPTED BY THE NATIONAL INSTITUTE OF STEEL DETAILING 1977.

DRAWINGS PREPARED BY:	
DIVISION FIVE DETAILING INC.	
1770 Gallagher Drive	
Vineland, New Jersey 08360	
Phone: (856) 794-9474	
Fax: (856) 696-2027	

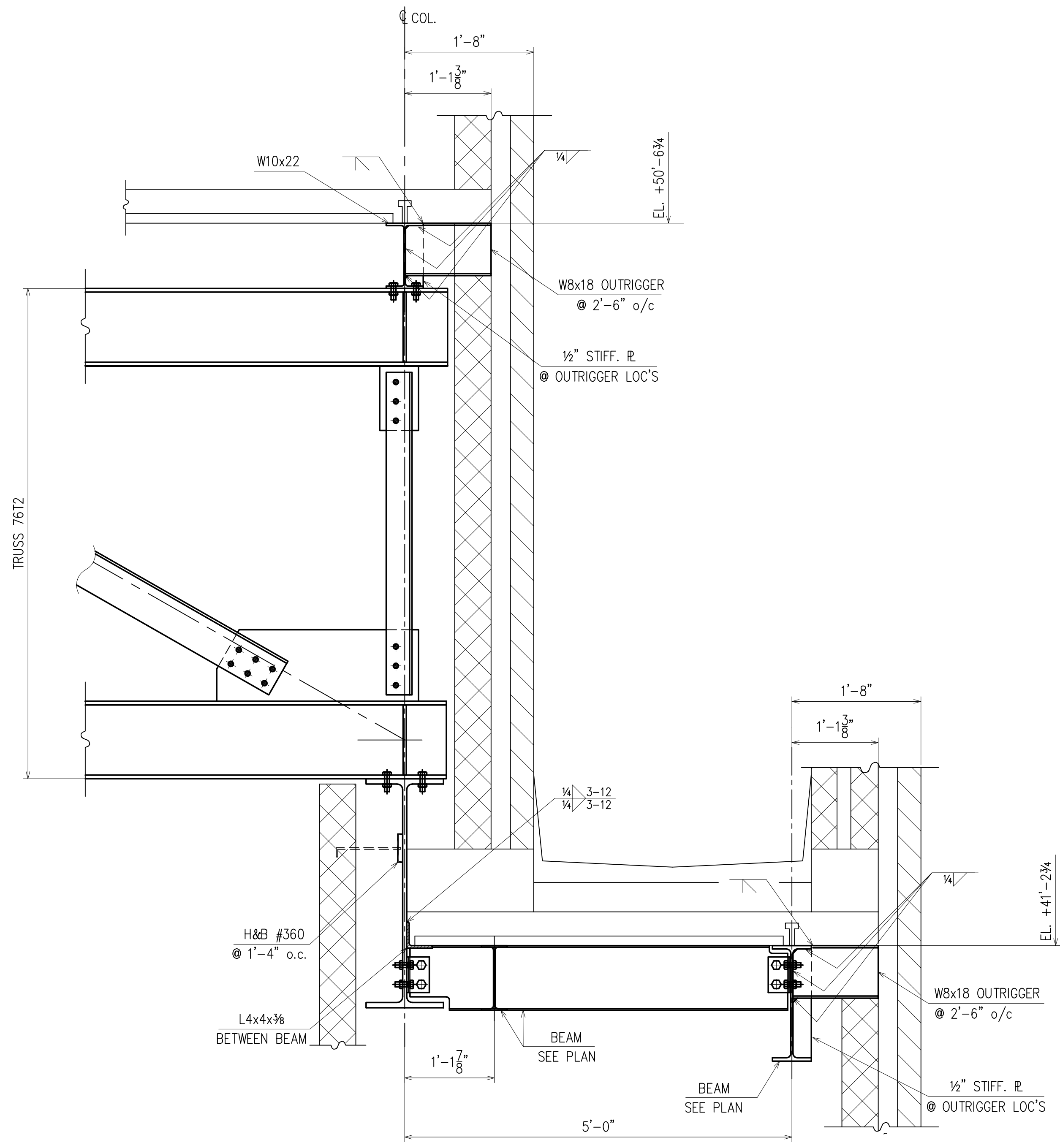
PAIN: ONE SHOP COAT U/NOTED					FOR FIELD
MATERIAL: A36 U/NOTED					4th APPVL
HOLES: 13/16 U/NOTED					3rd APPVL
ELECTRODES: E70XX					2nd APPVL
TOTAL WEIGHT	NO DATE	DESCRIPTION	NO DATE	DESCRIPTION	1st APPVL
REVISIONS					DATE
CUSTOMER:					ISSUE
WEIR WELDING CO. INC.					
316 12th STREET CARLSTADT, NJ 07072					
PHONE: (201) 939-2284 FAX: (201) 939-5525					
DRAFTER SIm	PROJECT:	P.S. 253-Q		CONTRACT NO	
DATE 4/06/02	LOCATION:	FAR ROCKAWAY, QUEENS, NY		S-642	
CHECKED	DWG TITLE:	SECTIONS		DWG NO	
DATE				E12	



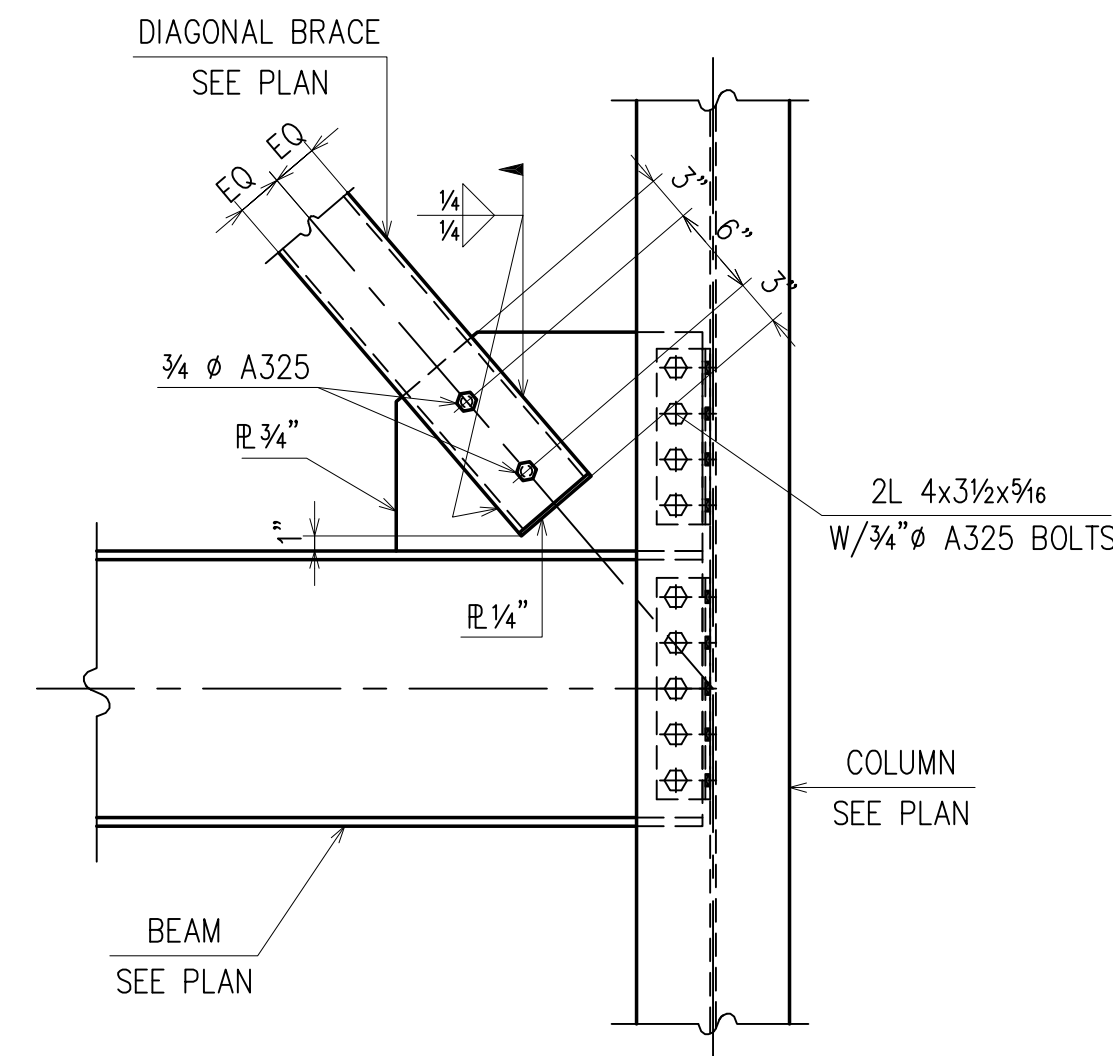
APPROVAL/REVIEW AUTHORITY:
PLEASE REVIEW THIS DRAWING CAREFULLY.
IT REPRESENTS OUR INTERPRETATION OF THE INTENT OF THE CONTRACT DOCUMENTS. HOWEVER, THE STEEL FABRICATOR AND THE STRUCTURAL STEEL DETAILER ASSUME NO RESPONSIBILITY FOR THE ACCURACY OF THE INFORMATION SHOWN ON THIS DRAWING. THIS IS THE RESPONSIBILITY OF THE BUYER.
IT WILL BE ASSUMED THAT ALL INFORMATION SHOWN HEREIN HAS THE AFFIRMATION OF THE APPROVAL AUTHORITY UNLESS NOTED TO THE CONTRARY ON THIS DRAWING WHEN IT IS RETURNED FROM APPROVAL.
SUBSEQUENT CHANGES TO INFORMATION SHOWN ON THESE DRAWINGS AFTER FIRST SUBMISSION WILL BE CONSIDERED AS CONTRACT CHANGES.
ADOPTED BY THE NATIONAL INSTITUTE OF STEEL DETAILING 1977.

DRAWINGS PREPARED BY:
DIVISION FIVE DETAILING INC.
1770 Gallagher Drive
Vineland, New Jersey 08360
Phone: (856) 794-9474
Fax: (856) 696-2027

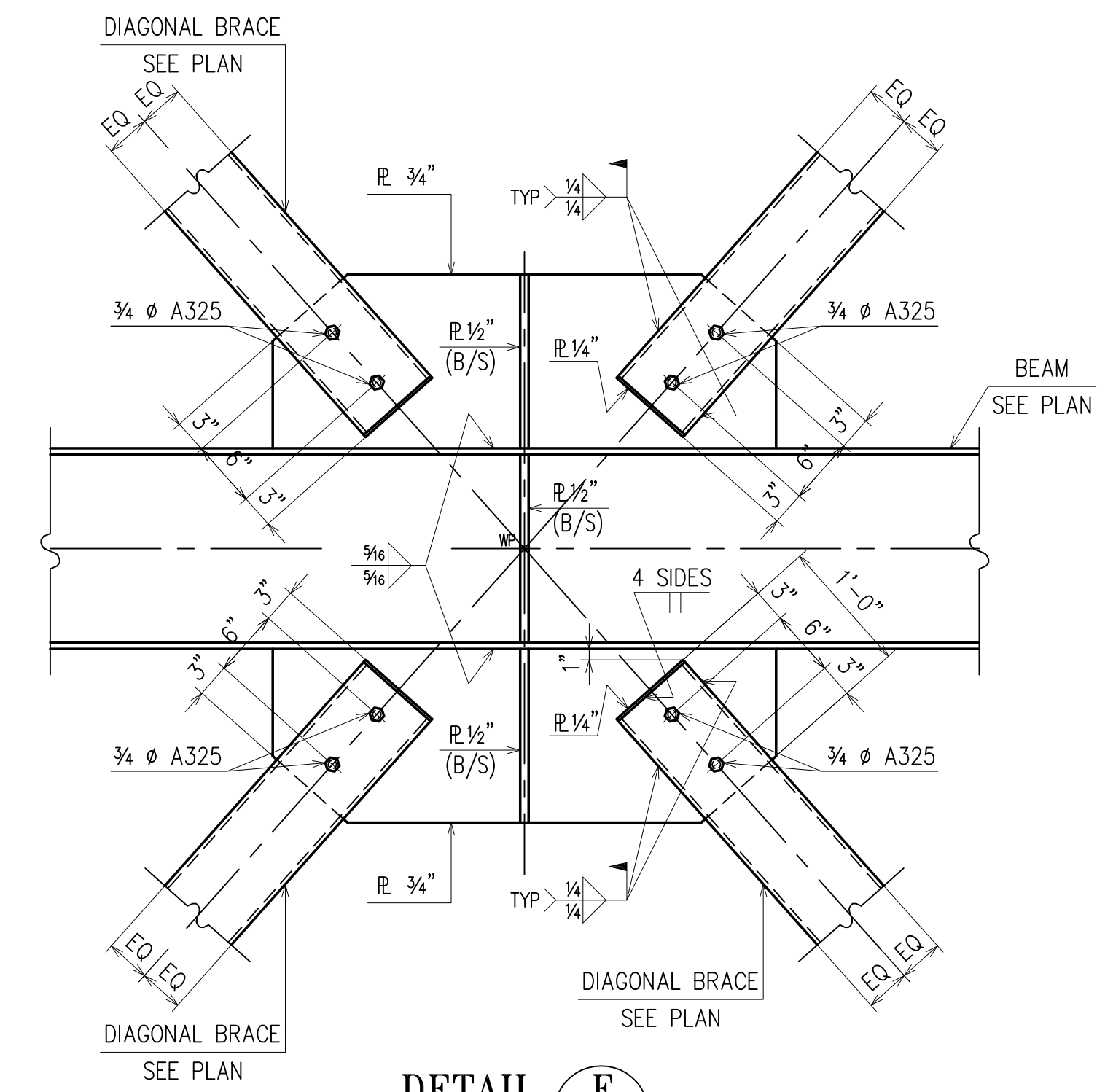
PAIN: ONE SHOP COAT U/NOTED					FOR FIELD
MATERIAL: A36 U/NOTED					4th APPVL
HOLES: 13/16 U/NOTED					3rd APPVL
ELECTRODES: E70XX					2nd APPVL
TOTAL WEIGHT	NO DATE	DESCRIPTION	NO DATE	DESCRIPTION	1st APPVL
	REVISIONS				DATE
CUSTOMER: WEIR WELDING CO. INC.					
316 12th STREET CARLSTADT, NJ 07072 PHONE: (201) 939-2284 FAX: (201) 939-5525					
DRAFTER SIm	PROJECT: P.S. 253-Q	CONTRACT NO			
DATE 4/06/02	LOCATION: FAR ROCKAWAY, QUEENS, NY	S-642			
CHECKED	DWG TITLE: SECTIONS	DWG NO			
DATE		E13			



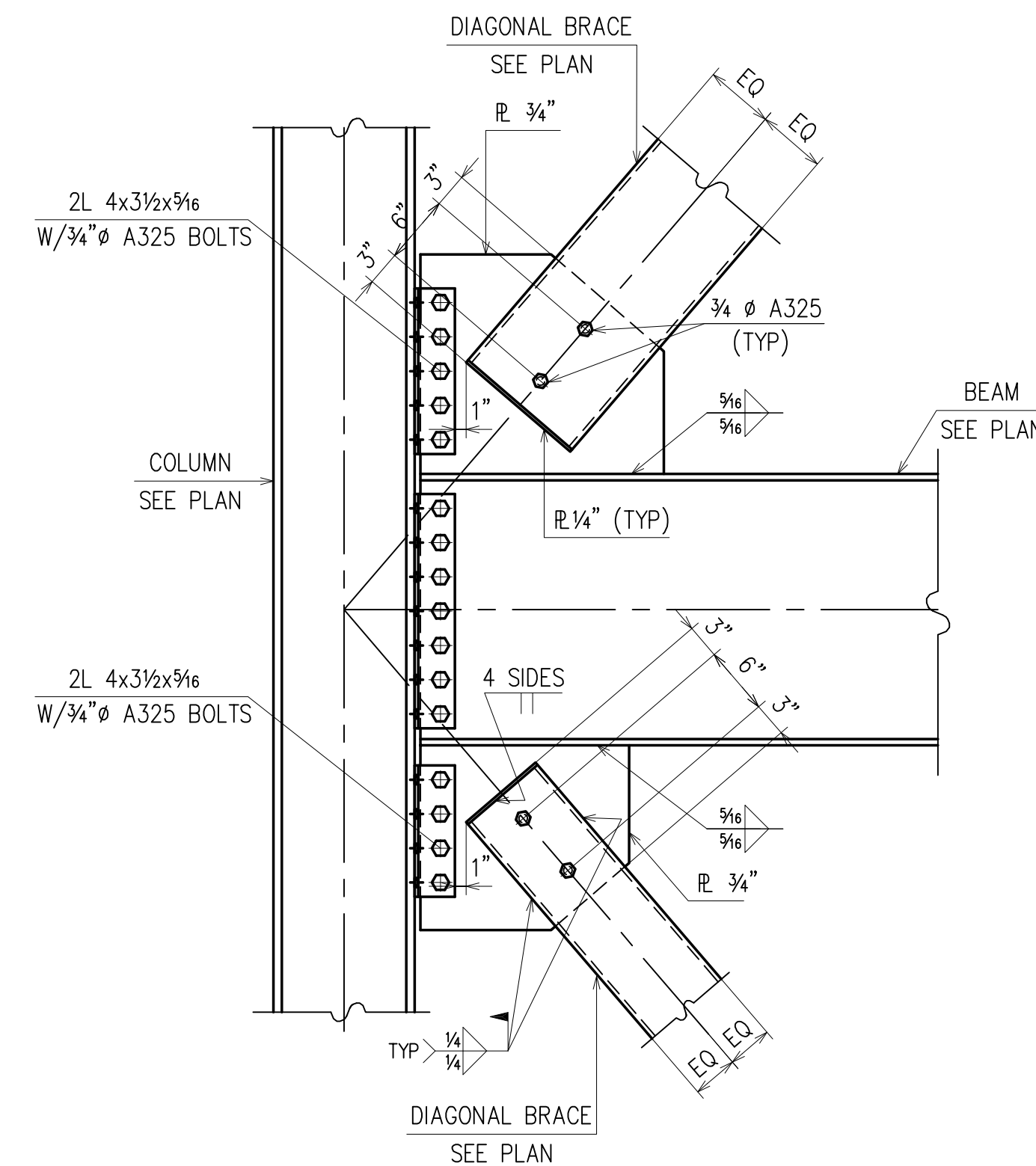
SECTION 1
E14



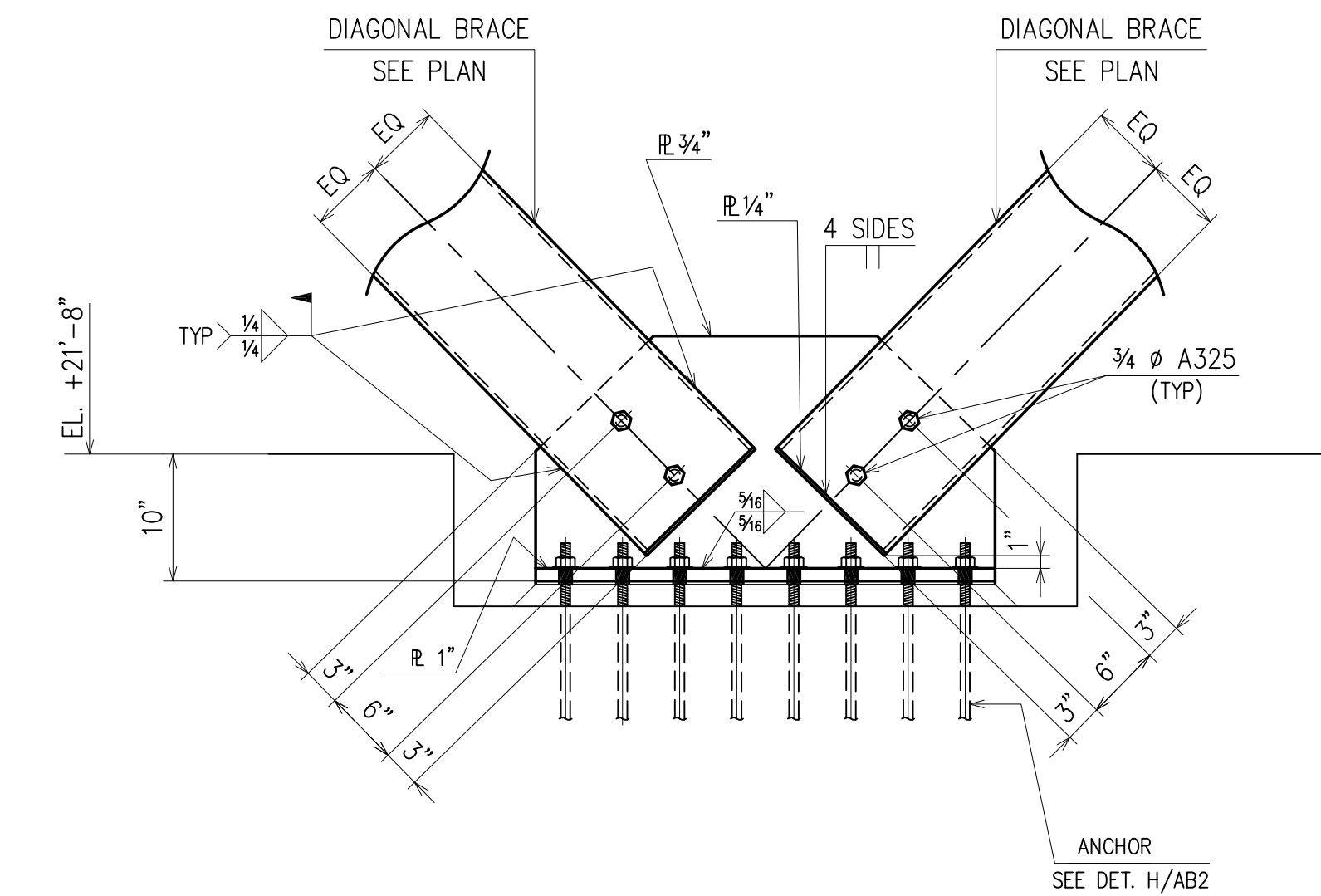
DETAIL C
E14



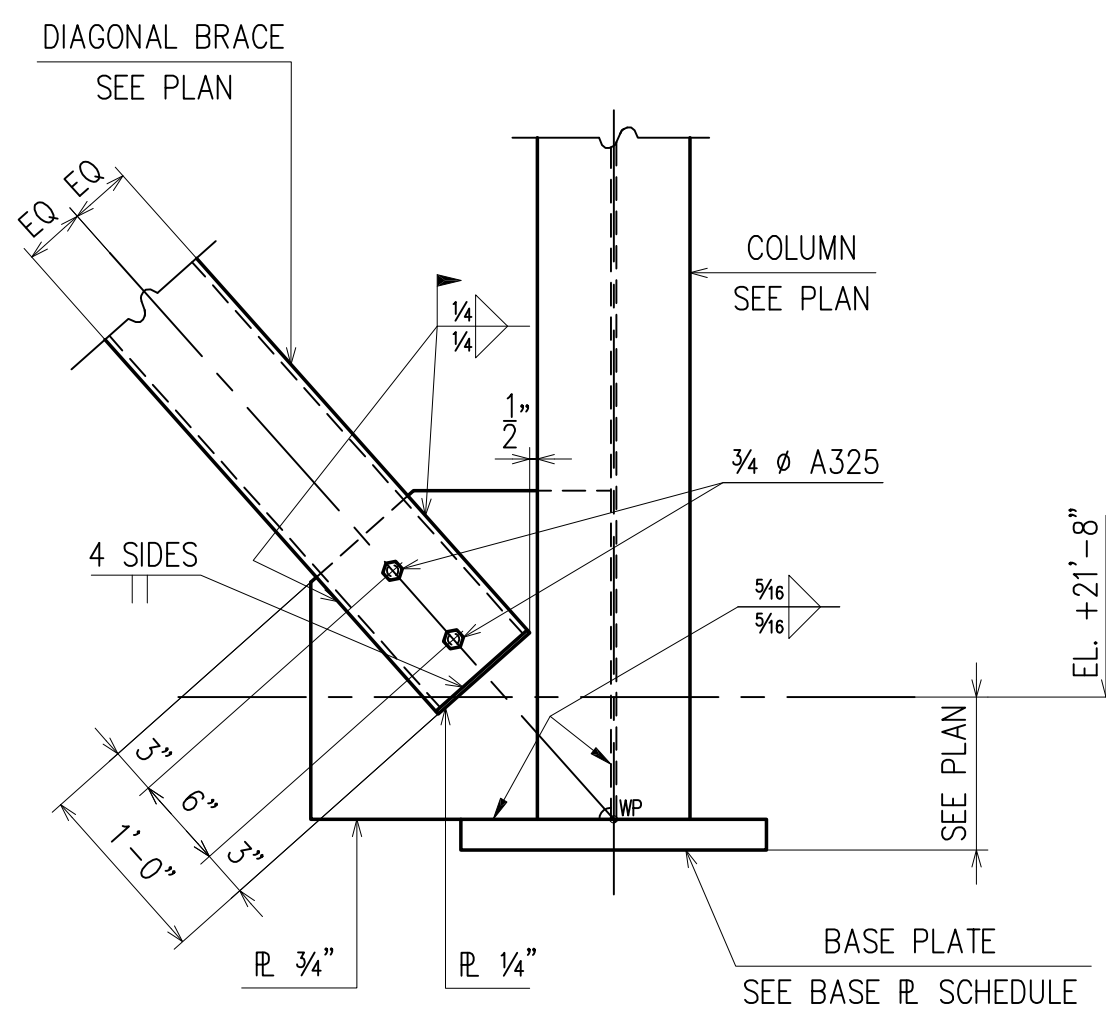
DETAIL E
E14



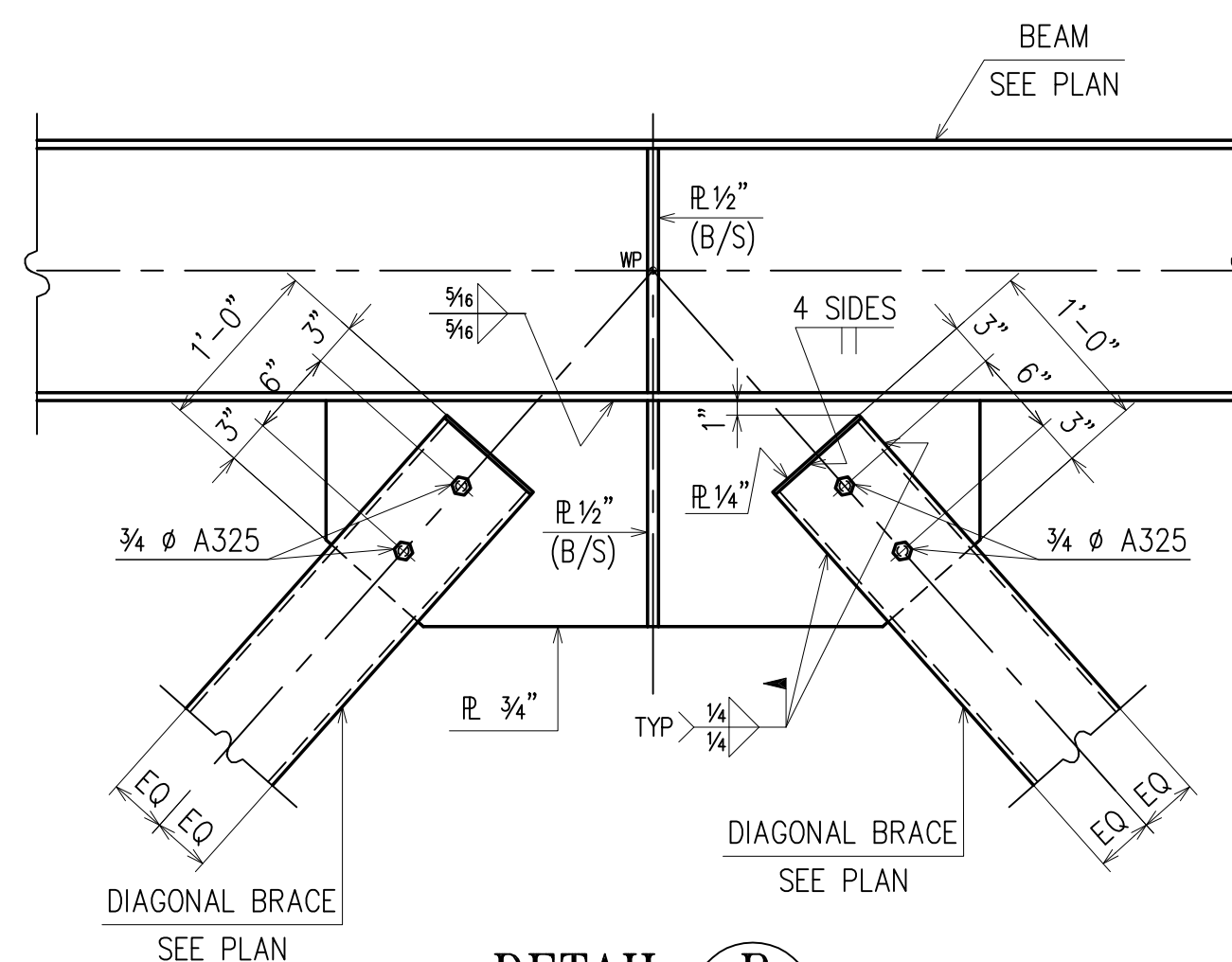
DETAIL D
E14



DETAIL F
E14



DETAIL A
E14

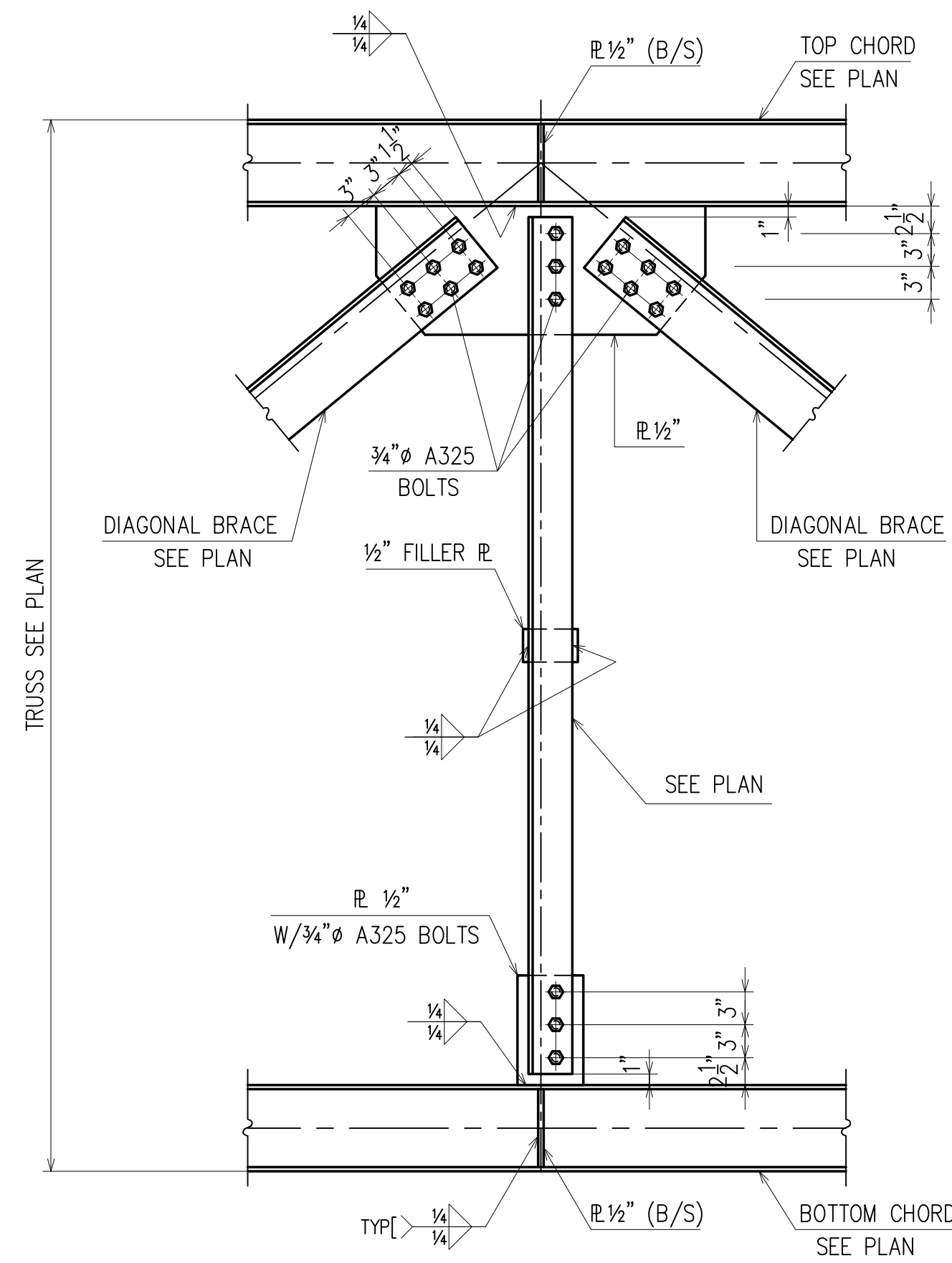


DETAIL B
E14

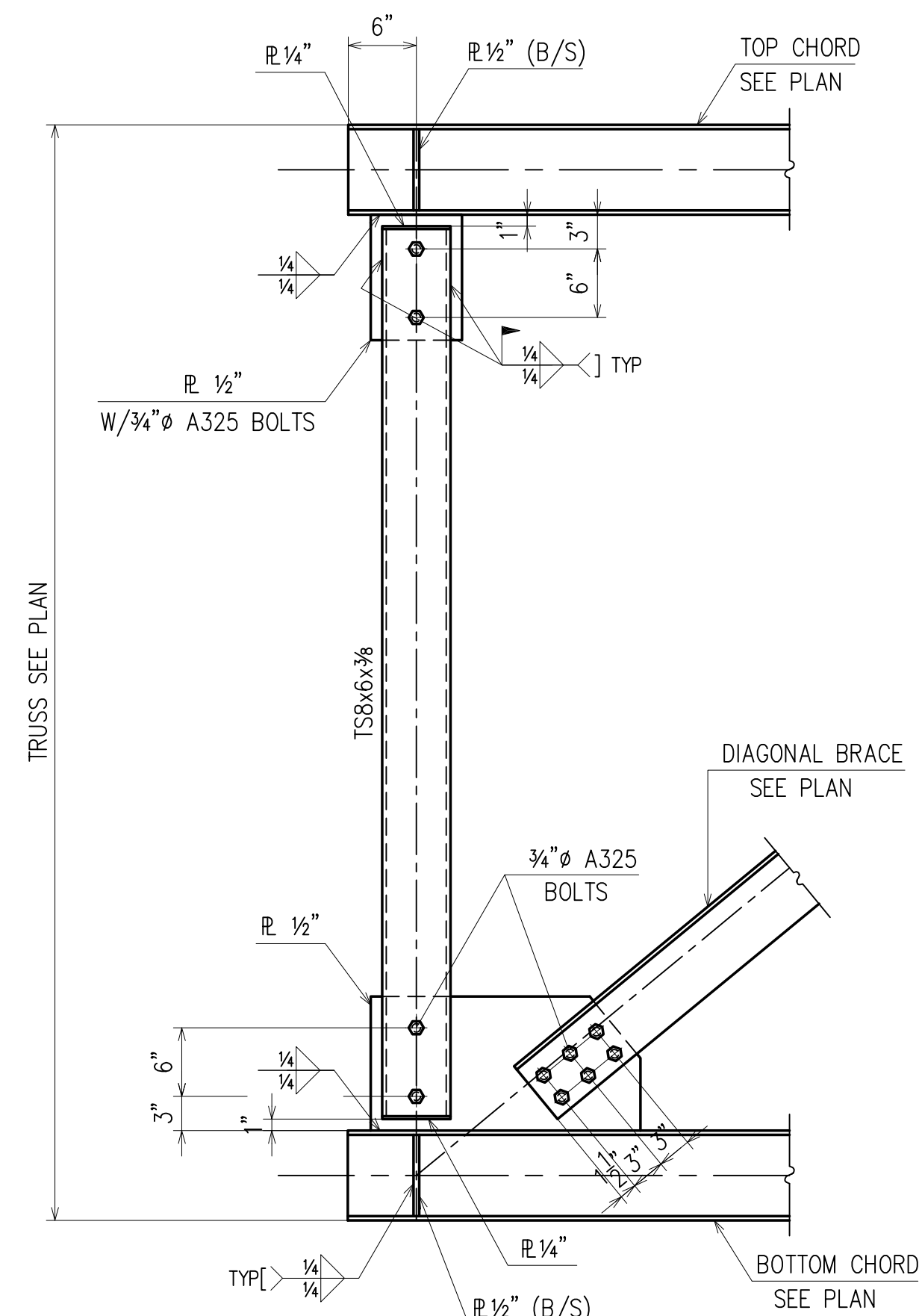
APPROVAL/REVIEW AUTHORITY:
PLEASE REVIEW THIS DRAWING CAREFULLY.
IT REPRESENTS OUR INTERPRETATION OF THE INTENT OF THE CONTRACT DOCUMENTS. HOWEVER, THE STEEL FABRICATOR AND THE STRUCTURAL STEEL DETAILER ASSUME NO RESPONSIBILITY FOR THE ACCURACY OF THE INFORMATION SHOWN ON THIS DRAWING. THIS IS THE RESPONSIBILITY OF THE BUYER.
IT WILL BE ASSUMED THAT ALL INFORMATION SHOWN HEREIN HAS THE AFFIRMATION OF THE APPROVAL AUTHORITY UNLESS NOTED TO THE CONTRARY ON THIS DRAWING WHEN IT IS RETURNED FROM APPROVAL.
SUBSEQUENT CHANGES TO INFORMATION SHOWN ON THESE DRAWINGS AFTER FIRST SUBMISSION WILL BE CONSIDERED AS CONTRACT CHANGES.
ADOPTED BY THE NATIONAL INSTITUTE OF STEEL DETAILING 1977.

DRAWINGS PREPARED BY:	
DIVISION FIVE DETAILING INC.	
1770 Gallagher Drive	
Vineland, New Jersey 08360	
Phone: (856) 794-9474	
Fax: (856) 696-2027	

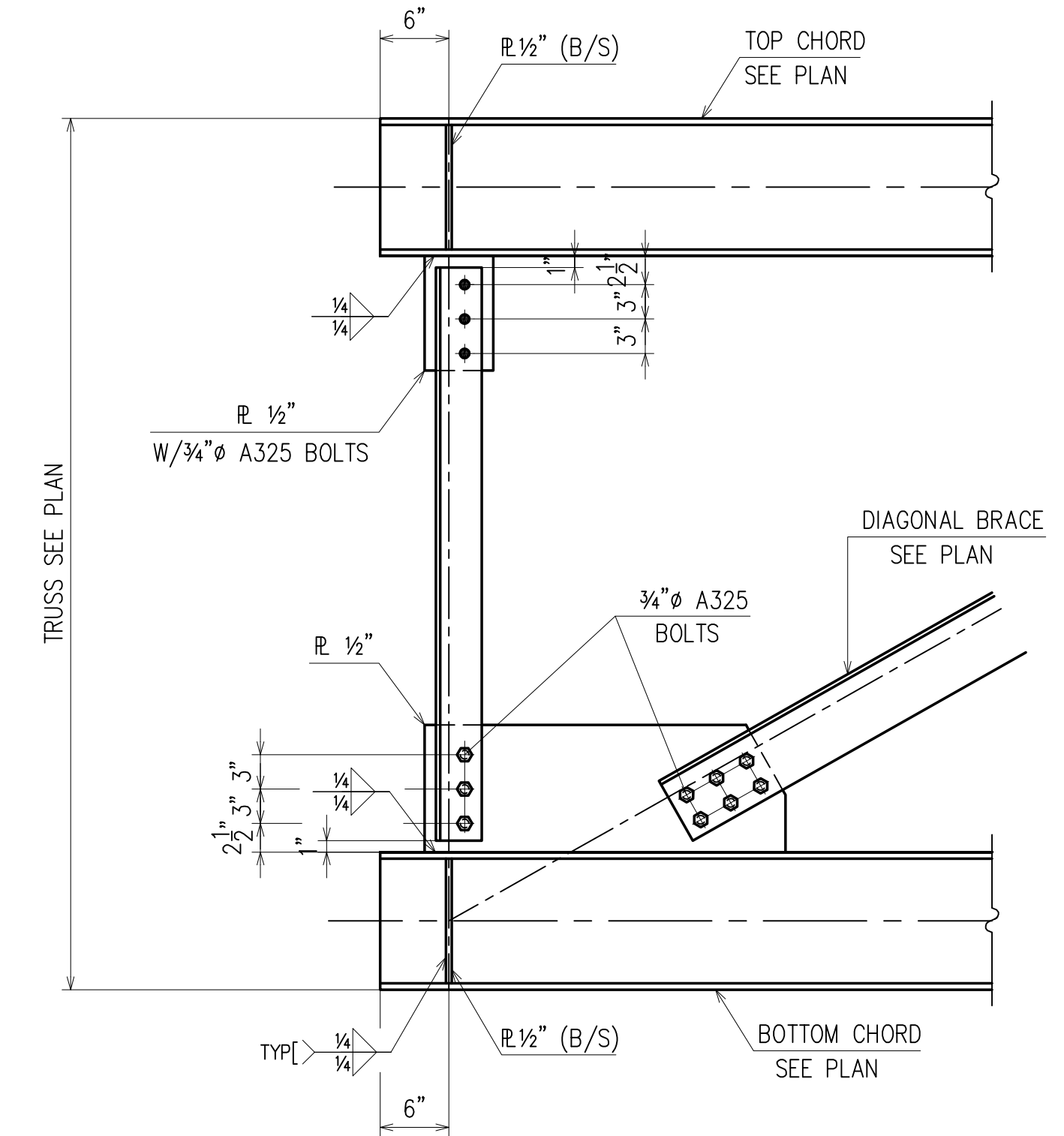
PAINT: ONE SHOP COAT U/NOTED				FOR FIELD	
MATERIAL: A36 U/NOTED				4th APPVL	
HOLES: 13/16 U/NOTED				3rd APPVL	
ELECTRODES: E70XX				2nd APPVL	
TOTAL WEIGHT		NO DATE	DESCRIPTION	NO DATE	DESCRIPTION
		REVISIONS		DATE	ISSUE
CUSTOMER: WEIR WELDING CO. INC.					
316 12th STREET CARLSTADT, NJ 07072					
PHONE: (201) 939-2284 FAX: (201) 939-5525					
DRAFTER SIm	PROJECT: P.S. 253-Q		CONTRACT NO		
DATE 4/09/02	LOCATION: FAR ROCKAWAY, QUEENS, NY		S-642		
CHECKED	DWG TITLE: SECTION & DETAILS		DWG NO		
DATE			E14		



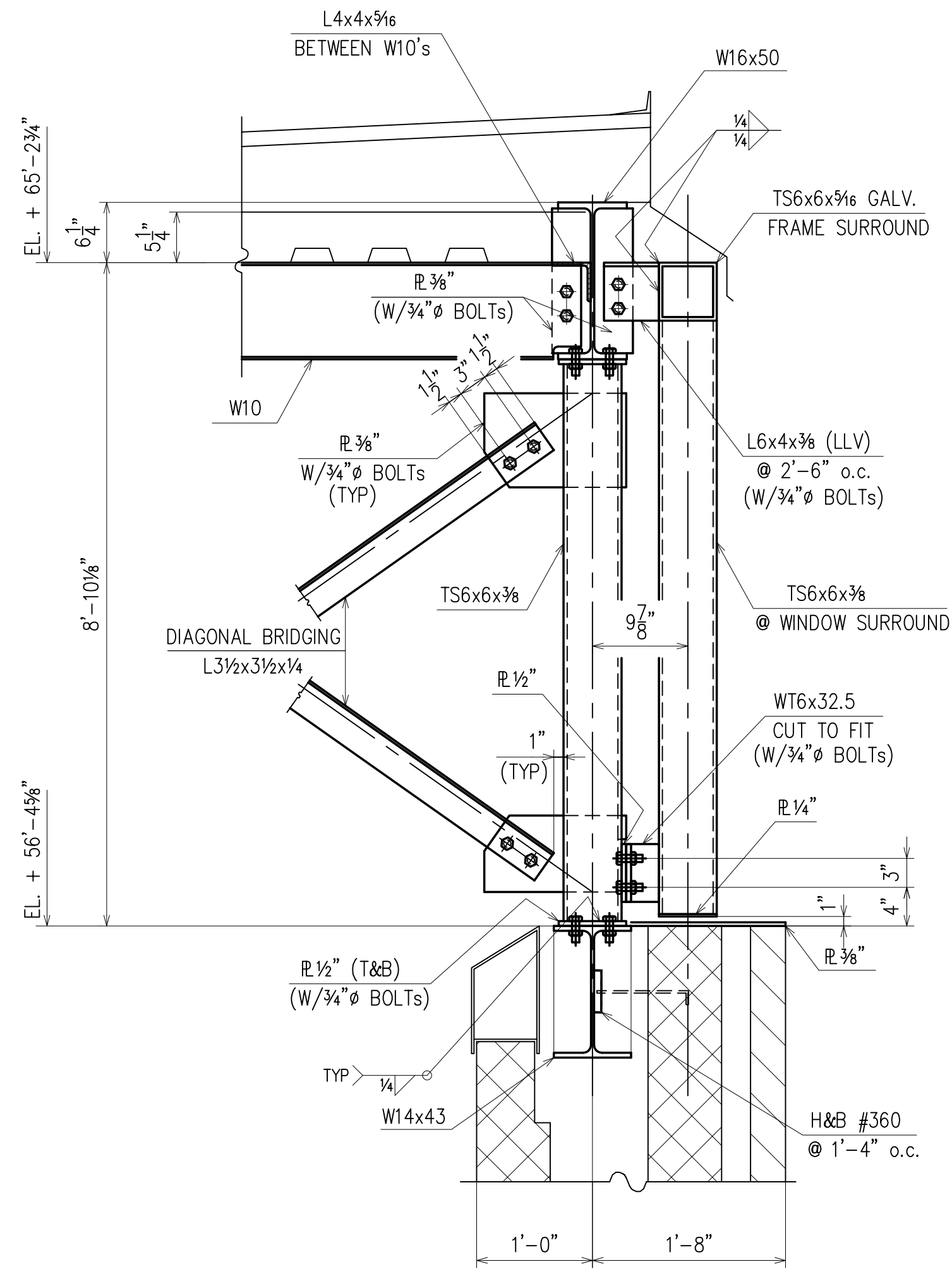
DETAIL G
E15



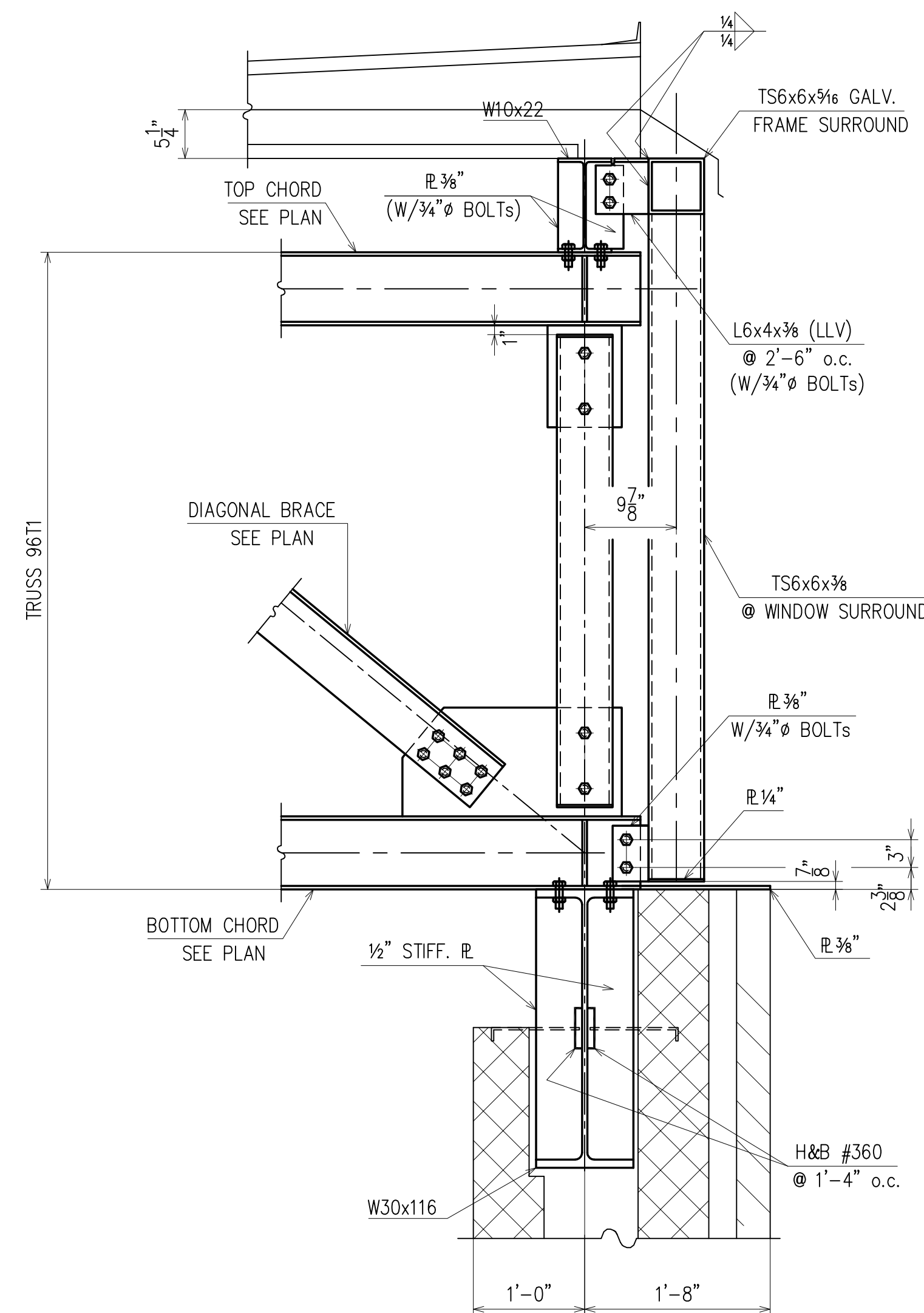
DETAIL H
E15



DETAIL J
E15



SECTION 1
E15

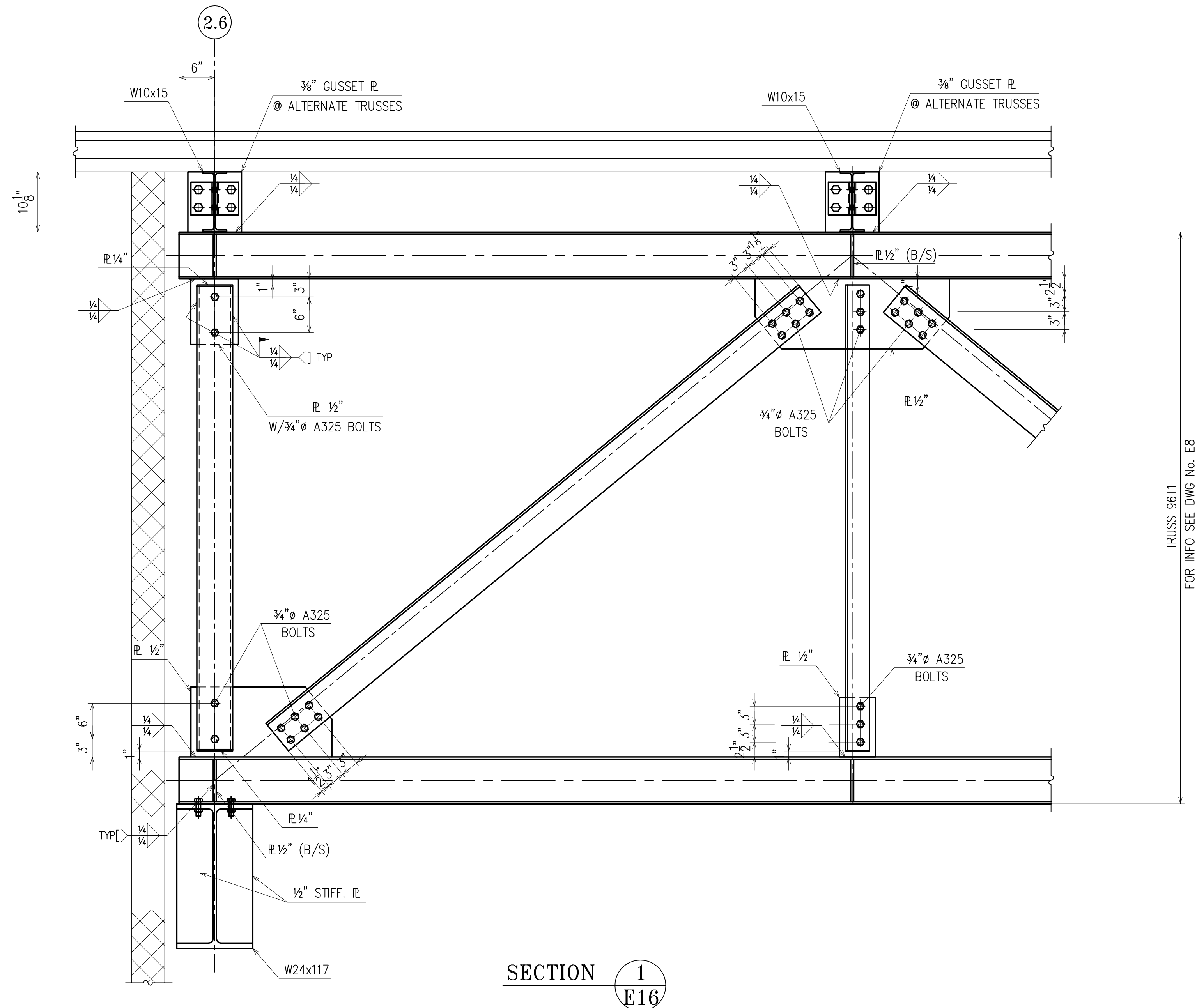


SECTION 2
E15

APPROVAL/REVIEW AUTHORITY:
PLEASE REVIEW THIS DRAWING CAREFULLY.
IT REPRESENTS OUR INTERPRETATION OF THE INTENT OF THE CONTRACT DOCUMENTS. HOWEVER, THE STEEL FABRICATOR AND THE STRUCTURAL STEEL DETAILER ASSUME NO RESPONSIBILITY FOR THE ACCURACY OF THE INFORMATION SHOWN ON THIS DRAWING. THIS IS THE RESPONSIBILITY OF THE BUYER.
IT WILL BE ASSUMED THAT ALL INFORMATION SHOWN HEREIN HAS THE AFFIRMATION OF THE APPROVAL AUTHORITY UNLESS NOTED TO THE CONTRARY ON THIS DRAWING WHEN IT IS RETURNED FROM APPROVAL.
SUBSEQUENT CHANGES TO INFORMATION SHOWN ON THESE DRAWINGS AFTER FIRST SUBMISSION WILL BE CONSIDERED AS CONTRACT CHANGES.
ADOPTED BY THE NATIONAL INSTITUTE OF STEEL DETAILING 1977.

DRAWINGS PREPARED BY:
DIVISION FIVE DETAILING INC.
1770 Gallagher Drive
Vineland, New Jersey 08360
Phone: (856) 794-9474
Fax: (856) 696-2027

PAINT: ONE SHOP COAT U/NOTED				FOR FIELD	
MATERIAL: A36 U/NOTED				4th APPVL	
HOLES: 13/16 U/NOTED				3rd APPVL	
ELECTRODES: E70XX				2nd APPVL	
TOTAL WEIGHT		NO DATE	DESCRIPTION	NO DATE	DESCRIPTION
		REVISIONS		DATE	ISSUE
CUSTOMER: WEIR WELDING CO. INC.					
316 12th STREET CARLSTADT, NJ 07072 PHONE: (201) 939-2284 FAX: (201) 939-5525					
DRAFTER SIm	PROJECT: P.S. 253-Q			CONTRACT NO	
DATE 4/10/02	LOCATION: FAR ROCKAWAY, QUEENS, NY			S-642	
CHECKED	DWG TITLE: SECTION & DETAILS			DWG NO	
DATE				E15	



SECTION 1
E16

APPROVAL/REVIEW AUTHORITY:
PLEASE REVIEW THIS DRAWING CAREFULLY.
IT REPRESENTS OUR INTERPRETATION OF THE INTENT OF
THE CONTRACT DOCUMENTS. HOWEVER, THE STEEL
FABRICATOR AND THE STRUCTURAL STEEL DETAILER
ASSUME NO RESPONSIBILITY FOR THE ACCURACY OF THE
INFORMATION SHOWN ON THIS DRAWING. THIS IS THE
RESPONSIBILITY OF THE BUYER.

IT WILL BE ASSUMED THAT ALL INFORMATION SHOWN
HEREIN HAS THE AFFIRMATION OF THE APPROVAL
AUTHORITY UNLESS NOTED TO THE CONTRARY ON THIS
DRAWING WHEN IT IS RETURNED FROM APPROVAL.

SUBSEQUENT CHANGES TO INFORMATION SHOWN ON
THESE DRAWINGS AFTER FIRST SUBMISSION WILL BE
CONSIDERED AS CONTRACT CHANGES.

ADOPTED BY THE NATIONAL INSTITUTE OF STEEL DETAILING 1977.

PAIN: ONE SHOP COAT U/NOTED										FOR FIELD
MATERIAL: A36 U/NOTED										4th APPVL
HOLES: 13/16 U/NOTED										3rd APPVL
ELECTRODES: E70XX										2nd APPVL
TOTAL WEIGHT	NO DATE	DESCRIPTION	NO DATE	DESCRIPTION						1st APPVL
	REVISIONS								DATE	ISSUE

DRAWINGS PREPARED BY:
DIVISION FIVE DETAILING INC.
1770 Gallagher Drive
Vineland, New Jersey 08360
Phone: (856) 794-9474
Fax: (856) 696-2027

CUSTOMER:
WEIR WELDING CO. INC.
316 12th STREET CARLSTADT, NJ 07072
PHONE: (201) 939-2284 FAX: (201) 939-5525

DRAFTER SIm PROJECT: P.S. 253-Q CONTRACT NO. S-642
DATE 4/10/02 LOCATION: FAR ROCKAWAY, QUEENS, NY DWG NO.
CHECKED DATE DWG TITLE: SECTION & DETAILS E15