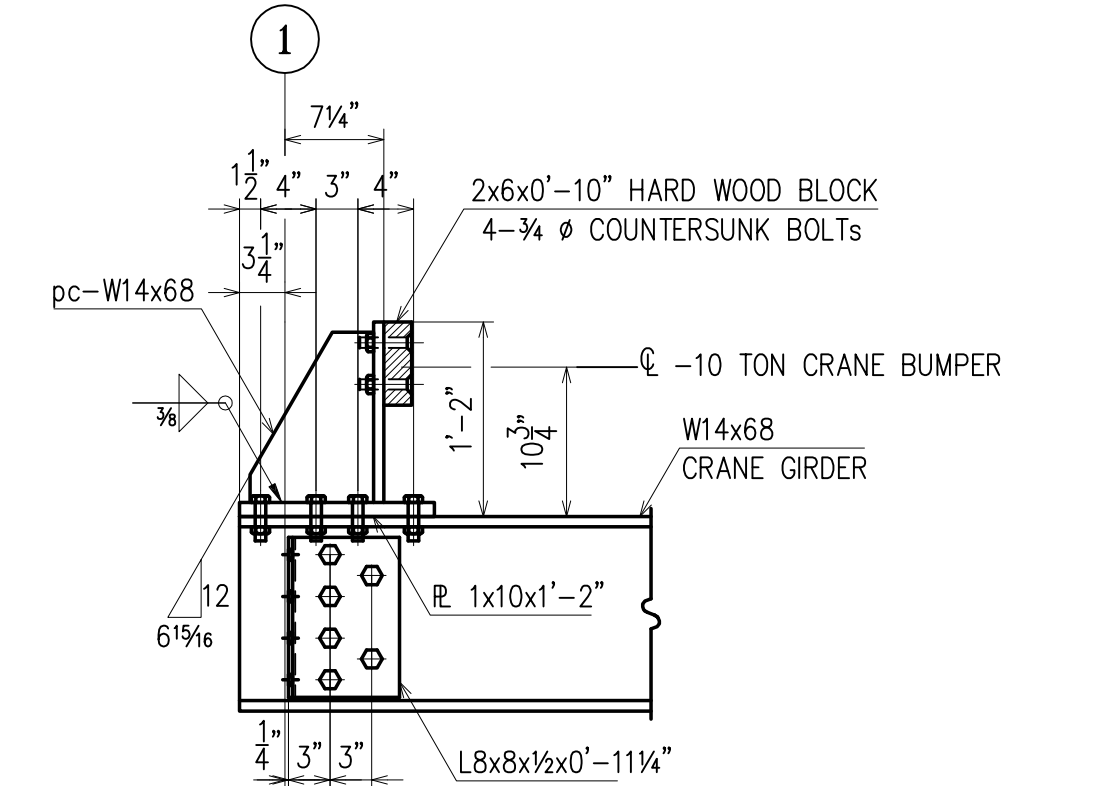
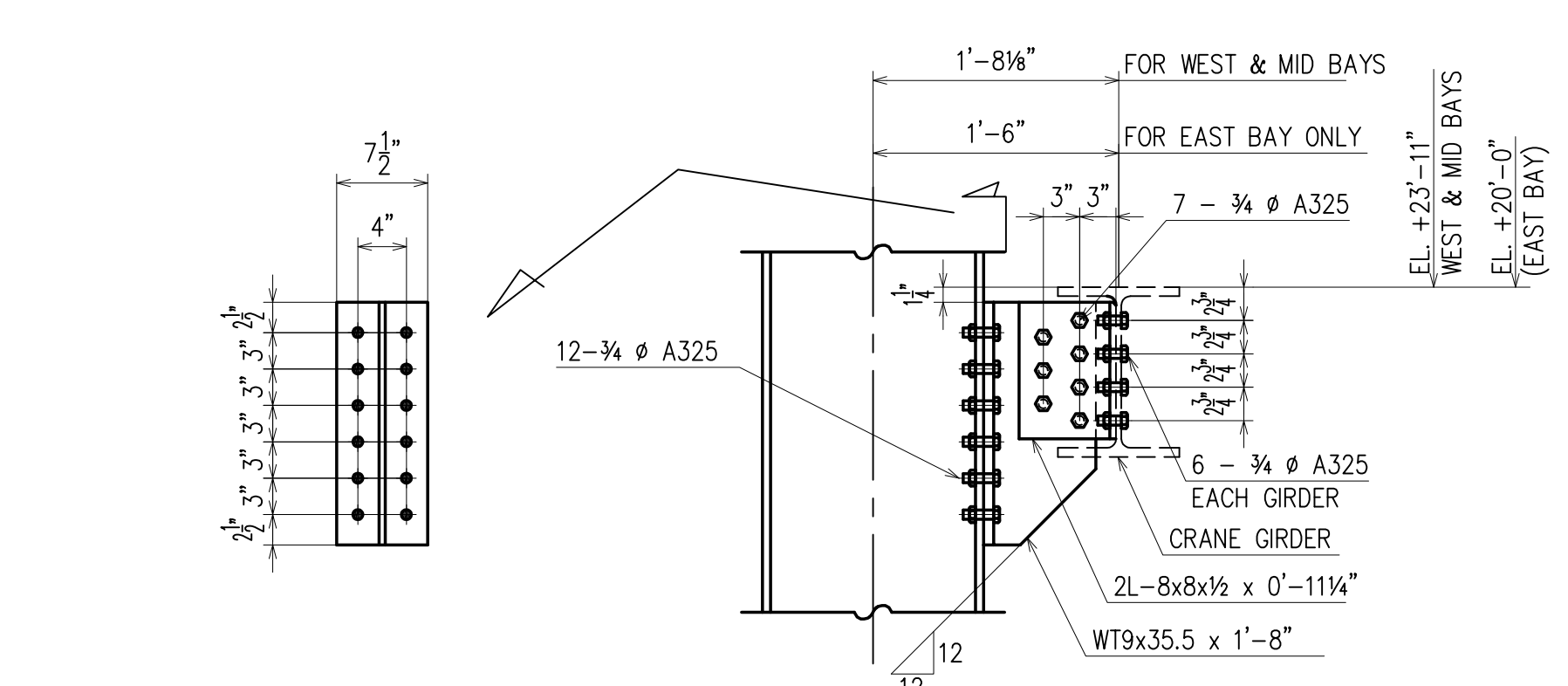
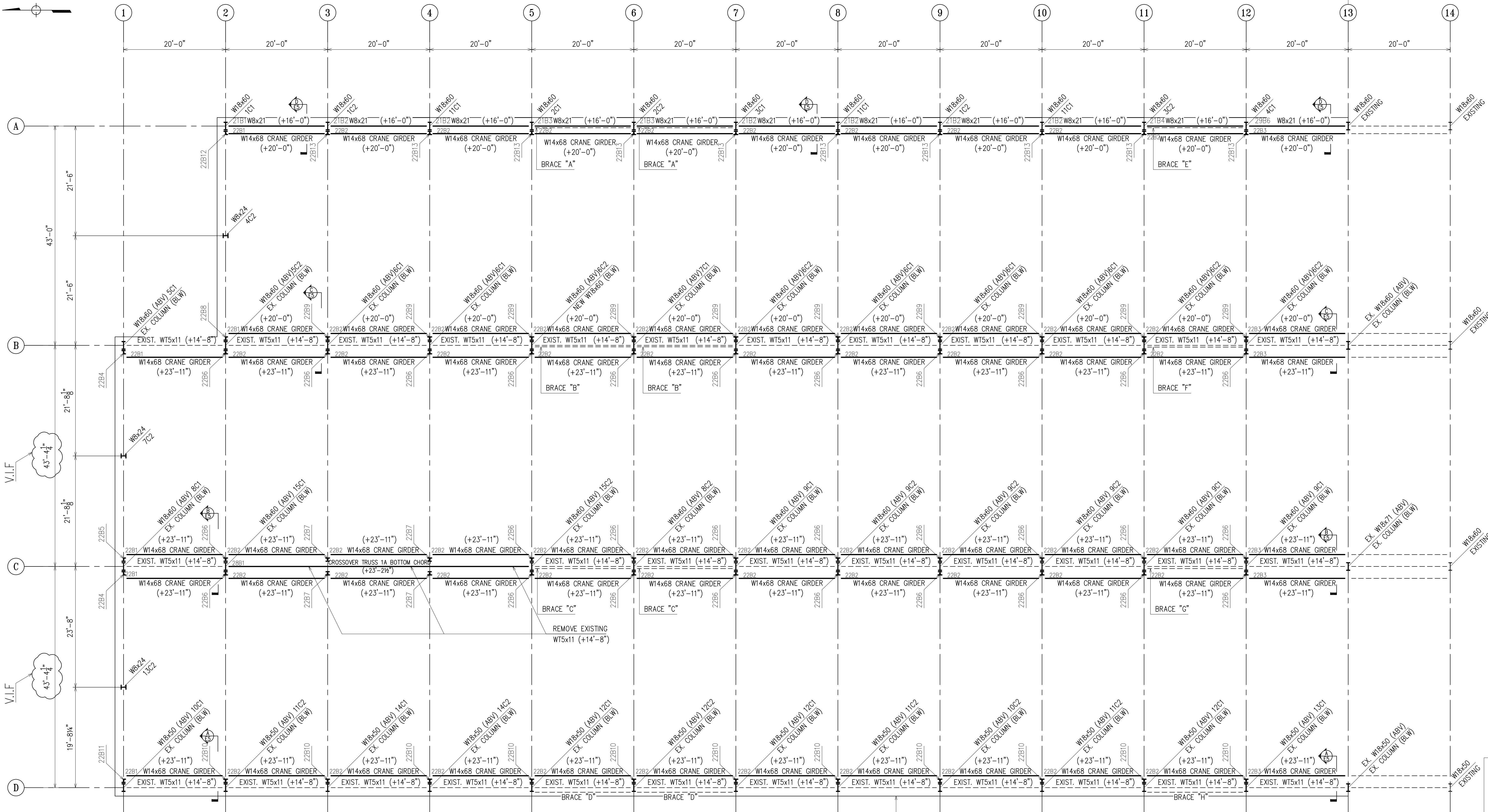


ERECTOR'S NORTH

NEW RENOVATION CONSTRUCTION (PHASE II / ADDITIONAL) | EXISTING SHOP BUILDING (PHASE I)



FRAMING PLAN AT CRANE GIRDER

- NOTES :
- 1) T.O.S. ELEVATIONS NOTED THUS (+X'-X") ON PLAN FROM FIN. FLOOR EL. (0'-0")
 - 2) ALL STEEL SHAPES TO BE ASTM A992 U.N.O. ALL PLATES & BARS TO BE ASTM A572 GR.50
 - 3) ALL BOLTS TO BE A325 U.N.O.

APPROVAL/REVIEW AUTHORITY: PLEASE REVIEW THIS DRAWING CAREFULLY. IT REPRESENTS OUR INTERPRETATION OF THE INTENT OF THE CONTRACT DOCUMENTS. HOWEVER, THE STEEL FABRICATOR AND THE STRUCTURAL STEEL DETAILER ASSUME NO RESPONSIBILITY FOR THE ACCURACY OF THE INFORMATION SHOWN ON THIS DRAWING. THIS IS THE RESPONSIBILITY OF THE BUYER.

IT WILL BE ASSUMED THAT ALL INFORMATION SHOWN HEREIN HAS THE AFFIRMATION OF THE APPROVAL AUTHORITY UNLESS NOTED TO THE CONTRARY ON THIS DRAWING WHEN IT IS RETURNED FROM APPROVAL.

SUBSEQUENT CHANGES TO INFORMATION SHOWN ON THESE DRAWINGS AFTER FIRST SUBMISSION WILL BE CONSIDERED AS CONTRACT CHANGES.

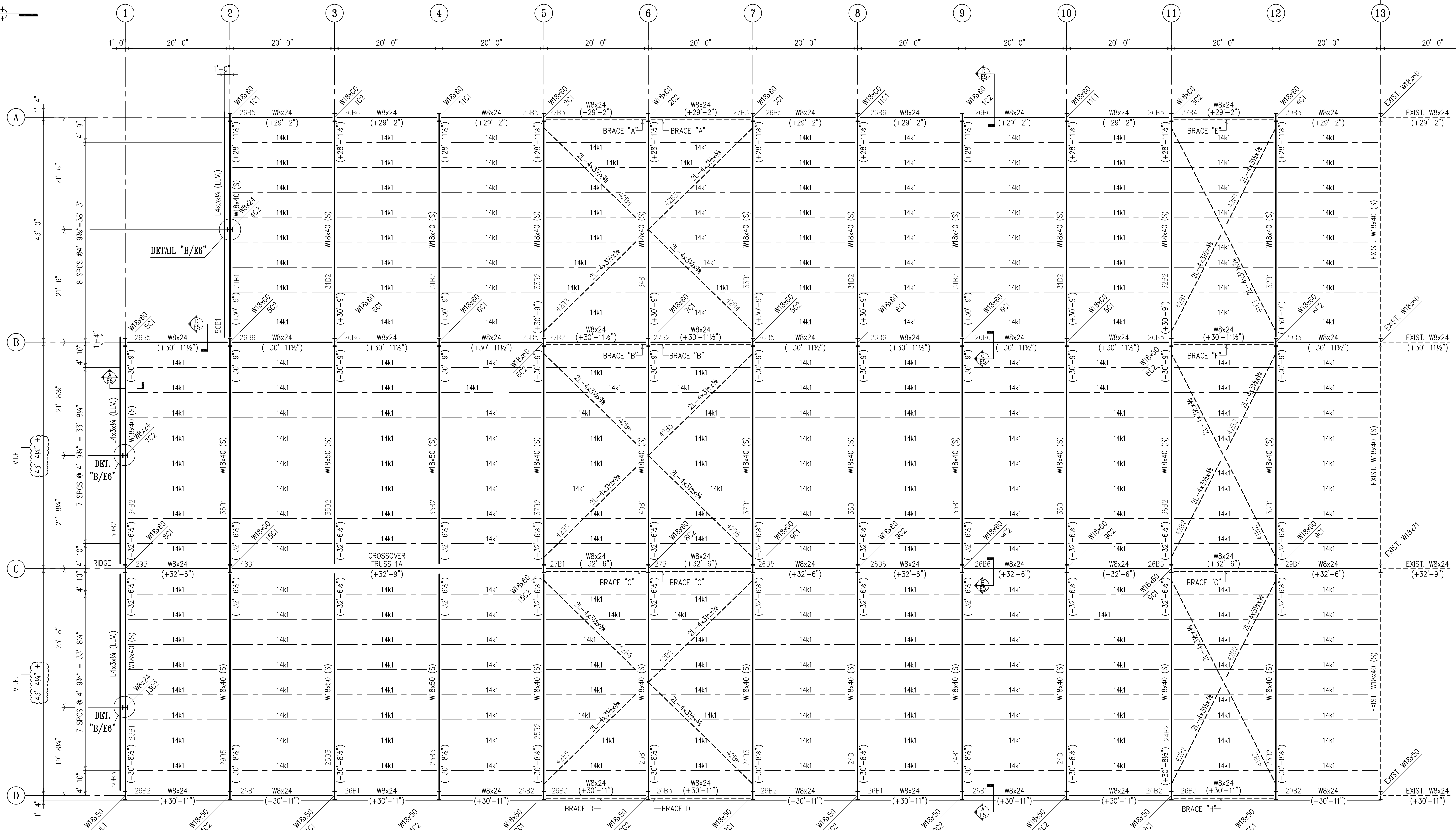
ADOPTED BY THE NATIONAL INSTITUTE OF STEEL DETAILING 1977.

DRAWINGS PREPARED BY: DIVISION FIVE DETAILING INC.
1770 Gallagher Drive
Vineland, New Jersey 08360
Phone: (856) 794-9474
Fax: (856) 696-2027

PAIN: ONE SHOP COAT U/NOTED	FOR FIELD				
MATERIAL: GR. 50 U/NOTED	4th APPVL				
HOLES: 13/16" U/NOTED	3rd APPVL				
ELECTRODES: E70XX	2nd APPVL				
TOTAL WEIGHT	1st APPVL				
NO DATE	DESCRIPTION	NO DATE	DESCRIPTION	DATE	ISSUE
REVISIONS					
CUSTOMER: WEIR WELDING CO. INC.					
316 12th STREET CARLSTADT, NJ 07072 PHONE: (201) 939-2284 FAX: (201) 939-5525					
DRAFTER: AF	PROJECT: WEIR WELDING PLANT ADDITION (PHASE II)	CONTRACT NO: M-536-A			
DATE: 5/30/02	LOCATION: CARLSTADT, NJ	DWG NO			
CHECKED:	DWG TITLE: FRAMING PLAN AT CRANE GIRDER	E1			
DATE:					

ERECTOR'S NORTH

NEW RENOVATION CONSTRUCTION
(PHASE II / ADDITION)
EXISTING SHOP BUILDING
(PHASE I / 1999)



ROOF FRAMING PLAN

- NOTES :
- 1) T.O.S. ELEVATIONS NOTED THUS (+X'-X") U.N.O. ON PLAN FROM FIN. FLOOR EL. (0'-0")
 - 2) ALL STEEL SHAPES TO BE ASTM A992 U.N.O. ALL PLATE & BARS TO BE ASTM A572 GR.50
 - 3) ALL BOLTS TO BE A325 U.N.O.
 - 4) (S) DENOTES SLOPING MEMBER

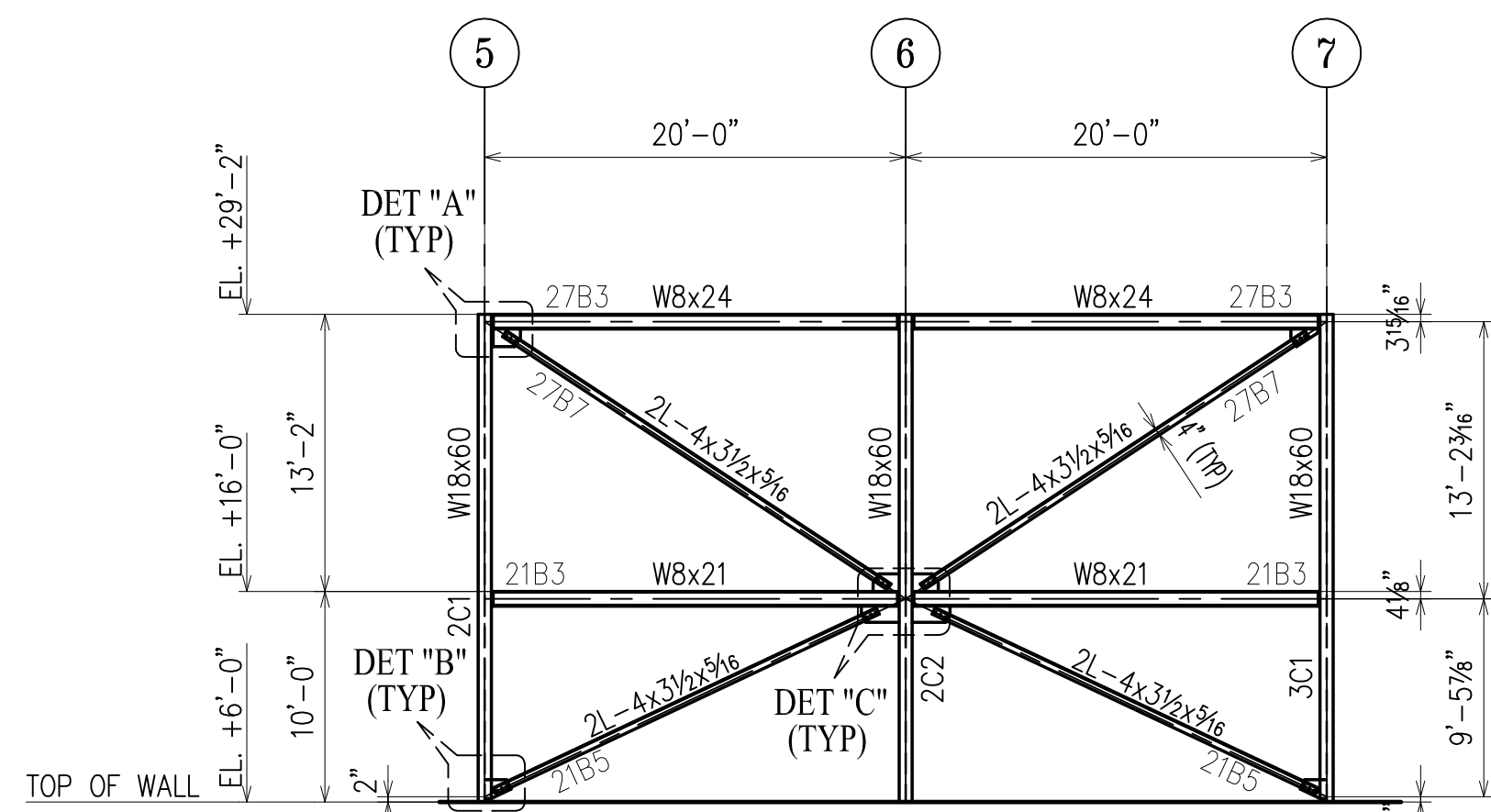
APPROVAL/REVIEW AUTHORITY:
PLEASE REVIEW THIS DRAWING CAREFULLY.
IT REPRESENTS OUR INTERPRETATION OF THE INTENT OF THE CONTRACT DOCUMENTS. HOWEVER, THE STEEL FABRICATOR AND THE STRUCTURAL STEEL DETAILER ASSUME NO RESPONSIBILITY FOR THE ACCURACY OF THE INFORMATION SHOWN ON THIS DRAWING. THIS IS THE RESPONSIBILITY OF THE BUYER.
IT WILL BE ASSUMED THAT ALL INFORMATION SHOWN HEREIN HAS THE AFFIRMATION OF THE APPROVAL AUTHORITY UNLESS NOTED TO THE CONTRARY ON THIS DRAWING WHEN IT IS RETURNED FOR APPROVAL.
SUBSEQUENT CHANGES TO INFORMATION SHOWN ON THESE DRAWINGS AFTER FIRST SUBMISSION WILL BE CONSIDERED AS CONTRACT CHANGES.
ADOPTED BY THE NATIONAL INSTITUTE OF STEEL DETAILING 1977.

DRAWINGS PREPARED BY:
DIVISION FIVE DETAILING INC.
1770 Gallagher Drive
Vineland, New Jersey 08360
Phone: (856) 794-9474
Fax: (856) 696-2027

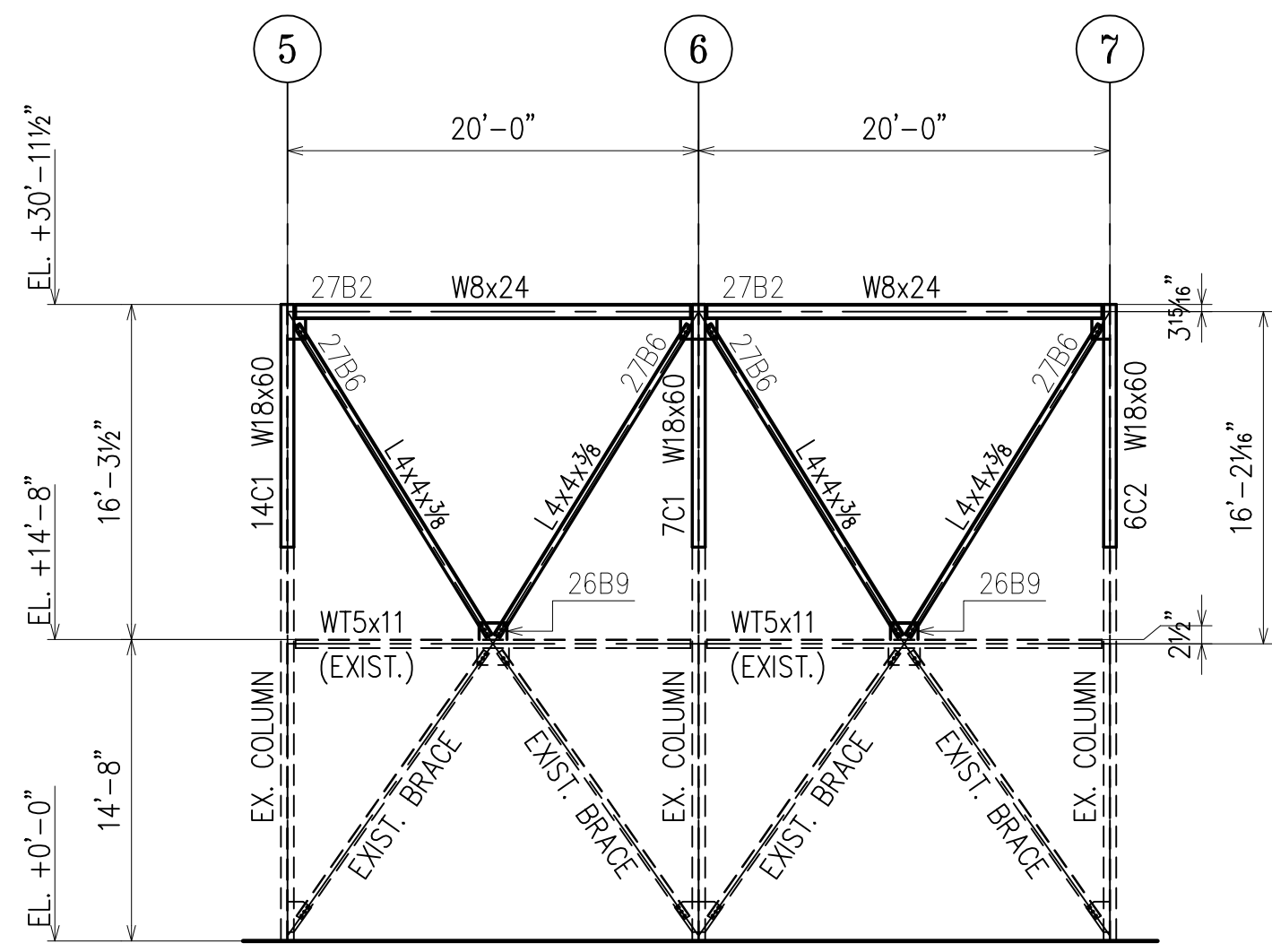
PAINT: ONE SHOP COAT U/NOTED					FOR FIELD
MATERIAL: GR. 50 U/NOTED					4th APPVL
HOLES: 13/16" U/NOTED					3rd APPVL
ELECTRODES: E70XX					2nd APPVL
TOTAL WEIGHT	NO DATE	DESCRIPTION	NO DATE	DESCRIPTION	1st APPVL
	REVISIONS				DATE
					ISSUE

CUSTOMER: **WEIR WELDING CO. INC.**
316 12th STREET CARLSTADT, NJ 07072
PHONE: (201) 939-2284 FAX: (201) 939-5525

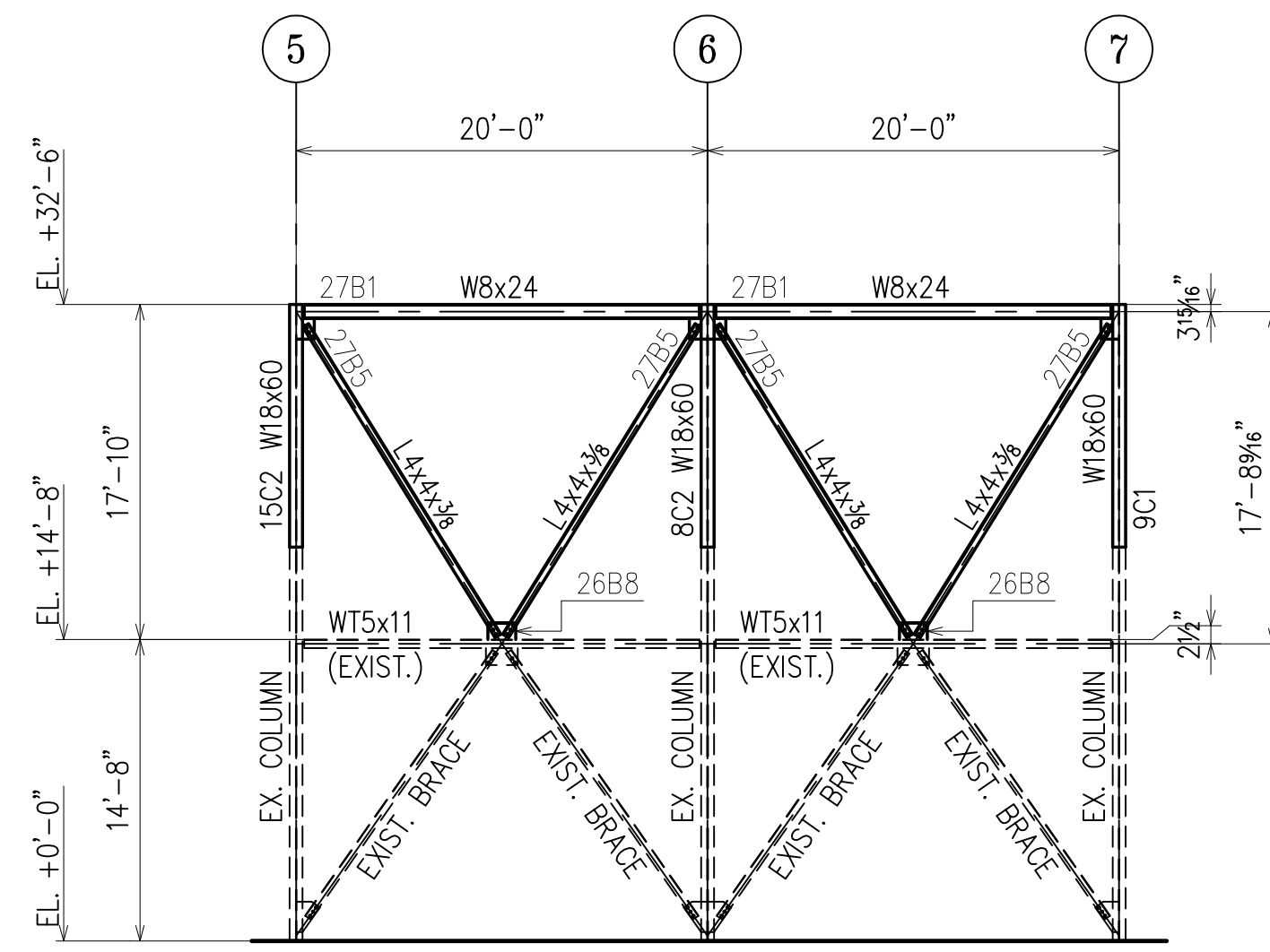
DRAFTER YG PROJECT: WEIR WELDING PLANT ADDITION (PHASE II)
DATE 5/30/02 LOCATION: CARLSTADT, NJ CONTRACT NO. M-536-A
CHECKED DATE DWG TITLE: ROOF FRAMING PLAN DWG NO. E2



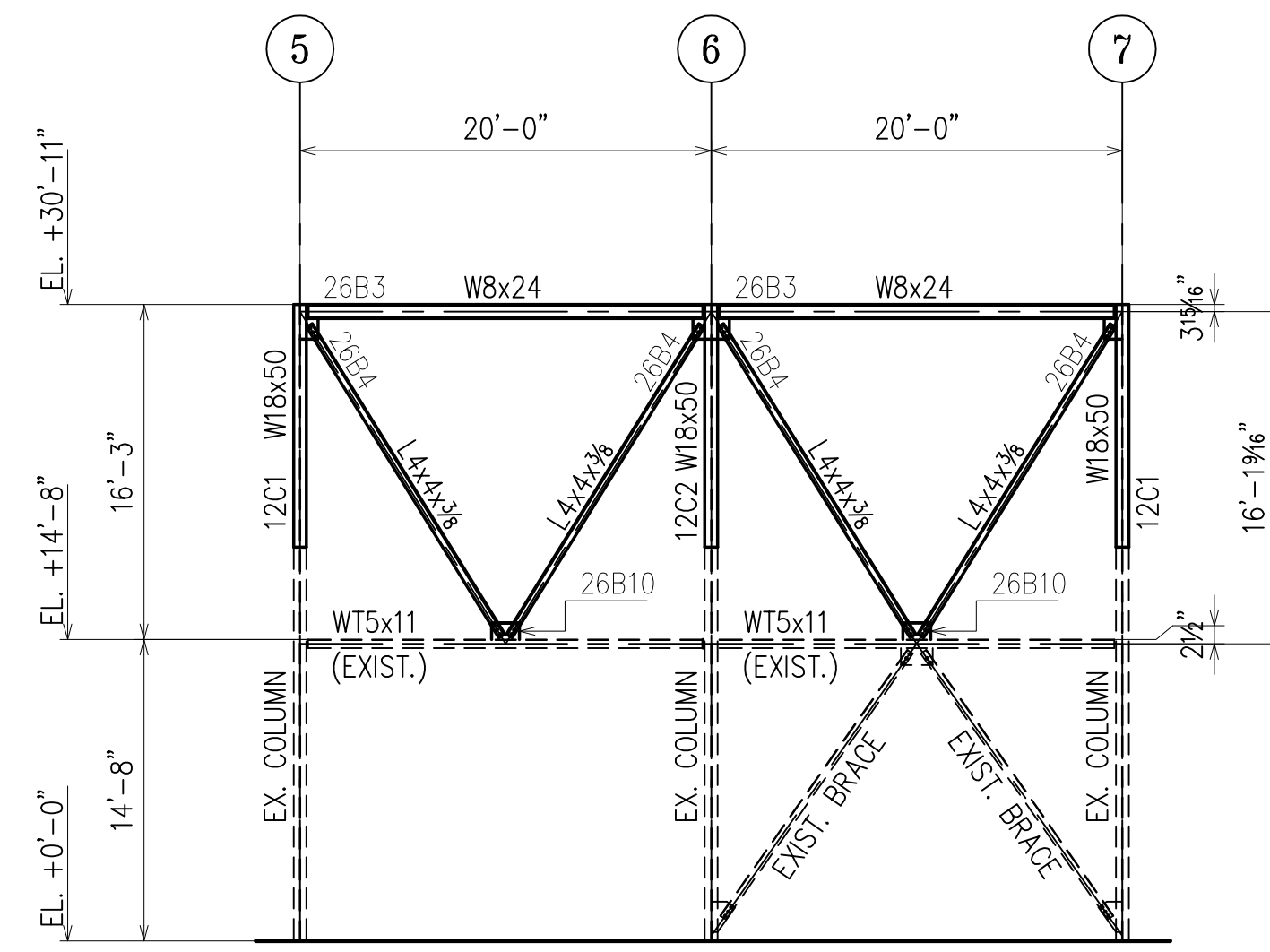
BRACE "A" (LINE A)



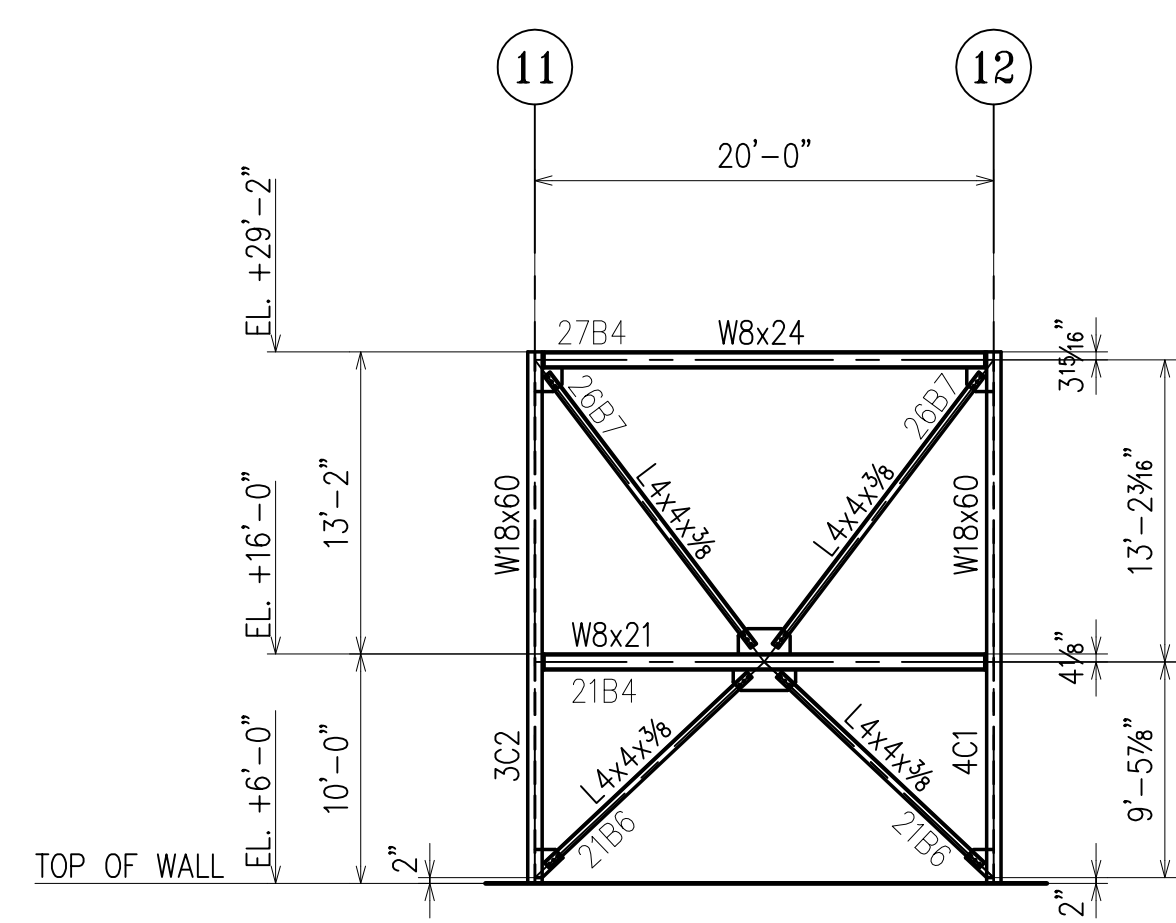
BRACE "B" (LINE B)



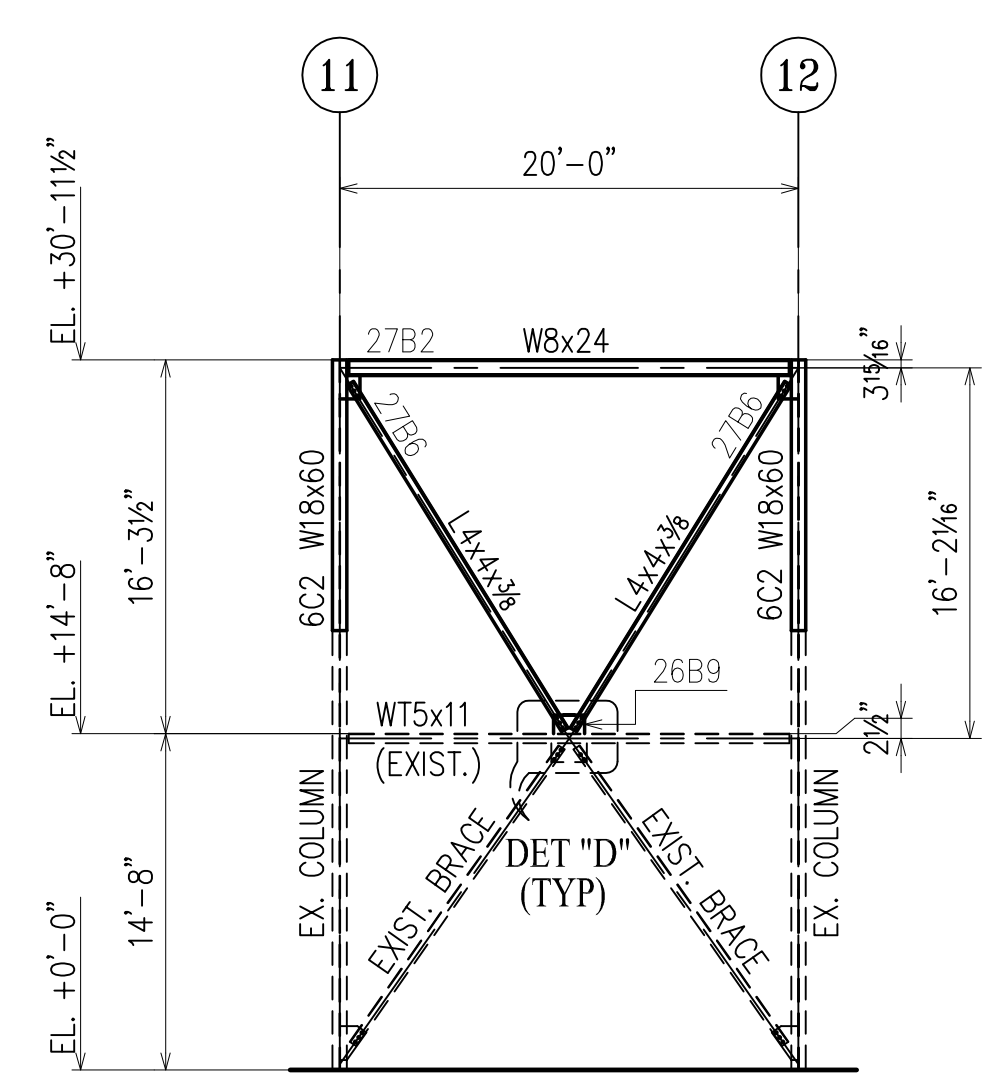
BRACE "C" (LINE C)



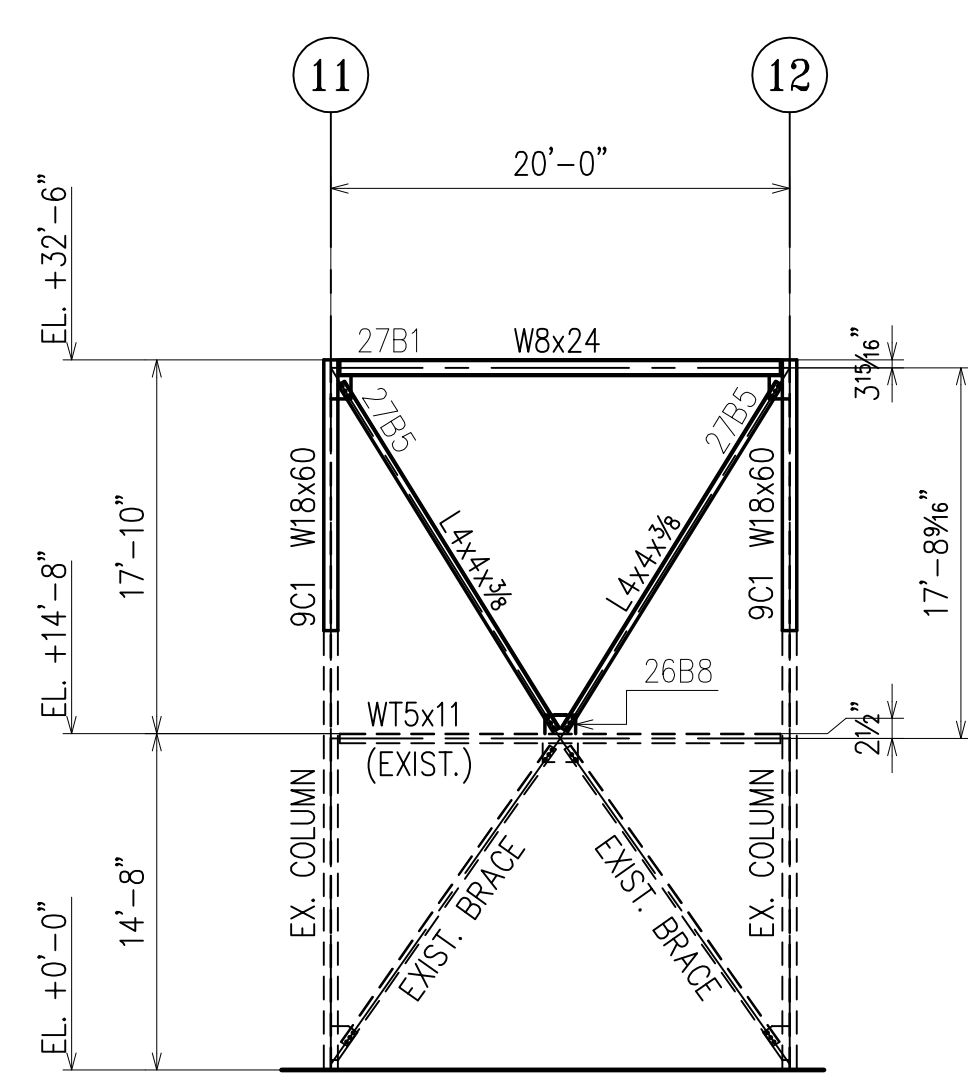
BRACE "D" (LINE D)



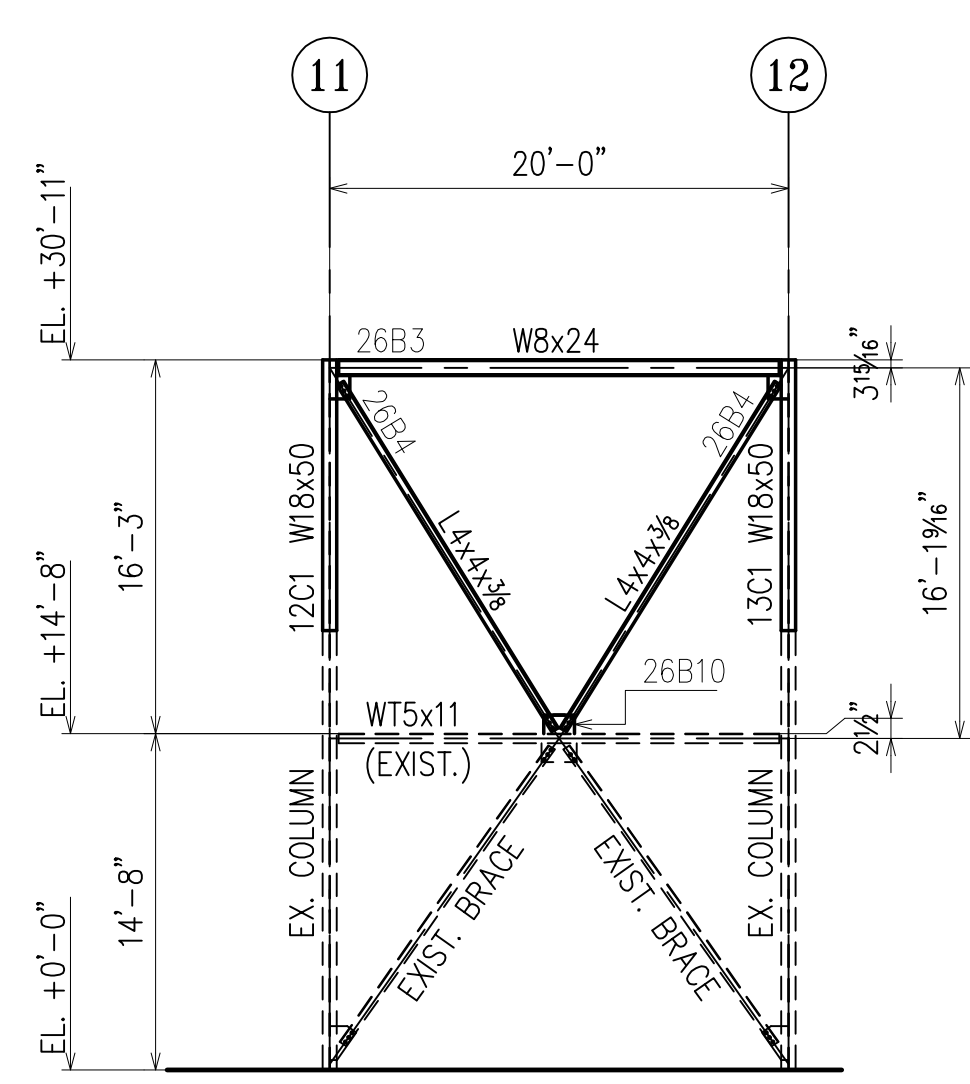
BRACE "E" (LINE A)



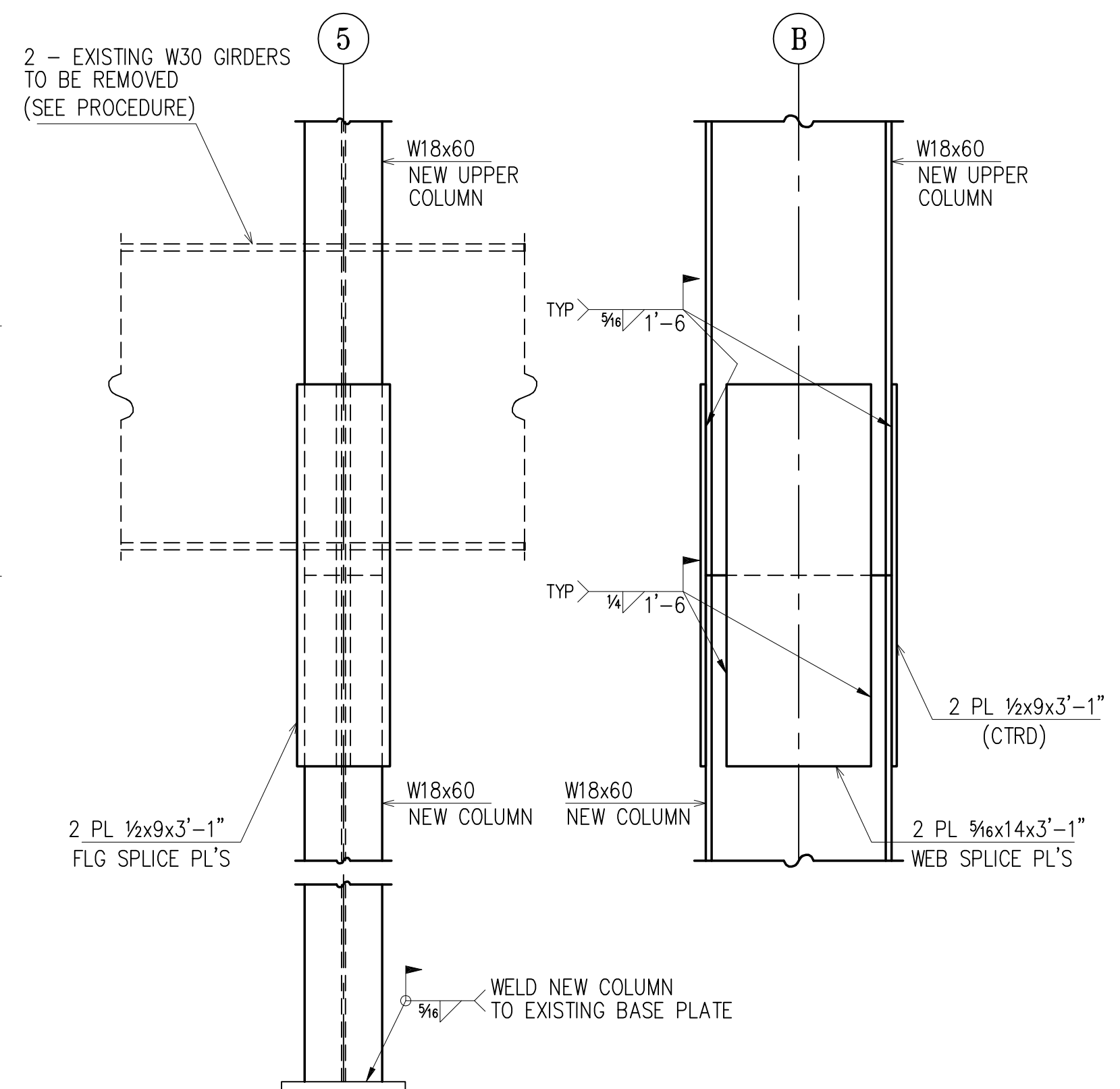
BRACE "F" (LINE B)



BRACE "G" (LINE C)



BRACE "H" (LINE D)

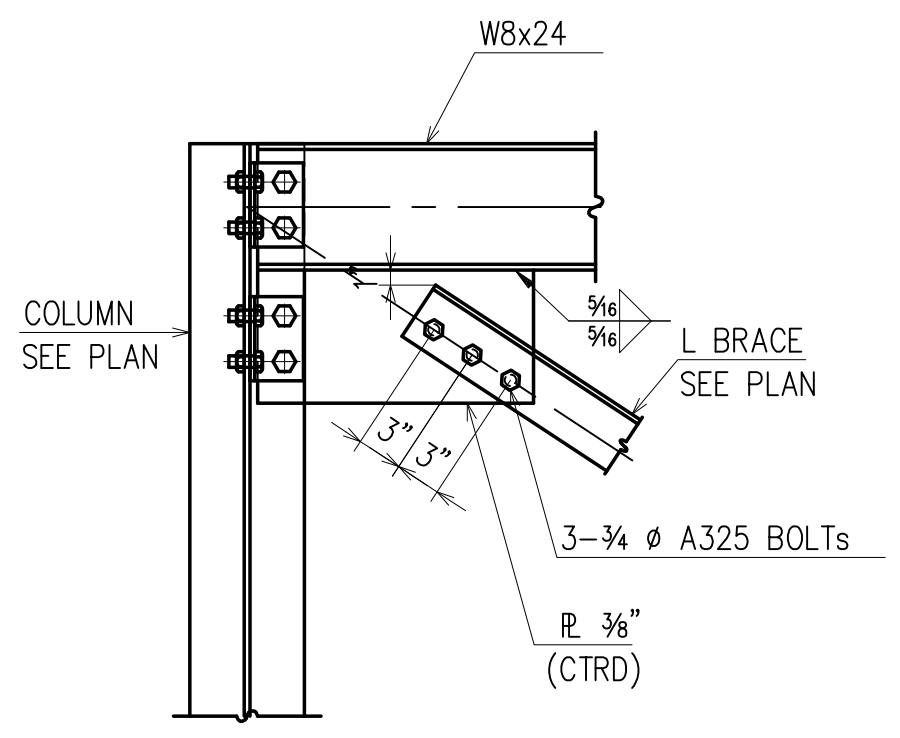


SPECIAL COLUMN SPLICE FOR REPLACING COLUMN B5

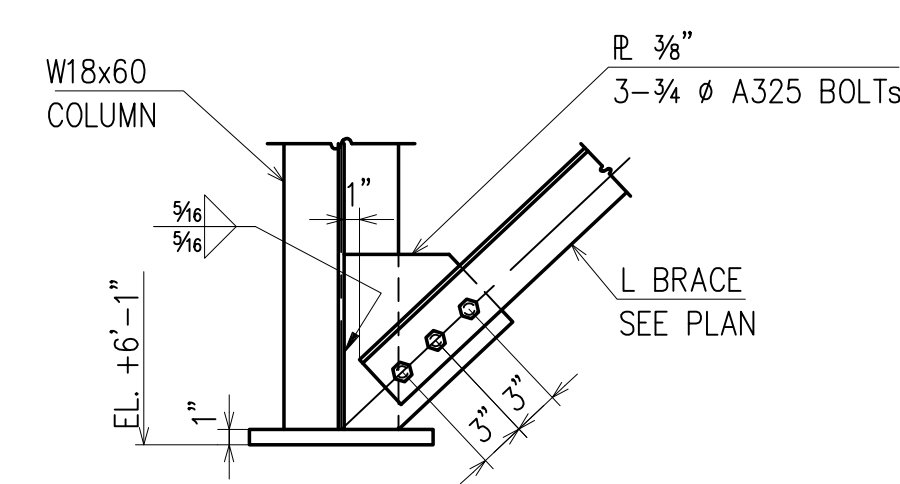
SEQUENCE PROCEDURE FOR INSTALLATION :

1. NEW W18x60 COLUMN SECTION ALIGNED IN PLACE AND WELDED TO EXISTING COLUMN STUB.
 2. INSTALL AND WELD IN PLACE TWO (2) NEW WEB SPLICE PLATES.
 3. REMOVE ONE (1) OF THE EXISTING W30 EXISTING SUPPORT GIRDER.
 4. INSTALL WELD ONE (1) FLANGE SPLICE PLATE.
 5. REMOVE OTHER W30 EXISTING SUPPORT GIRDER.
 6. INSTALL AND WELD OTHER FLANGE SPLICE PLATE.
- NOTE: NO CRANES ON THESE SPANS DURING THIS PROCEDURE. INSTALL BOLTS IN ALL REMAINING OPEN HOLES.

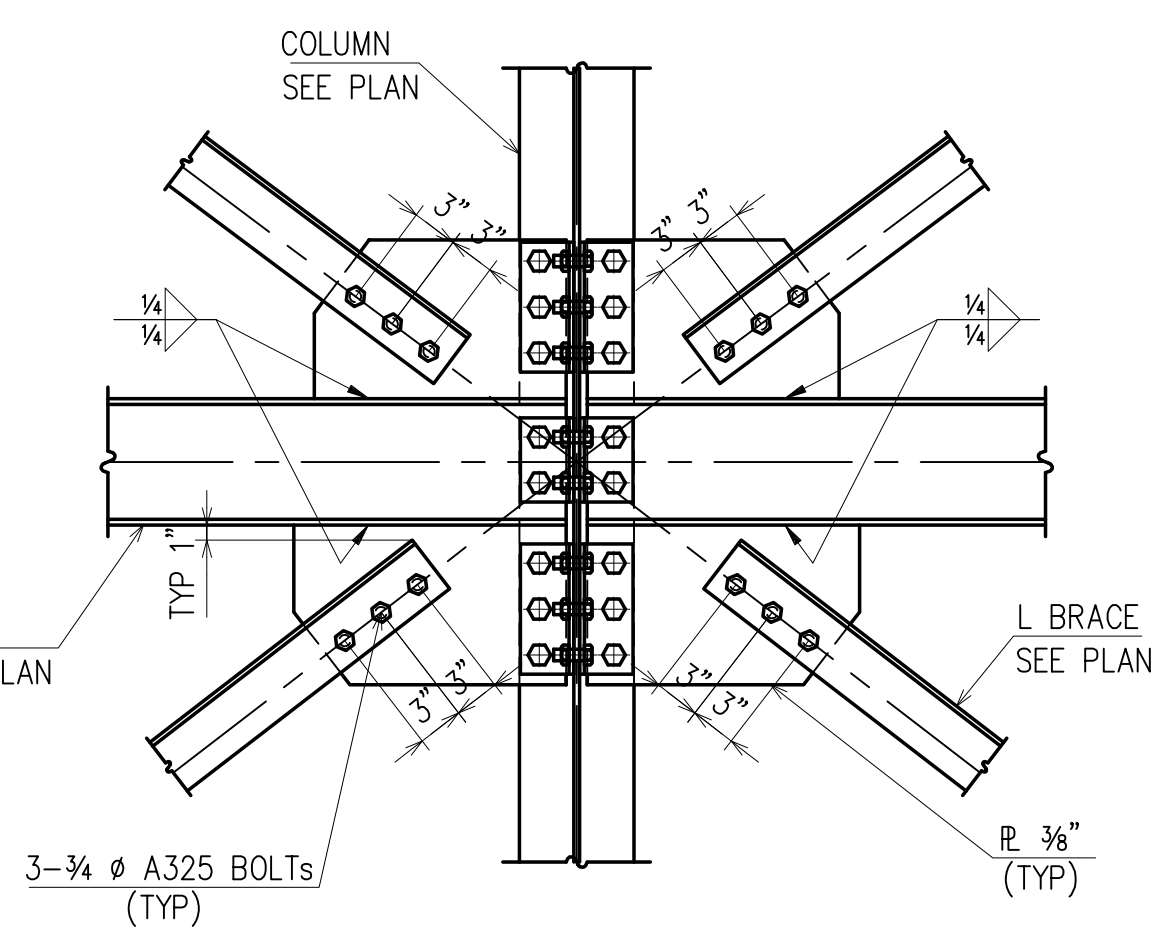
APPROVAL/REVIEW AUTHORITY:
PLEASE REVIEW THIS DRAWING CAREFULLY. IT REPRESENTS OUR INTERPRETATION OF THE INTENT OF THE CONTRACT DOCUMENTS. HOWEVER, THE STEEL FABRICATOR AND THE STRUCTURAL STEEL DETAILER ASSUME NO RESPONSIBILITY FOR THE ACCURACY OF THE INFORMATION SHOWN ON THIS DRAWING. THIS IS THE RESPONSIBILITY OF THE BUYER.
IT WILL BE ASSUMED THAT ALL INFORMATION SHOWN HEREIN HAS THE AFFIRMATION OF THE APPROVAL AUTHORITY UNLESS NOTED TO THE CONTRARY ON THIS DRAWING WHEN IT IS RETURNED FROM APPROVAL.
SUBSEQUENT CHANGES TO INFORMATION SHOWN ON THESE DRAWINGS AFTER FIRST SUBMISSION WILL BE CONSIDERED AS CONTRACT CHANGES.
ADOPTED BY THE NATIONAL INSTITUTE OF STEEL DETAILING 1977.



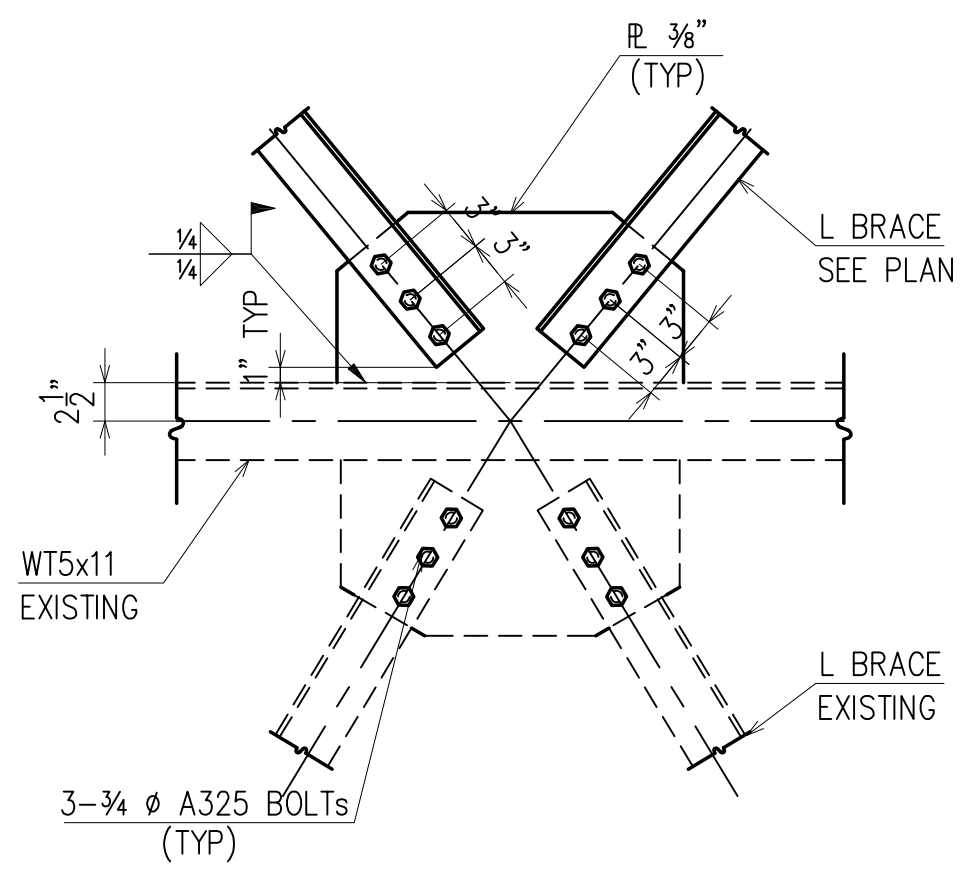
DETAIL A E4



DETAIL B E4



DETAIL C E4

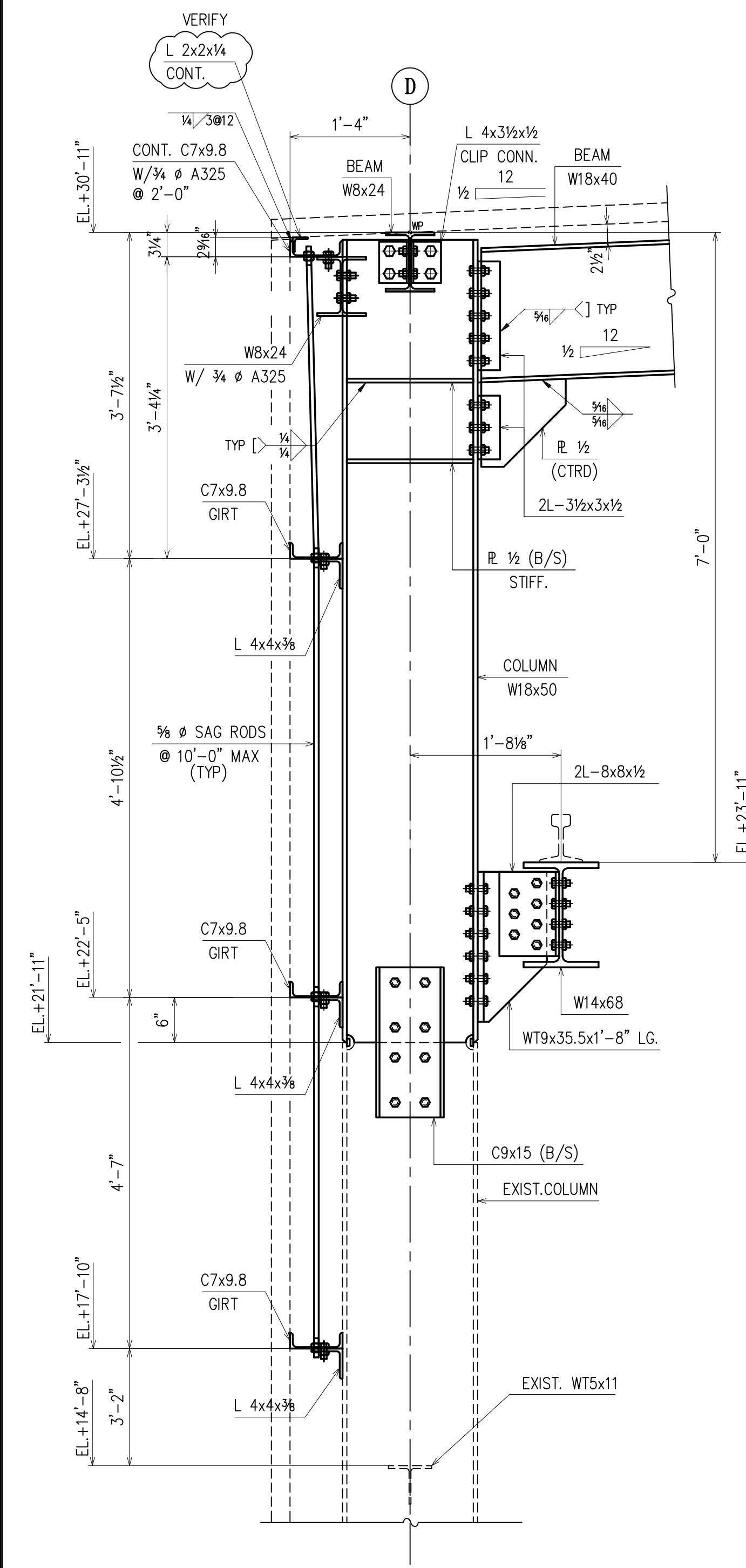


DETAIL D E4

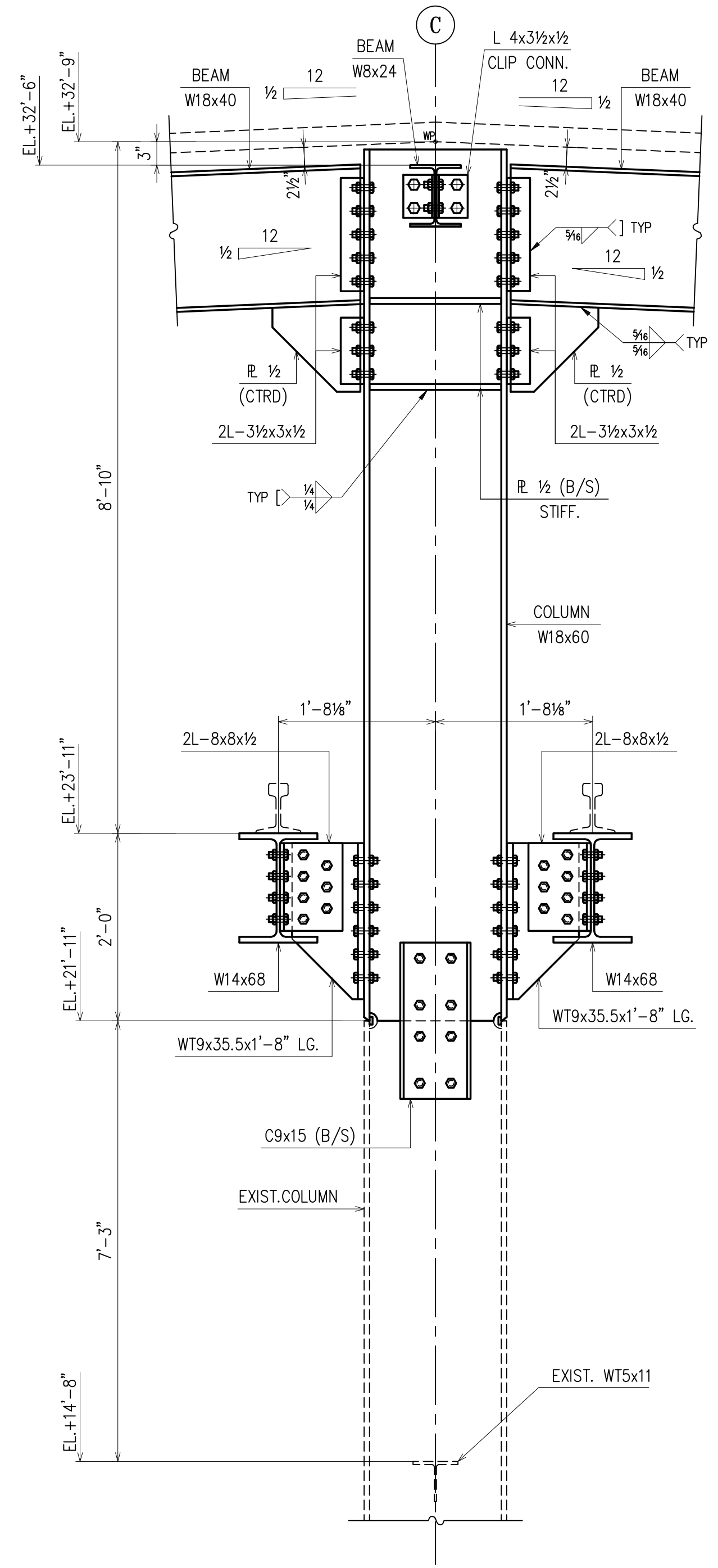
DRAWINGS PREPARED BY:
DIVISION FIVE DETAILING INC.
1770 Gallagher Drive
Vineland, New Jersey 08360
Phone: (856) 794-9474
Fax: (856) 696-2027

PAIN: ONE SHOP COAT U/NOTED					FOR FIELD
MATERIAL: GR. 50 U/NOTED					4th APPVL
HOLES: 13/16" U/NOTED					3rd APPVL
ELECTRODES: E70XX					2nd APPVL
TOTAL WEIGHT	NO DATE	DESCRIPTION	NO DATE	DESCRIPTION	1st APPVL
	REVISIONS				DATE
					ISSUE

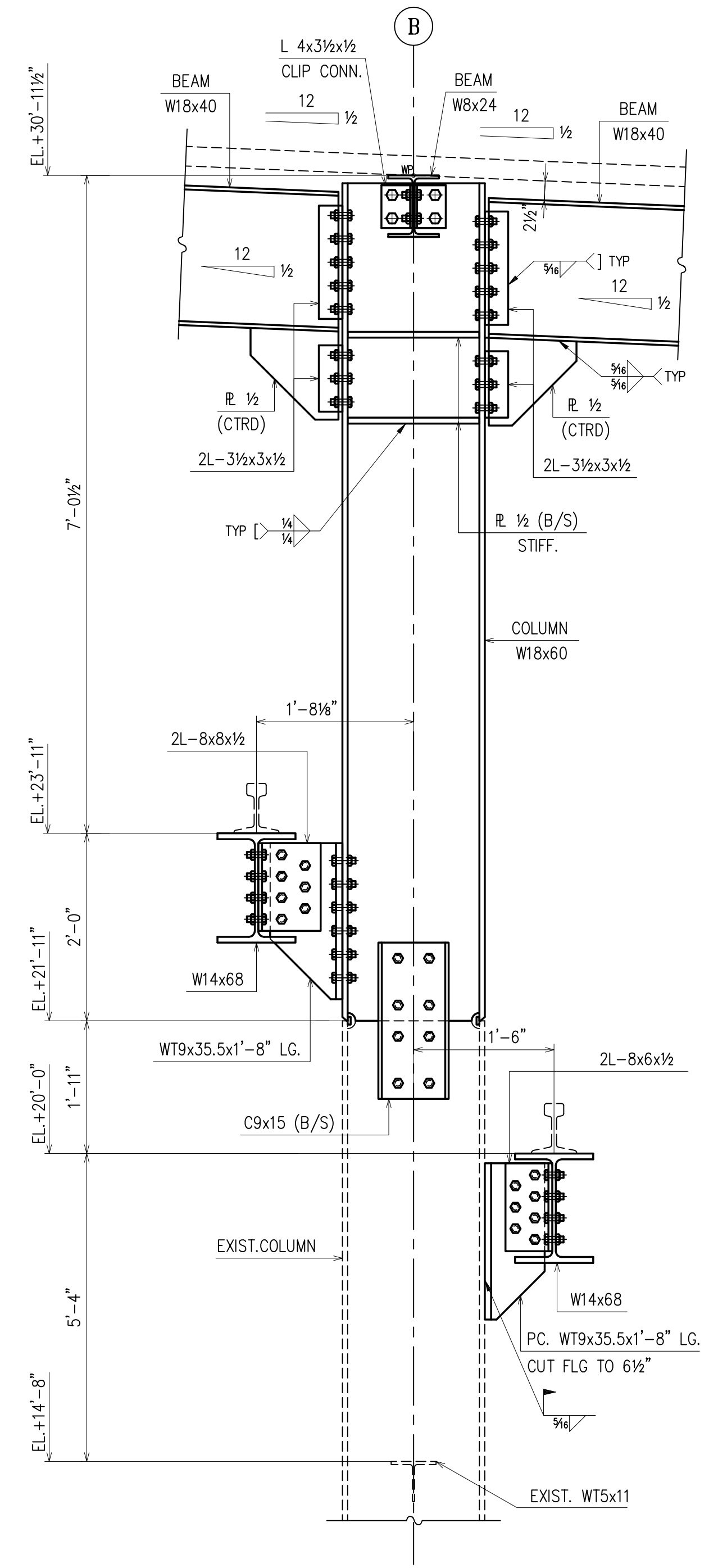
CUSTOMER: WEIR WELDING CO. INC.					
316 12th STREET CARLSTADT, NJ 07072					
PHONE: (201) 939-2284 FAX: (201) 939-5525					
DRAFTER AF	PROJECT: WEIR WELDING PLANT ADDITION (PHASE II)	CONTRACT NO	M-536-A		
DATE 5/30/02	LOCATION: CARLSTADT, NJ	DWG NO	E4		
CHECKED	DWG TITLE: BRACING ELEVATIONS				
DATE					



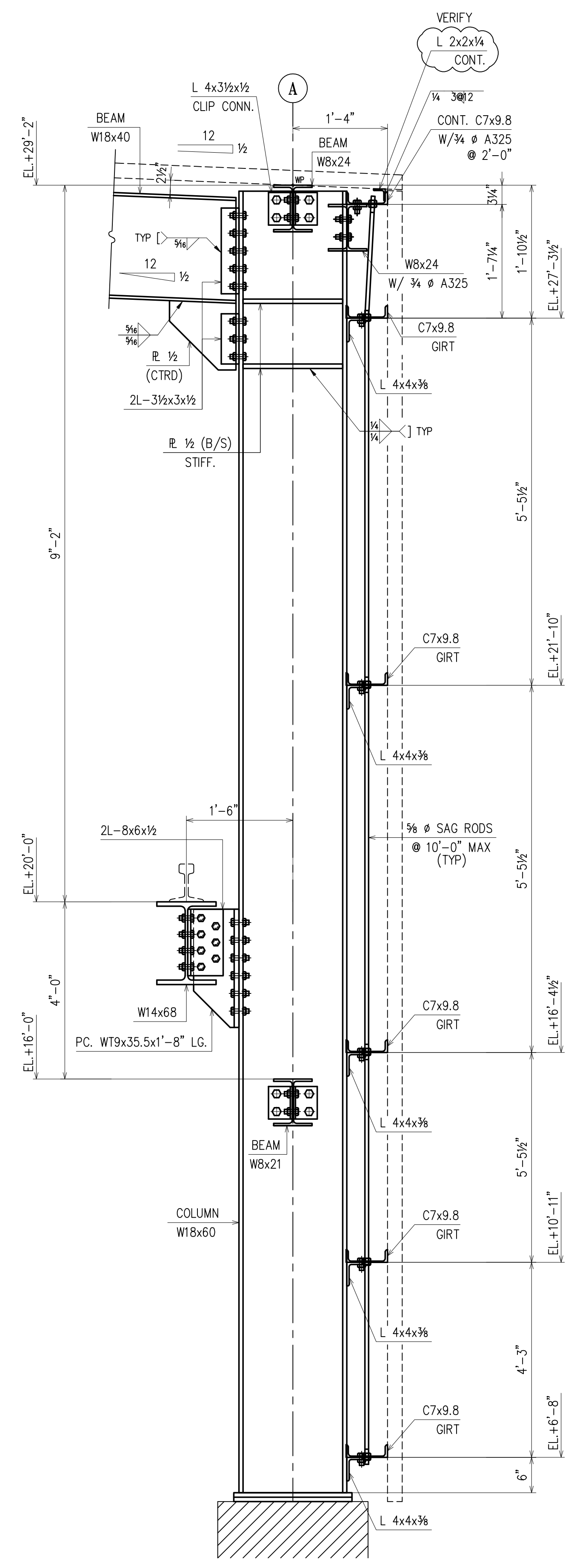
SECTION A
E5



SECTION B
E5



SECTION C
E5



SECTION D
E5

APPROVAL/REVIEW AUTHORITY:
PLEASE REVIEW THIS DRAWING CAREFULLY.
IT REPRESENTS OUR INTERPRETATION OF THE INTENT OF THE CONTRACT DOCUMENTS. HOWEVER, THE STEEL FABRICATOR AND THE STRUCTURAL STEEL DETAILER ASSUME NO RESPONSIBILITY FOR THE ACCURACY OF THE INFORMATION SHOWN ON THIS DRAWING. THIS IS THE RESPONSIBILITY OF THE BUYER.

IT WILL BE ASSUMED THAT ALL INFORMATION SHOWN HEREIN HAS THE AFFIRMATION OF THE APPROVAL AUTHORITY UNLESS NOTED TO THE CONTRARY ON THIS DRAWING WHEN IT IS RETURNED FROM APPROVAL.

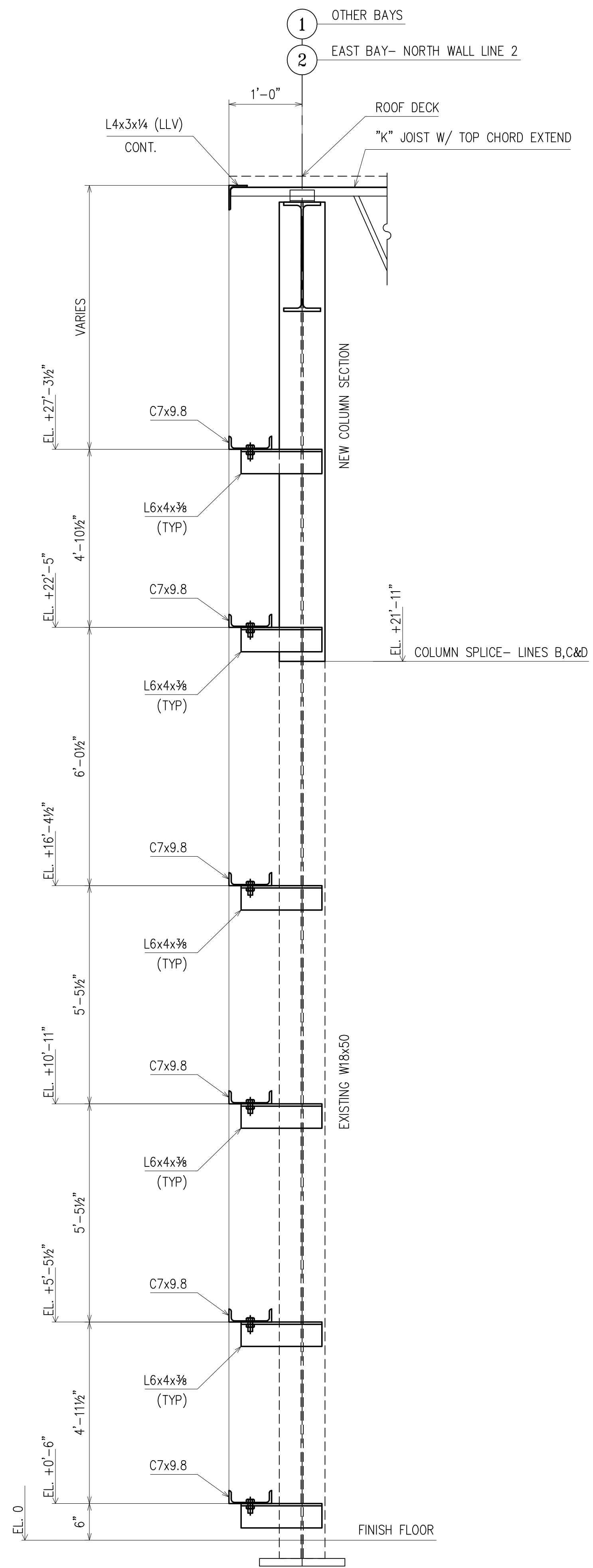
SUBSEQUENT CHANGES TO INFORMATION SHOWN ON THESE DRAWINGS AFTER FIRST SUBMISSION WILL BE CONSIDERED AS CONTRACT CHANGES.

ADOPTED BY THE NATIONAL INSTITUTE OF STEEL DETAILING 1977.

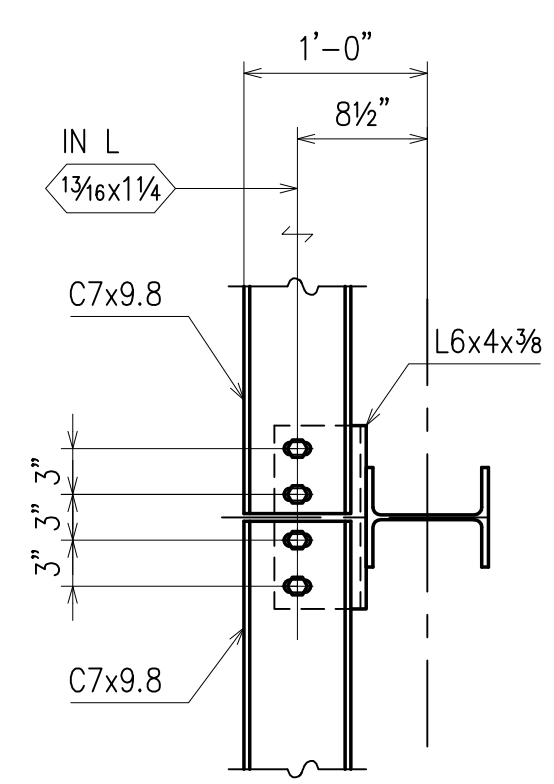
DRAWINGS PREPARED BY:

DIVISION FIVE DETAILING INC.	
1770 Gallagher Drive	
Vineland, New Jersey	08360
Phone: (856) 794-9474	
Fax: (856) 696-2027	

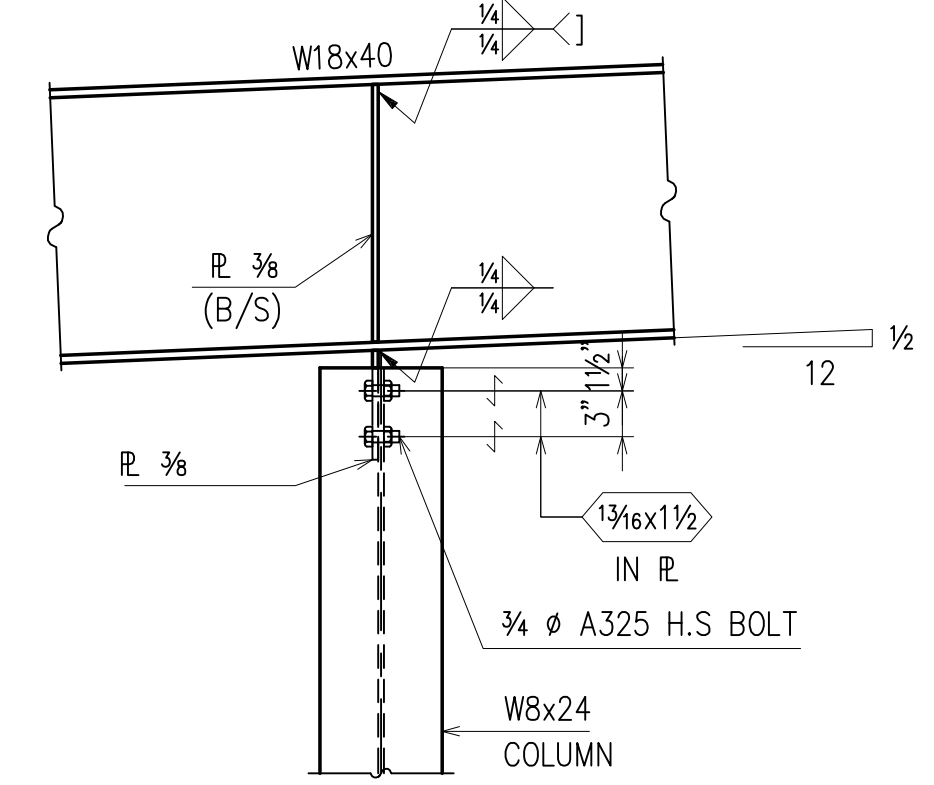
PAINT: ONE SHOP COAT U/NOTED				FOR FIELD	
MATERIAL: GR. 50 U/NOTED				4th APPVL	
HOLES: 13/16" U/NOTED				3rd APPVL	
ELECTRODES: E70XX				2nd APPVL	
TOTAL WEIGHT		NO	DATE	DESCRIPTION	1st APPVL
REVISIONS					
CUSTOMER: WEIR WELDING CO. INC.					
316 12th STREET CARLSTADT, NJ 07072 PHONE: (201) 939-2284 FAX: (201) 939-5525					
DRAFTER	YG	PROJECT:	WEIR WELDING PLANT ADDITION (PHASE II)		CONTRACT NO
DATE	5/30/02	LOCATION:	CARLSTADT, NJ		M-536-A
CHECKED		DWG TITLE:	SECTION		DWG NO
DATE					E5



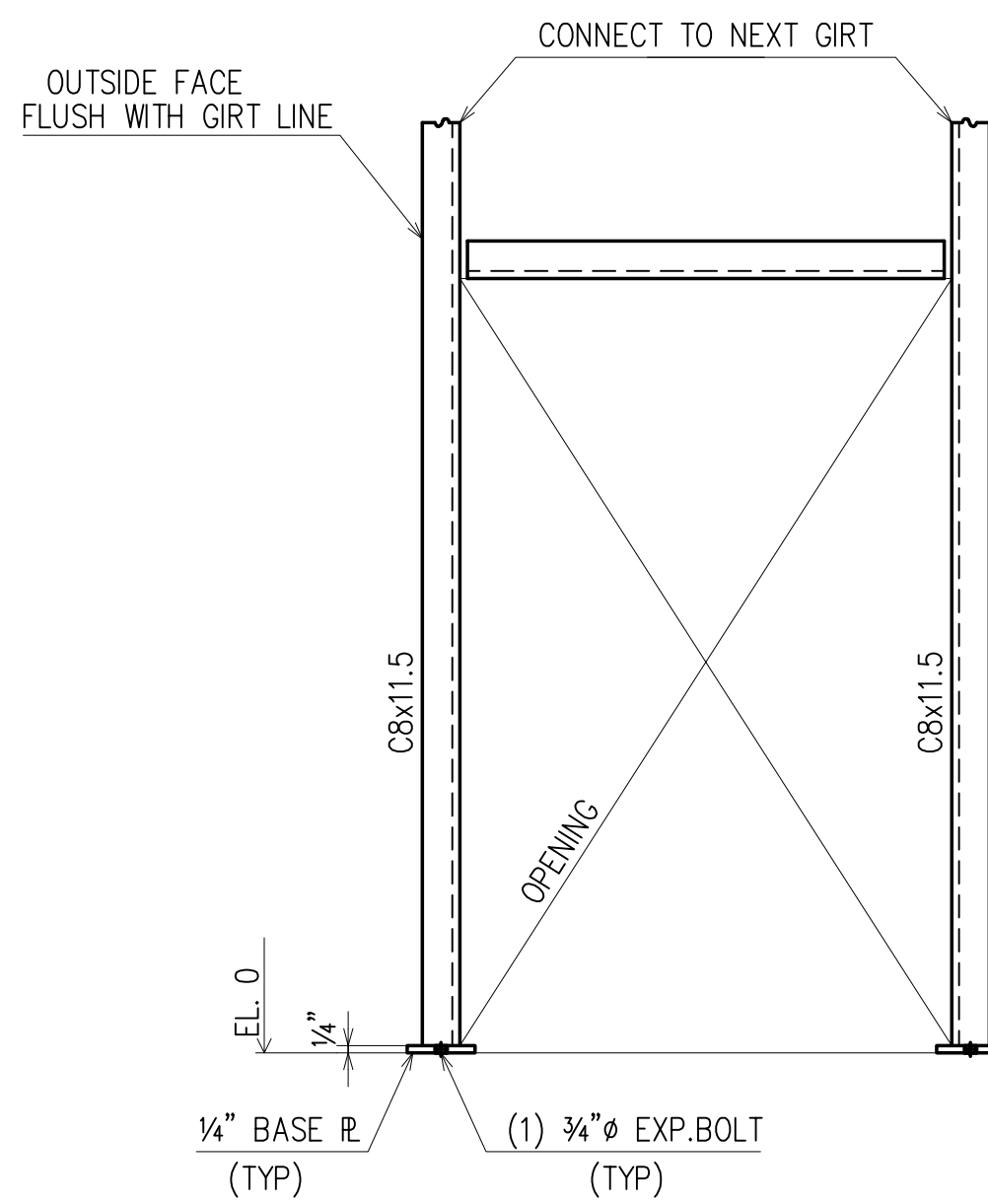
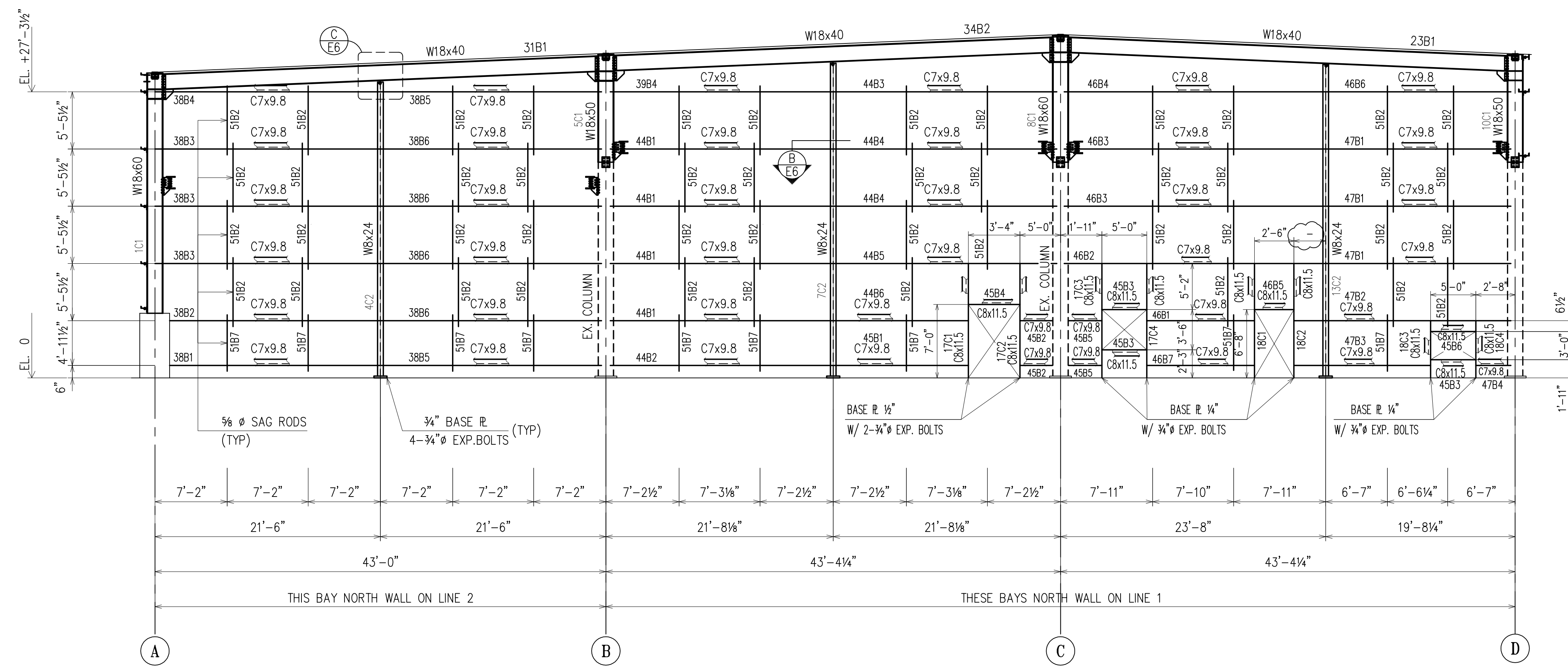
SECTION A E6



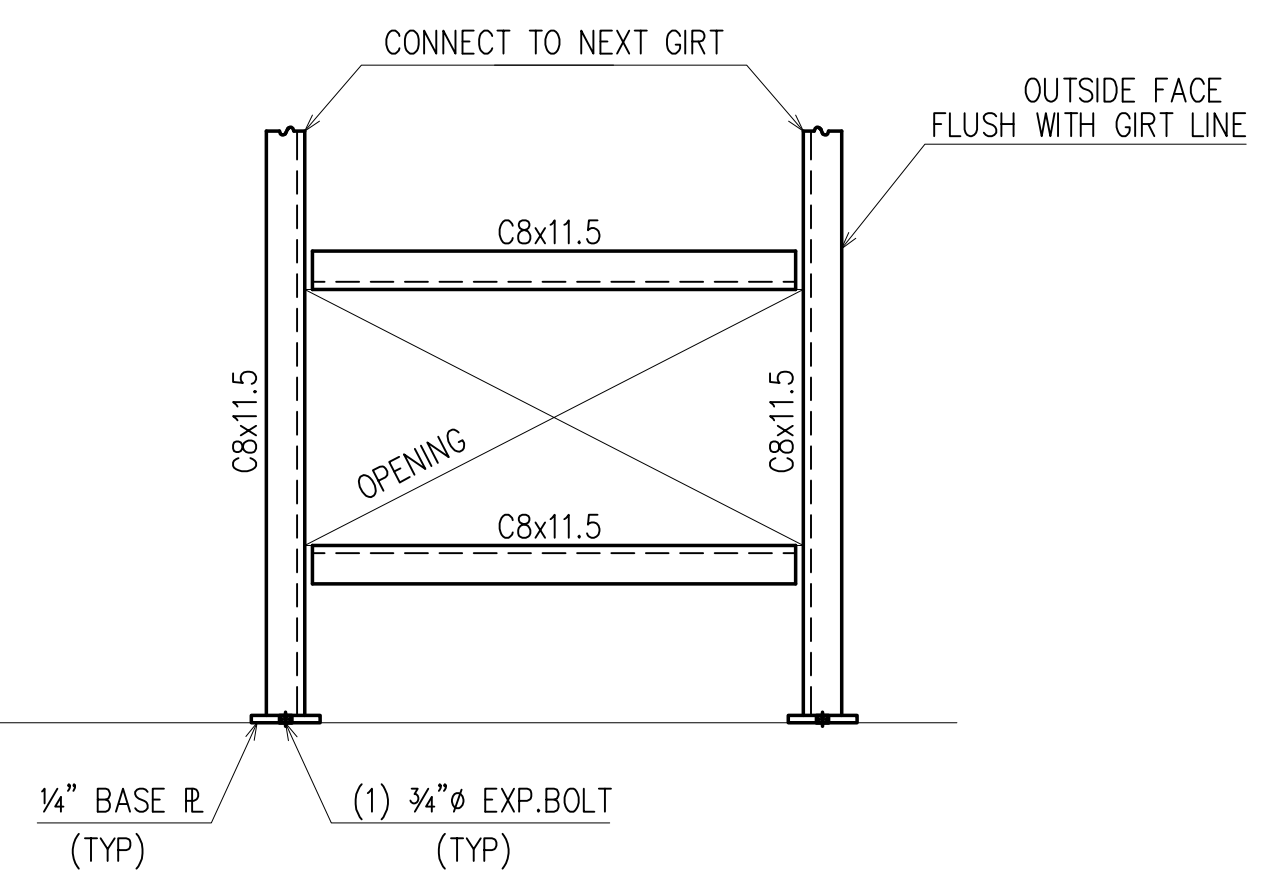
SECTION B E6



DETAIL C E6



TYPICAL MAN DOOR OPENING

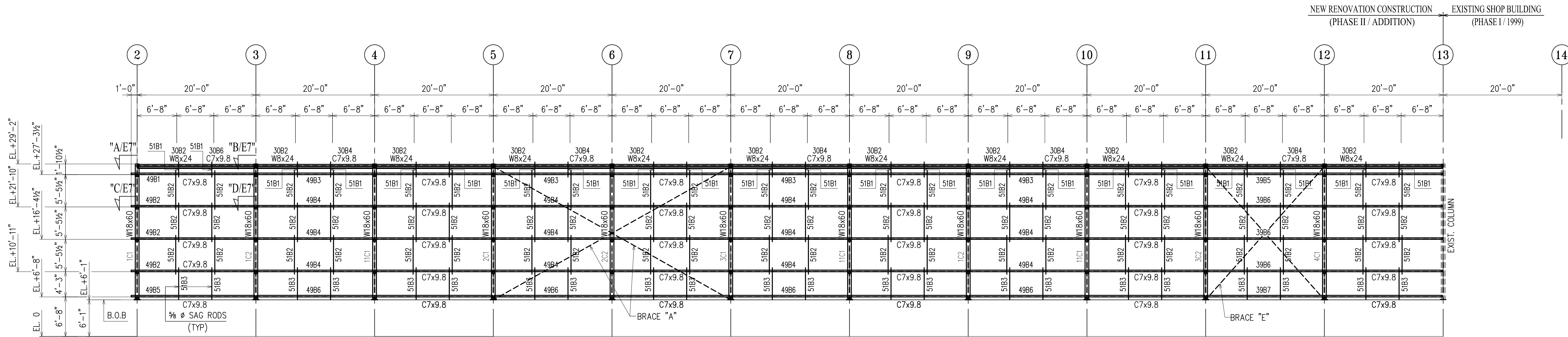


TYPICAL WALL OPENINGS

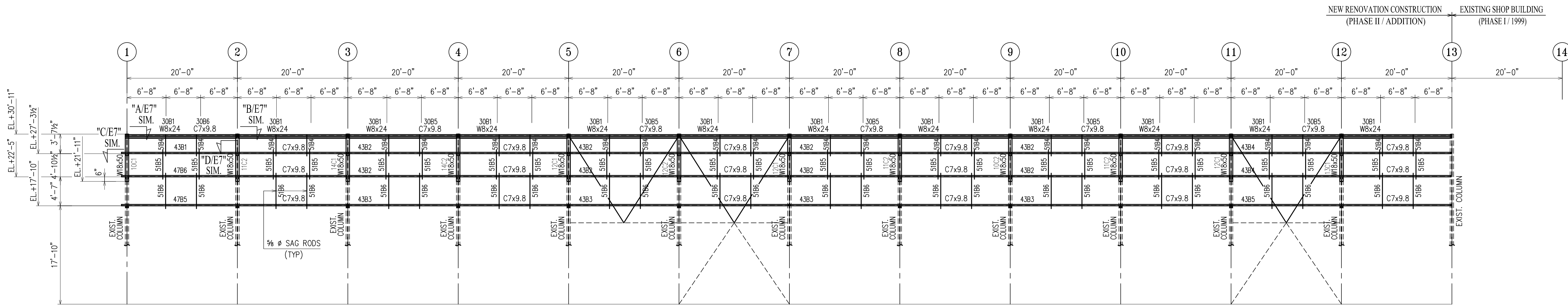
APPROVAL/REVIEW AUTHORITY:
 PLEASE REVIEW THIS DRAWING CAREFULLY.
 IT REPRESENTS OUR INTERPRETATION OF THE INTENT OF THE CONTRACT DOCUMENTS. HOWEVER, THE STEEL FABRICATOR AND THE STRUCTURAL STEEL DETAILER ASSUME NO RESPONSIBILITY FOR THE ACCURACY OF THE INFORMATION SHOWN ON THIS DRAWING. THIS IS THE RESPONSIBILITY OF THE BUYER.
 IT WILL BE ASSUMED THAT ALL INFORMATION SHOWN HEREIN HAS THE AFFIRMATION OF THE APPROVAL AUTHORITY UNLESS NOTED TO THE CONTRARY ON THIS DRAWING WHEN IT IS RETURNED FROM APPROVAL.
 SUBSEQUENT CHANGES TO INFORMATION SHOWN ON THESE DRAWINGS AFTER FIRST SUBMISSION WILL BE CONSIDERED AS CONTRACT CHANGES.
 ADOPTED BY THE NATIONAL INSTITUTE OF STEEL DETAILING 1977.

DRAWINGS PREPARED BY:	
DIVISION FIVE DETAILING INC.	
1770 Gallagher Drive	
Vineland, New Jersey	08360
Phone:	(856) 794-9474
Fax:	(856) 696-2027

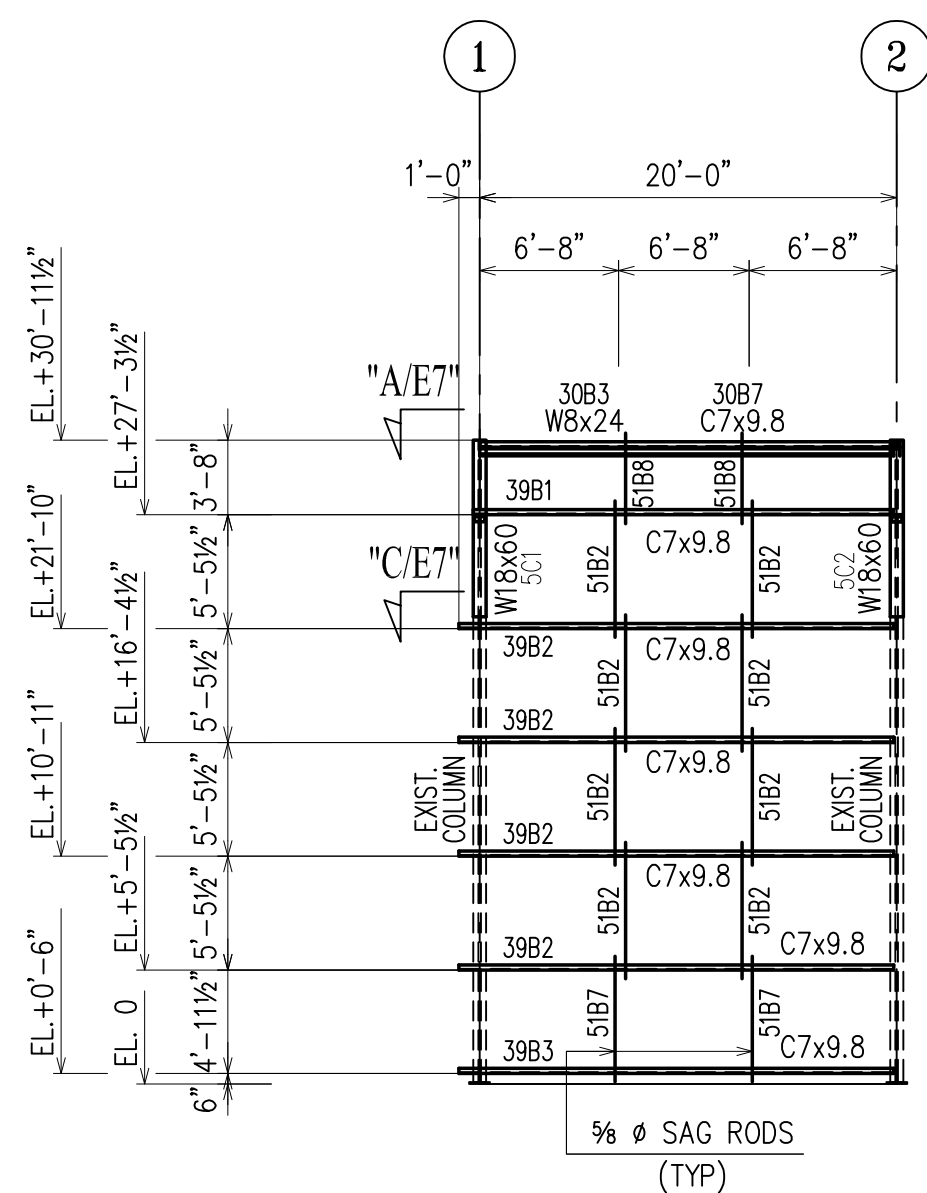
PAIN: ONE SHOP COAT U/NOTED					FOR FIELD
MATERIAL: GR. 50 U/NOTED					4th APPVL
HOLES: 13/16" U/NOTED					3rd APPVL
ELECTRODES: E70XX					2nd APPVL
TOTAL WEIGHT	NO DATE	DESCRIPTION	NO DATE	DESCRIPTION	1st APPVL
REVISIONS					DATE
CUSTOMER:					ISSUE
WEIR WELDING CO. INC.					
316 12th STREET CARLSTADT, NJ 07072					
PHONE: (201) 939-2284 FAX: (201) 939-5525					
DRAFTER	TN	PROJECT:	WEIR WELDING PLANT ADDITION (PHASE II)	CONTRACT NO	M-536-A
DATE	5/30/02	LOCATION:	CARLSTADT, NJ	DWG NO	E6
CHECKED		DWG TITLE:	SECTIONS & FRAME ELEVATIONS		
DATE					



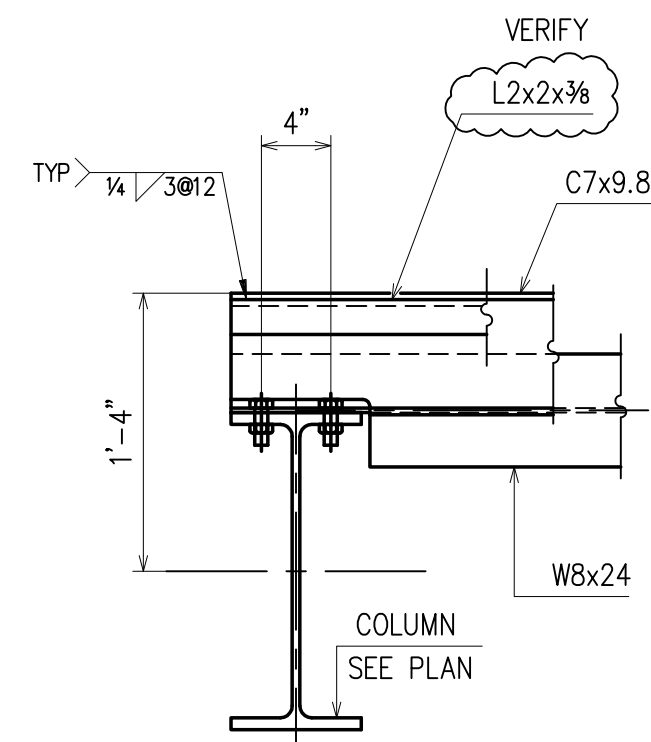
FRAME ELEVATION LINE - A



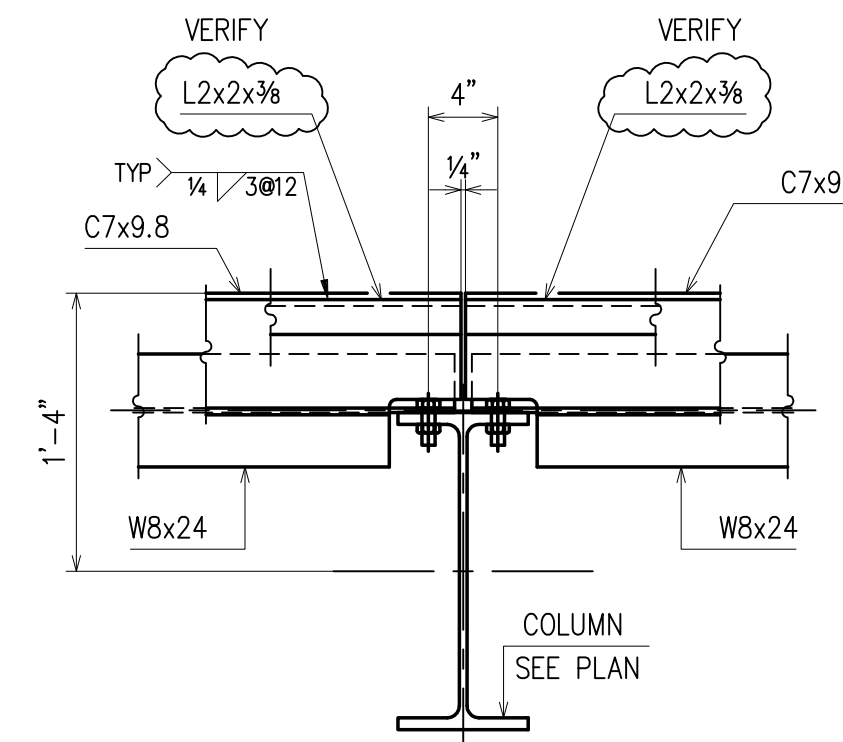
FRAME ELEVATION LINE - D



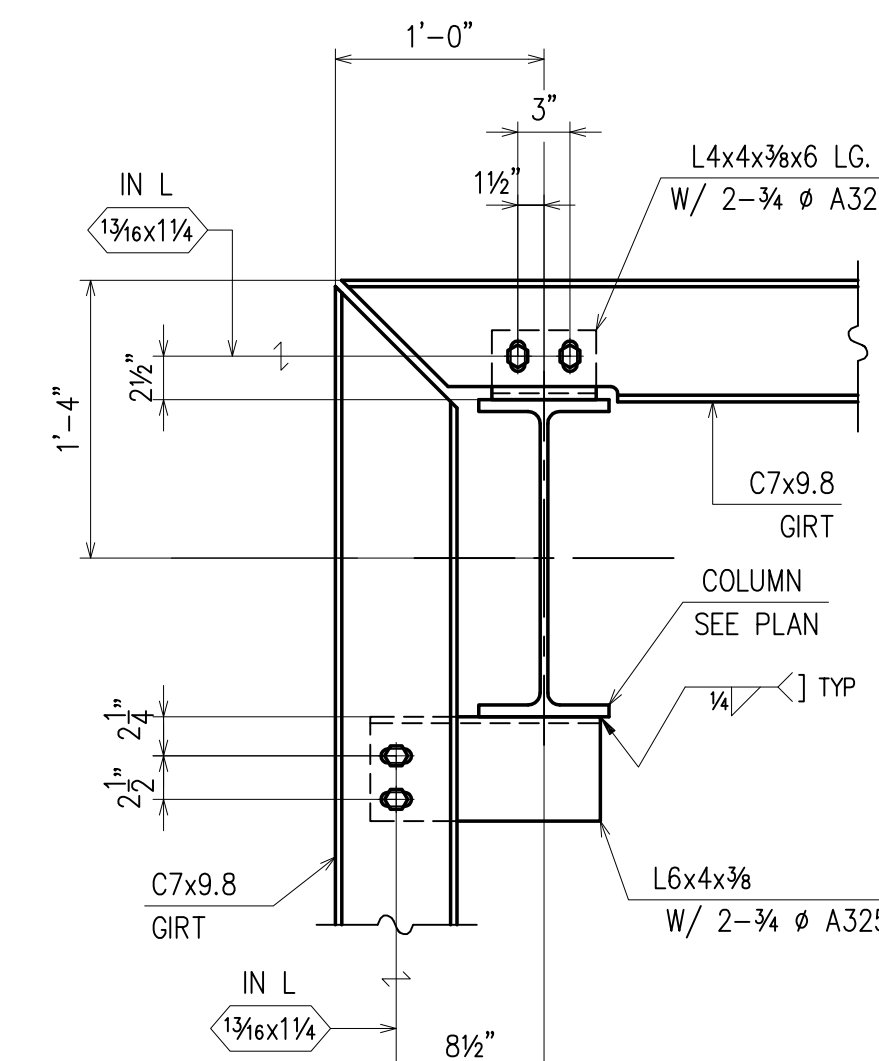
FRAME ELEVATION LINE - B



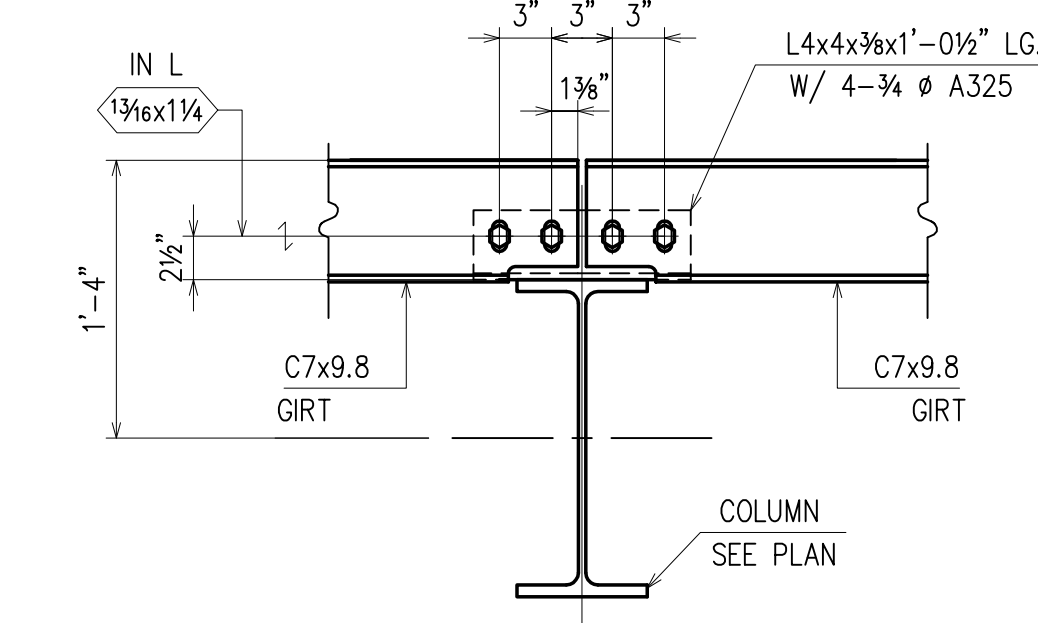
SECTION A
E7



SECTION B
E7



SECTION C
E7



SECTION D
E7

APPROVAL/REVIEW AUTHORITY:
PLEASE REVIEW THIS DRAWING CAREFULLY.
IT REPRESENTS OUR INTERPRETATION OF THE INTENT OF THE CONTRACT DOCUMENTS. HOWEVER, THE STEEL FABRICATOR AND THE STRUCTURAL STEEL DETAILER ASSUME NO RESPONSIBILITY FOR THE ACCURACY OF THE INFORMATION SHOWN ON THIS DRAWING. THIS IS THE RESPONSIBILITY OF THE BUYER.
IT WILL BE ASSUMED THAT ALL INFORMATION SHOWN HEREIN HAS THE AFFIRMATION OF THE APPROVAL AUTHORITY UNLESS NOTED TO THE CONTRARY ON THIS DRAWING WHEN IT IS RETURNED FROM APPROVAL.
SUBSEQUENT CHANGES TO INFORMATION SHOWN ON THESE DRAWINGS AFTER FIRST SUBMISSION WILL BE CONSIDERED AS CONTRACT CHANGES.
ADOPTED BY THE NATIONAL INSTITUTE OF STEEL DETAILING 1977.

DRAWINGS PREPARED BY:
DIVISION FIVE DETAILING INC.
1770 Gallagher Drive
Vineland, New Jersey 08360
Phone: (856) 794-9474
Fax: (856) 696-2027

PAIN: ONE SHOP COAT U/NOTED					FOR FIELD
MATERIAL: GR. 50 U/NOTED					4th APPVL
HOLES: 13/16" U/NOTED					3rd APPVL
ELECTRODES: E70XX					2nd APPVL
TOTAL WEIGHT	NO DATE	DESCRIPTION	NO DATE	DESCRIPTION	1st APPVL
REVISIONS					DATE

CUSTOMER:		WEIR WELDING CO. INC.			
		316 12th STREET		CARLSTADT, NJ 07072	
		PHONE: (201) 939-2284		FAX: (201) 939-5525	
DRAFTER	YG	PROJECT:	WEIR WELDING PLANT ADDITION (PHASE II)		CONTRACT NO
DATE	5/30/02	LOCATION:	CARLSTADT, NJ		M-536-A
CHECKED		DWG TITLE:	FRAMING ELEVATIONS		DWG NO
DATE					E7